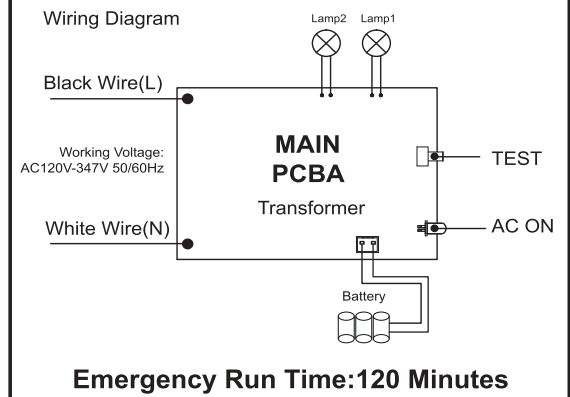


- Disconnect power before performing work on electrical equipment.
- For indoor use only.
- Do not let the power cords touch hot surfaces.
- Do not install in hazardous locations or near gas or electric heaters.
- The use of auxiliary equipment may cause danger and will void the unit's warranty.
- Do not use this equipment for purposes other than intended use.
- Servicing of this equipment should be performed by a qualified service technician.
- All electrical connections should be made following National and Regional electrical codes.
- Equipment should be mounted at heights that will not be tampered by unauthorized personnel.
- Allow the battery to charge for 24 hours before first use.

### WIRING DIAGRAM



USE FLEXIBLE CONDUIT ONLY



## Important

Battery in this unit may not be fully charged at the time electrical connection is made. Let battery charge for atleast 24 hours. Then normal operation of this unit should take effect. To check, press the "TEST" button, The light inside the unit should turn on. The lamps, when used according to these instruction with this unit equipment, are in accordance with the requirements of **CSA standard C22.2 NO.141**

### Installation Instructions J-Box Mounting

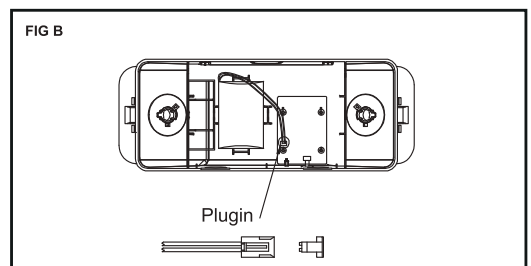
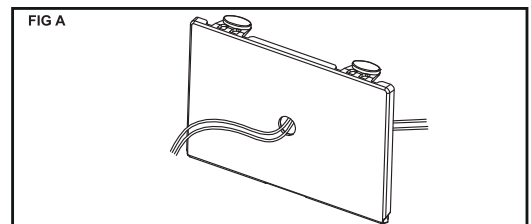
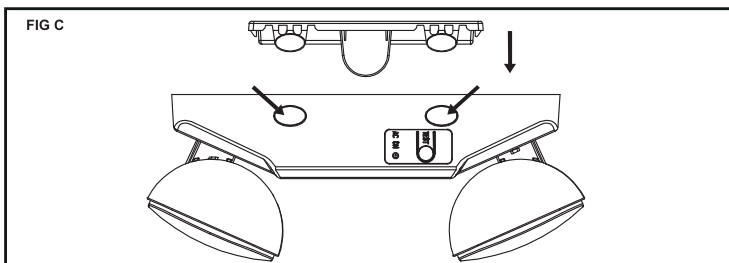
- 1.1 Feed fixture leads through main bottom case and connect AC power supply (Fig A).
- 1.2 Connect wires through J-Box .Main bottom case on J-Box and secure with screws.
- 1.3 Connect battery only after continuous AC power can be provided to the unit(Fig B).
- 1.4 Align snaps and push housing directly onto main bottom case (Fig C). Apply continuous AC power and press "TEST" button to check light.

### Installation Instructions Conduit

- 2.1 Secure main bottom case to wall surface. Route wires through hole in conduit flange and make conduit connection.
- 2.2 Connect battery only after continuous AC power can be provided to the unit (Fig B).
- 2.3 Align snaps and push housing directly onto main bottom case (Fig C). Apply continuous AC power and press "TEST" button to check light.

### Operation

1. During an electrical power failure, the lamps will automatically come on for a minimum of 120 minutes.
2. To test ,depress the "TEST" switch , the emergency lamps will illuminate. When the switch is released, the lamps will go off.



**NOTE: Max Mounting Height:10.4ft(3.1m)**