

Project : \_\_\_\_\_  
 Type : \_\_\_\_\_  
 Drawn by : \_\_\_\_\_  
 Catalogue No. : \_\_\_\_\_  
 Date : \_\_\_\_\_



### Specifications

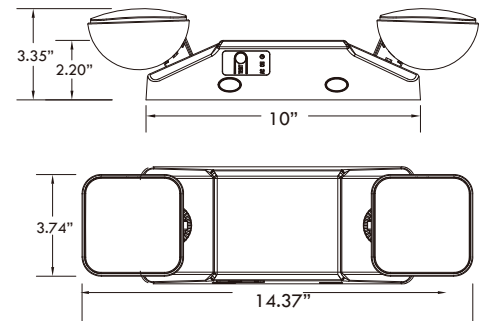
Model No.		BY-Z4430U
General	Input Watt	2W
	CCT	6500K
	Volts	AC 120-347V
	CRI	>45
	Beam Angel	84 degree
	Hours Rated	50000 hours
	Dimension	14.37"x3.35"x3.74"
Electrical	Operating Frequency	50/60Hz
	Power Factor	>0.3
	Operating Temperature	0°C To 40°C
Physical	Lens Material	Plastic
	Housing Color	White
	Weight (Kg)	0.5
Additional Information	MAX. remote LOAD	No
	Warranty	5 years
Compliance	Safety Listing	cULus-Listed
	Location Rating	Damp
	Energy Star	No
	DLC Approved	No
	DLC ID	No

## Features & Specifications

<b>Construction</b>	<ul style="list-style-type: none"> <li>• Long lasting LEDs</li> <li>• Plastic Housing</li> </ul>
<b>Mounting</b>	<ul style="list-style-type: none"> <li>• Wall mounting</li> </ul>
<b>Performance Data</b>	<ul style="list-style-type: none"> <li>• 3.6V 1200mAh Nickel Cadmium (NiCad) battery</li> <li>• Test switch and AC-On indicator</li> <li>• Backup Time:120mins</li> </ul>
<b>Compliances</b>	<ul style="list-style-type: none"> <li>• cULus certified for damp locations</li> </ul>

## Dimensions & Weights

Model	BY-Z4430U
Length in.(cm)	14.37(36.5)
Width in.(cm)	3.35(8.5)
Height in.(cm)	3.74(9.5)
Weight(kg)	0.5

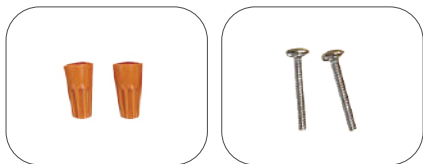


## Product Details

Product photograph of the Dual Head Emergency Light. Callouts highlight the following features:

- Horizontal rotation angle 330 degrees  
Vertical rotation angle: 110 degrees
- Long lasting LEDs
- High impact UV stabilized flame rated thermoplastic

## Accessories (Included)



## Rating Table

Model No.	Input Ratings				Emergency Output Rating		Emergency Run Time	Recharge Time
	Vac	Hz	Amps (mA)	Watts	Integral	Remote	Minutes	Hours
BY-Z4430U	120-347	50/60	30	2	2.4W	NA	120	24



Data is based upon tests performed in a controlled environment. Actual performance can vary depending on operating conditions. All products are subject to change or may be discontinued any time without notice. Please contact your Votatec customer service representative to confirm inventory levels at time of order

