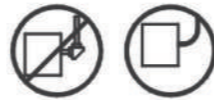


Combo Emergency Light

IMPORTANT SAFEGUARDS READ AND FOLLOW ALL SAFETY INSTRUCTIONS

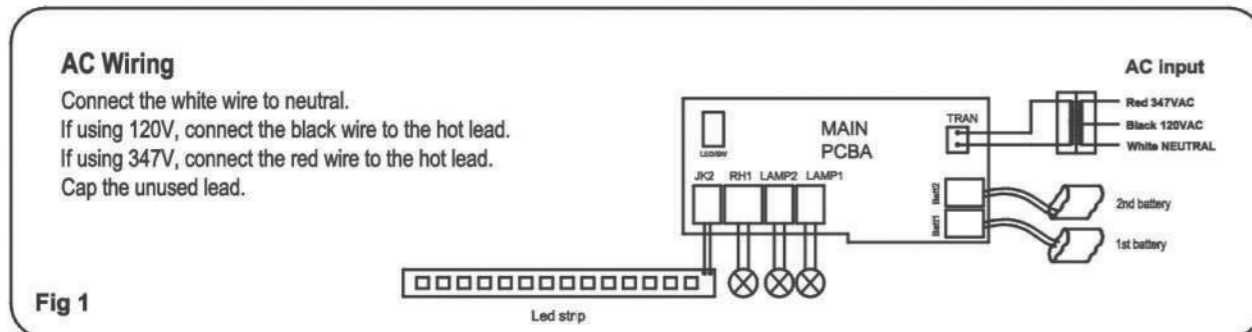
1. Review the diagrams thoroughly before beginning.
2. All electrical connections must be in accordance with local codes, ordinances, and the National Electric code.
3. Disconnect power at fuse or circuit breaker before installing or servicing.
4. Do not use outdoors.
5. Do not mount in hazardous locations, or near gas or electric heaters.
6. Do not let power cords touch hot surface.
7. Equipment should be mounted in locations and at heights where it will not be subjected to tampering by unauthorized personnel.
8. The use of accessory equipment not recommend by the manufacturer may cause an unsafe condition.
9. Do not use this equipment for other than intended use.
10. All servicing should be performed by a qualified personnel only.
11. Allow battery to charge for 24 hours before first use.

Use Flexible Conduit Only

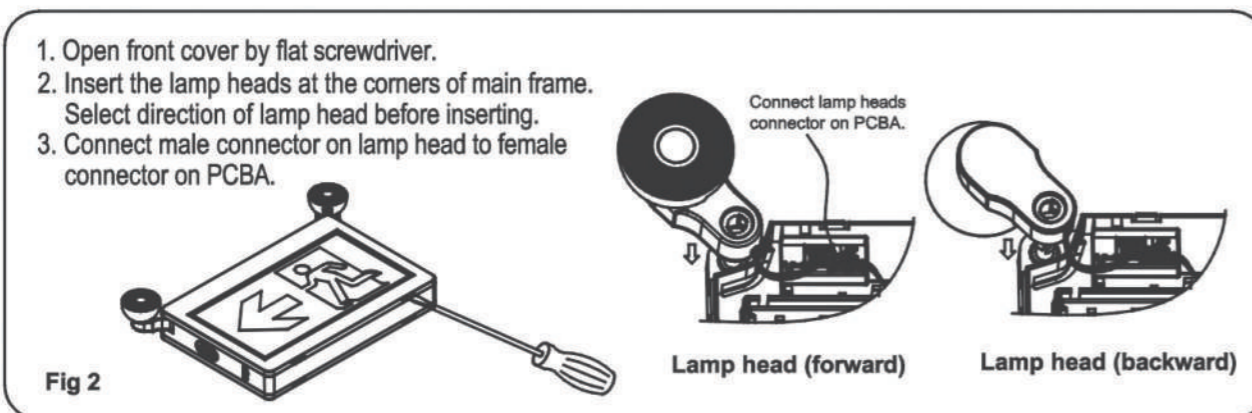


SAVE THESE INSTRUCTIONS

WIRING DIAGRAM (see Fig 1)

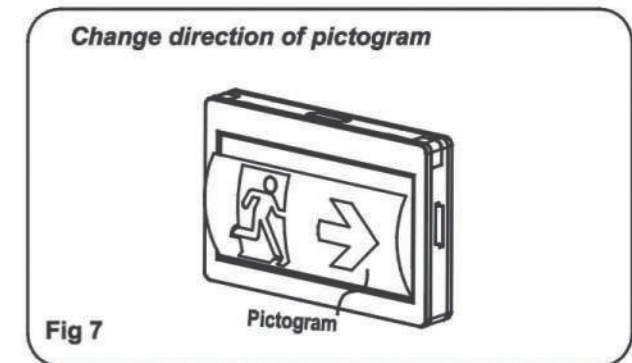
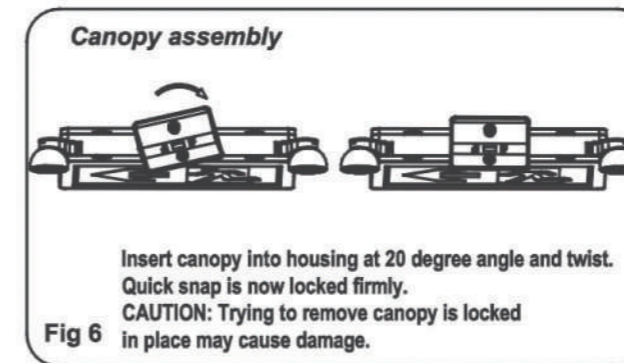
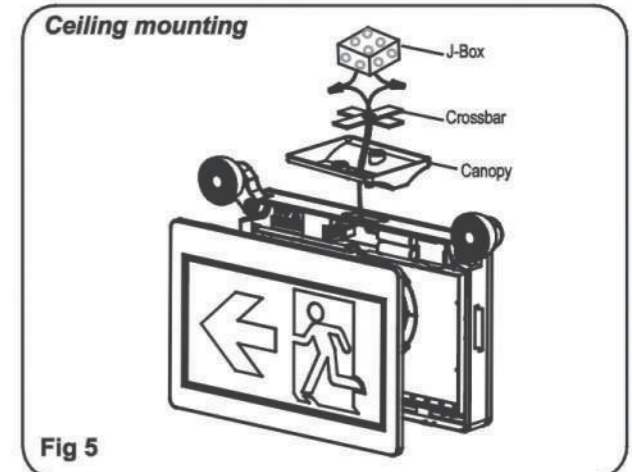
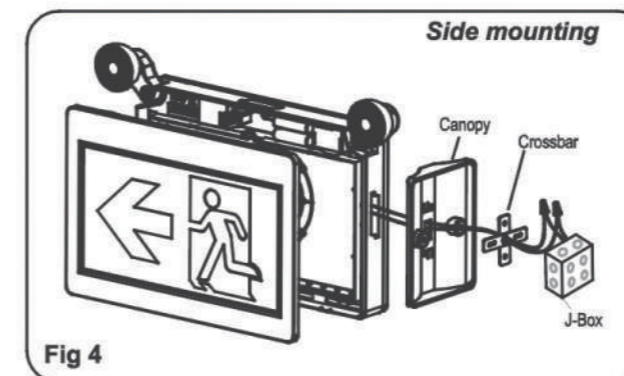
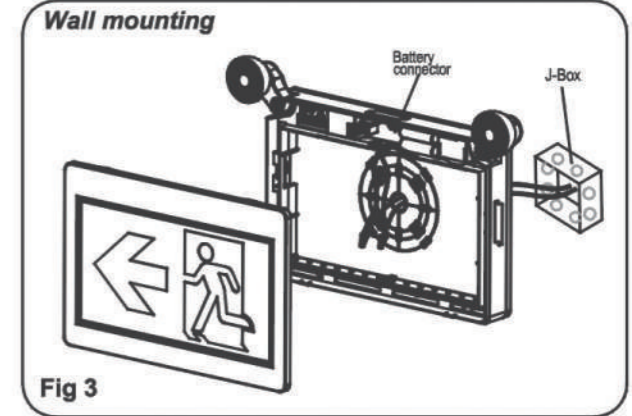


Assembly Lamp Heads (see Fig 2)



Mounting Instruction *The fixture suitable for wall mounting, side mounting, ceiling mounting.*

1. Open front cover and assemble 2 pcs lamp heads on the frame.
2. Knockout appropriate mount screw hole and cable hole, mount back plate on the wall after feed building AC supply cable into back plate(see Fig 3).
3. For ceiling and side mounting purpose, remove the mounting hole cover on the top or side of the unit, assemble the canopy (see Fig 4,5,6).
4. Attach crossbar to junction box, set the longer blade of crossbar touching the J-Box.
5. Route the proper wires through mounting hole out of housing.
6. Make electrical connections inside the J-Box as wiring diagram.
7. Push excess wire into J-Box, use screws tighten canopy to crossbar so that canopy is securely fastened and tight against the wall.
8. Attach battery connector to PC board, restore front cover on unit, adjust position of lamp heads as need.
9. If pictogram direction assembled not suitable, pictogram can take out for change direction or replace pictogram, and then insert into the diffuser easily(See Fig 7).



Connecting Remote Heads (see Fig 8)

Using 1pc battery, no remote capability.
Using 2pcs battery with remote capability.
Connect remote heads extension wire to remote wire, yellow is positive(+), purple is negative(-). connect wires using wire nuts.
Remote capability reference below:
JRMECWRC has max. 3.6V 2W remote capabilities.
JRMECWHORC has max. 3.6V 4W remote capabilities.

