

LED Retrofit Kit (Dimmable)

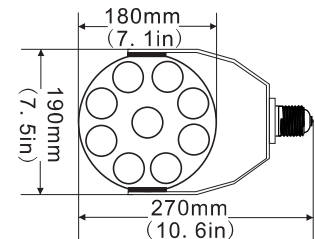


BB-SDD-150WD1-E39
 BB-SDD-150WD1-HV-E39
 BB-SDD-240WD1-E39

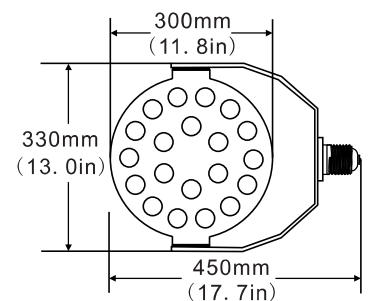
Specifications

Power	150W		240W
Model	BB-SDD-150WD1-E39	BB-SDD-150WD1-HV-E39	BB-SDD-240WD1-E39
Luminous Flux	19500lm		31200lm
Replacement	HPS 600W		HPS 700W
DLC certification (only -E39)	Y		
Light Source	SMD LED		
Luminous Efficacy	>130lm/w		
Operation Temp.	-40 to +45°C		
CCT	5000K		
CRI	85		
Life Span	50,000 hours at 25°C		
Voltage	100-277VAC	347-480VAC	120-277VAC
Driver	SOSEN		
Dimming	3 in 1 Dimming Driver(1-10VDC, 10V PWM signal ,resistance)		
Beam Angle	120°		
Lamp Base	E39		
PF	>0.95		
Warranty	5Years		

Dimensional Drawing



150W



240W



LED Retrofit Kit (Dimmable)

Features

1. Beam angle: 120 degrees.
2. Aluminum fins heat sinks and active air exchanging cooling system in order to speed up heat dissipation.
3. It's major to replace the CFL/MH/HID/HPS.
4. Green, energy saving, long and reliable life of 50,000 hours.
5. No RF interference, No IR/UV radiation, no mercury pollution.
6. Wide colour availability in degrees Kelvin(K), 2700-6700K.
7. Streamline exterior design, beautiful appearance.
8. Environment friendly, energy saving (70~80%).
9. Special circuit design, each LED work separately, avoiding the single broken LED influence problem.
10. New temperature protection module.

Benefits

1. MH/HPS/HID/MHL/CFL lamp retrofit
2. Screw Base Direct Install by bypass ballast
3. 100% Die Casting Heat Sink
4. Universal Base E39
5. ROHS / CE / DLC / ETL

Luminous Intensity Distribution

