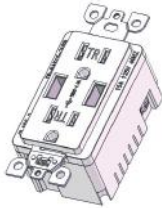


INSTALLATION INSTRUCTIONS

TR-BAS15-2USB

Dual USB Charger with
15A Duplex Tamper Resistant Receptacle



◆ SPECIFICATION

Receptacle Rating.....15Amp, 125VAC
 USB Rating.....Two USB ports with total 4 Amp, 5VDC
 Wire Terminals.....#14-#10AWG
 Operating Temperature.....-4 to 140°F (-20 to 60°C)
 USB Compatibility..USB 1.1/2.0/3.0 devices, including Apple products
 Strip Length.....0.5inch(back wire holes). 1inch(screw terminal)

◆ FEATURES

- 2USB ports with a super high-current power of 4 Amp, 5VDC
- Charge most compatible electrical device directly without an adapter
- Tamper-Resistant Shutters provide compliance with 2011 NEC Code
- Replace a standard duplex receptacle
- Back and side wire for easy installation
- UL listed

◆ DESCRIPTION

The TR-BAS15-2USB USB Charger/Tamper-Resistant Receptacle offers two USB charging ports and duplex Tamper-Resistant Receptacle. This TR-BAS15-2USB is able to charge any current electronic devices simultaneously, including smart phones, tablets, e-readers, cameras and MP3 players. What's more, it has the capability to charge new device required higher current rating in the future. All you will need is a USB cable to connect to one of the two USB ports.

◆ APPLICATION

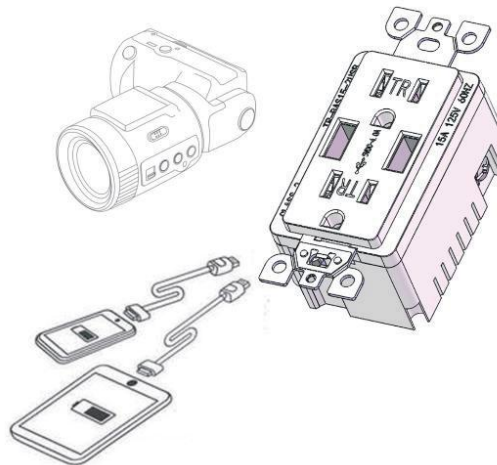
- | | |
|-------------------|----------------|
| ■ Cafes | ■ Labs |
| ■ Office | ■ Hospital |
| ■ Kitchens | ■ Salons |
| ■ Bedrooms | ■ Hotels |
| ■ Restaurants | ■ Schools |
| ■ Meeting Rooms | ■ Libraries |
| ■ Airport Lounges | ■ Workstations |

◆ COMPATIBILITY

The TR-BAS15-2USB Charger-Resistant Receptacle is compatible with a wide range of electronic devices including, but not limited to the following:

- | | |
|------------------------------|--------------------------------|
| -iPad® | -iPhone® |
| -iPad® Mini | -iPod® |
| -Tablets | -GPS |
| -Mobile Phones | -Galaxy Tab™ |
| -Blackberry®, Android Phones | -Bluetooth™ Headsets |
| -Windows® Phone by HTC | -Digital Cameras |
| -Kindle™, Nook e-reader | -Other USB compatible products |

If the devices combined power requirements exceed the power capacity of the USB Ports, the charger will automatically shut down to protect your devices.



Charges most USB powered devices

◆ INSTALLATION

WARNING: To avoid fire, shock, or death. Turn off power at circuit breaker or fuse and test that power is off before wiring.

AVERTISSEMENT: Pour éviter un incendie, des chocs ou le décès, couper le courant au disjoncteur ou au fusible et vérifiez que l'alimentation est coupée avant de cabler.

To be installed and /or used in a accordance with appropriate electrical codes and regulations.

Pour être installé et/ou utilisé conformément aux codes et aux

règlements électriques appropriés.

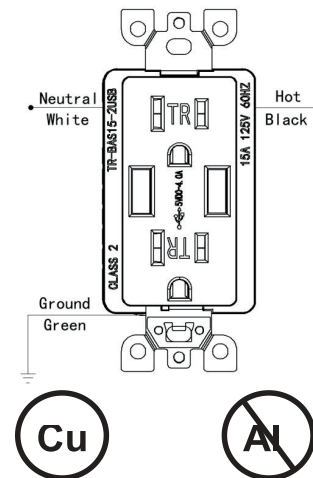
- 02-

If you are unsure or uncomfortable about performing the installation, please consult a qualified electrician.

Si vous n'êtes pas sûr ou mal à l'aise d'effectuer l'installation, vous pouvez consulter un électricien qualifié.

1. For retrofit applications, remove wall plate and mounting screws.
2. Carefully remove the existing receptacle from the box.
3. Disconnect the wiring from the old receptacle.
4. Connect the TR-BAS15-2USB per wiring diagram: black lead to hot wire, white lead to neutral wire, green lead to ground wire.
5. Tighten every screws and no bare conductors are exposed, 9-12 pound inch(1.0-1.4Nm) of torque.
6. Insert the TR-BAS15-2USB in wall box with screws provided and mount wall plate.
7. Restore power at circuit breaker, installation is complete.

Wiring Diagram



◆ WARRANTY INFORMATION

Our company warranties this product to be free of defects in materials and workmanship for a period of two(2) years, There are no obligations or liabilities on the part of our company for consequential damages arising out of, or in connection with, the use or performance of this product or other indirect damages with respect to loss of property, revenue, or profit, or cost of removal, installation or reinstallation.