

Adjustable LED Wall Pack



Specification		
Model	CES-LS-WL- 40W	CES-LS-WL- 60W
Lumens	5200 lm	7800lm
Efficacy	130 lm/W	
CCT	5000K	
Beam Angle	Full Cut-Off	
CRI	> 70	
LED	Lumileds 3030	
L70@25°C	> 60,000 hours	
Color Finish	White	
Power	40W	60W
Input Voltage	AC 120 -277V	
Dimming	1- 10 V	
Power Factor	> 0.9	
Surge Protection	4KV	
Temperature	-40° F - 122°F	
Mounting	Surface Mount	
Listing	UL / DLC / 5 Years	
IP Rating	IP65	
Warranty	5 Years	

Construction

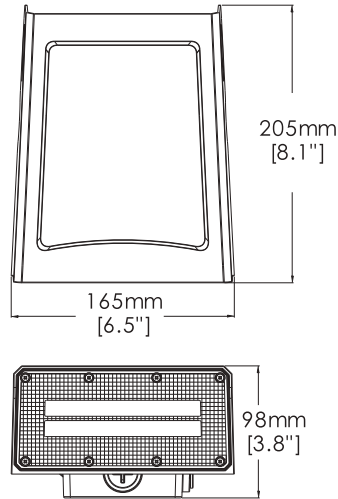
With rugged die-cast aluminum housing, stainless steel hardware along with a sealed and gasketed optical compartment make Votatec wall pack virtually impenetrable to contaminants.

It's innovative adjustable wall pack with full cut-off design, a tilt mechanism allows for precise light aiming, minimizing glare and light spillover. The Wal-Pak wall luminaire is ideal for outdoor walkways, pathway illumination, building entrances, parking areas, schools, hospitals, vehicle ramps, schools, tunnels, stairways and loading docks. UL/cUL wet location listed.



Adjustable LED Wall Pack

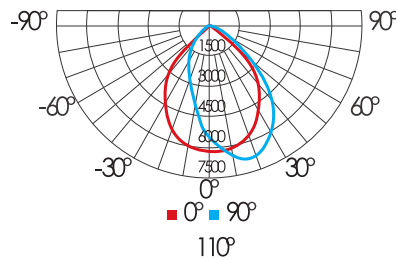
Dimensions & Packing Info



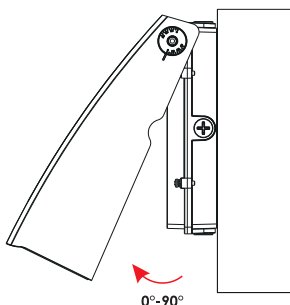
CES-LS-WL40-W

Model	Wattage	CTN Size
CES-LS-WL- 40W	40W	16.5"x15.5"x10.2"
CES-LS-WL- 60W	60W	13"x10.2"x5.9"

Photometry



Installation



Surface Mount

Please also make sure the wire connection is fixed perfectly before using.

- This product should be installed by a fully certified electrician in accordance with local building and electrical codes.
- Due to risk of electric shock, ensure that the main power source and circuit breakers are switched off before performing any installation or wiring procedures.
- Failure to properly support the fixture during installation may cause damage or injury, for which the manufacturer is not responsible.
- Ensure the light hook is securely mounted and will support the weight of the fixture.
- Disconnect product and allow cooling prior to any further steps.
- Please read the instruction manual before installation and keep it for future reference.