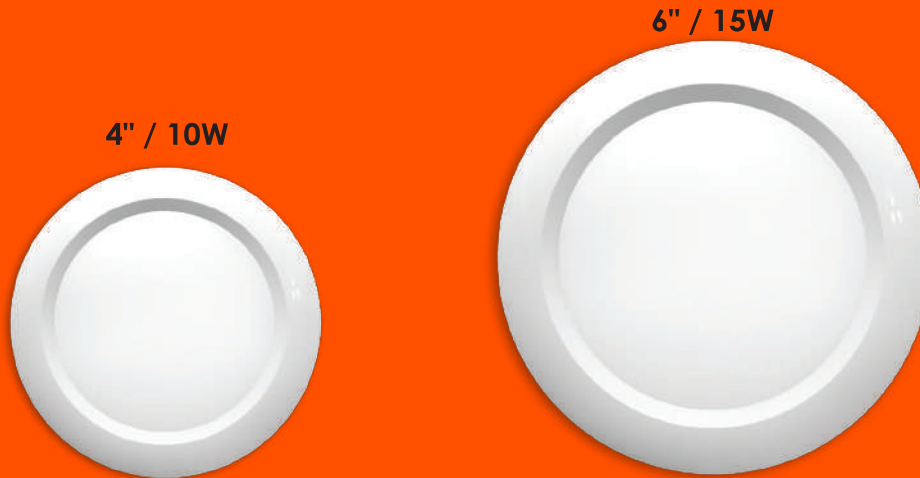


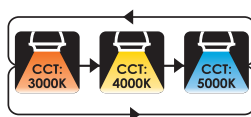
4" & 6" Disk Light LED



MODEL	POWER	VOLTAGE	LUMENS	DIMMABLE	Beaming Angle(°)	size
HM15-DR4-10W-120-3CCT	10W	AC120V	700±10%	Triac	120	Φ 4.88" x 1.25"
HM15-DR6-15W-120-3CCT	15W	AC120V	1000±10%	Triac	120	Φ 6.85" x 1.35"

Features:

- 4" & 6" Available
- Even light, No dark spots
- Dimmable
- 3 CCT tunable
- Wet location
- 5 Years warranty
- Easy installation for 4" & 6" J-Box, CAN

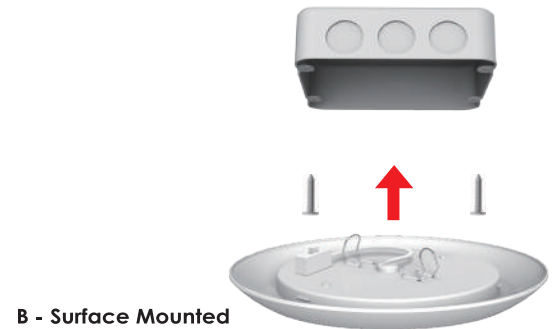


Installation:

2 in 1 Recessed & Surface Mounted



A - Retrofit



B - Surface Mounted

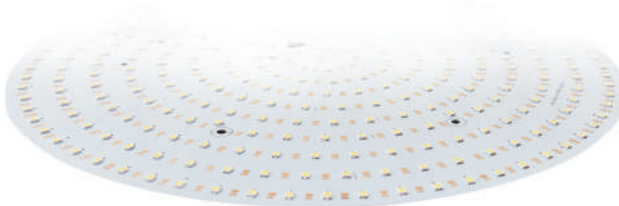
Light Distribution

Perfect LED Mounting

Uniform Light Distribution

Black dots & shadow on the light, un-uniform lighting, which are the headache in LED panel field.

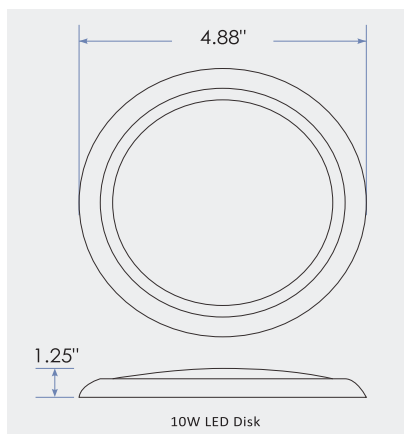
The LED Trip



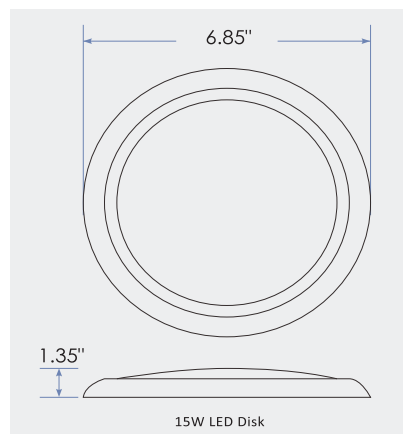
- SMT technology, ensuring accurate positions for LEDs on FPCB
- Good quality LGP & diffuser plate
- Stable design for the whole structure

Above ensures uniform lighting, no black dots & shadow.

Dimension:



10W LED Disk



15W LED Disk

Polar Curves Wide Distribution

Light Distribution Curve

