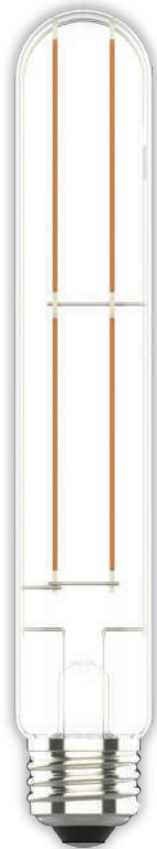


Project : _____
 Type : _____
 Drawn by : _____
 Catalogue No. : _____
 Date : _____



VO-FT30W6-26-XX-D



VO-FT30-WH-W6-120

Specifications

Model No.		<input type="checkbox"/> VO-FT30W6-26-XX-D	<input type="checkbox"/> VO-FT30-WH-W6-120
General	CCT	<input type="checkbox"/> 3000K <input type="checkbox"/> 4000K <input type="checkbox"/> 5000K	<input type="checkbox"/> 3000K <input type="checkbox"/> 4000K <input type="checkbox"/> 5000K
	Watts	6W	6W
	Lumen	700Lm	700Lm
	Base	E26	E26
	Volts	120V	120V
	CRI	>80	>80
	Beam Angle	360°	360°
	Hours Rated	15,000Hrs	15,000Hrs
	Product Size	7.38"(H) x1.18"(Φ)	7.38"(H) x1.18"(Φ)
Electrical	IP Grade	IP20	IP20
	Power Factor	>0.7	>0.7
	Storage Temperature	-25°C ~ 40°C	-25°C ~ 40°C
	Operating Temperature	-25°C ~ 40°C	-25°C ~ 40°C
Physical	Lens Material	Glass	Glass
	Bulb Head Color	Clear	Clear
	Weight (g)	45 (±5g)	45 (±5g)
Additional Information	Additional Info	Dimmable	Dimmable
	Rated for Enclosed Fixture	Yes	Yes
	Warranty	3Years	3Years
Compliance	Certification	cUL	cUL

Features & Specifications

Performance Data

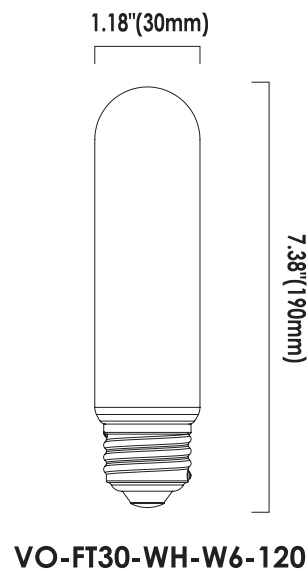
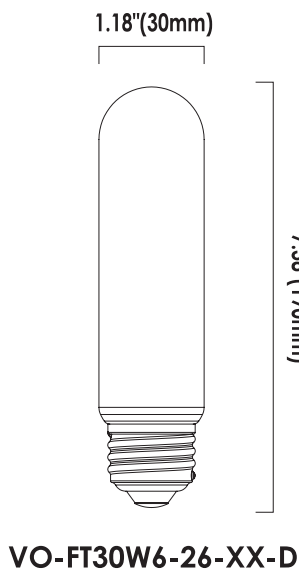
- Available color temperature in 3000K/4000K/5000K
- 80+ CRI
- Electrical ratings : AC 120V 50-60Hz
- Estimated life: 15,000 hours
- Dimming Capable
- 2.5kV surge protection (standard)
- -20°C~+40°C (the best in 25°C)

Compliances

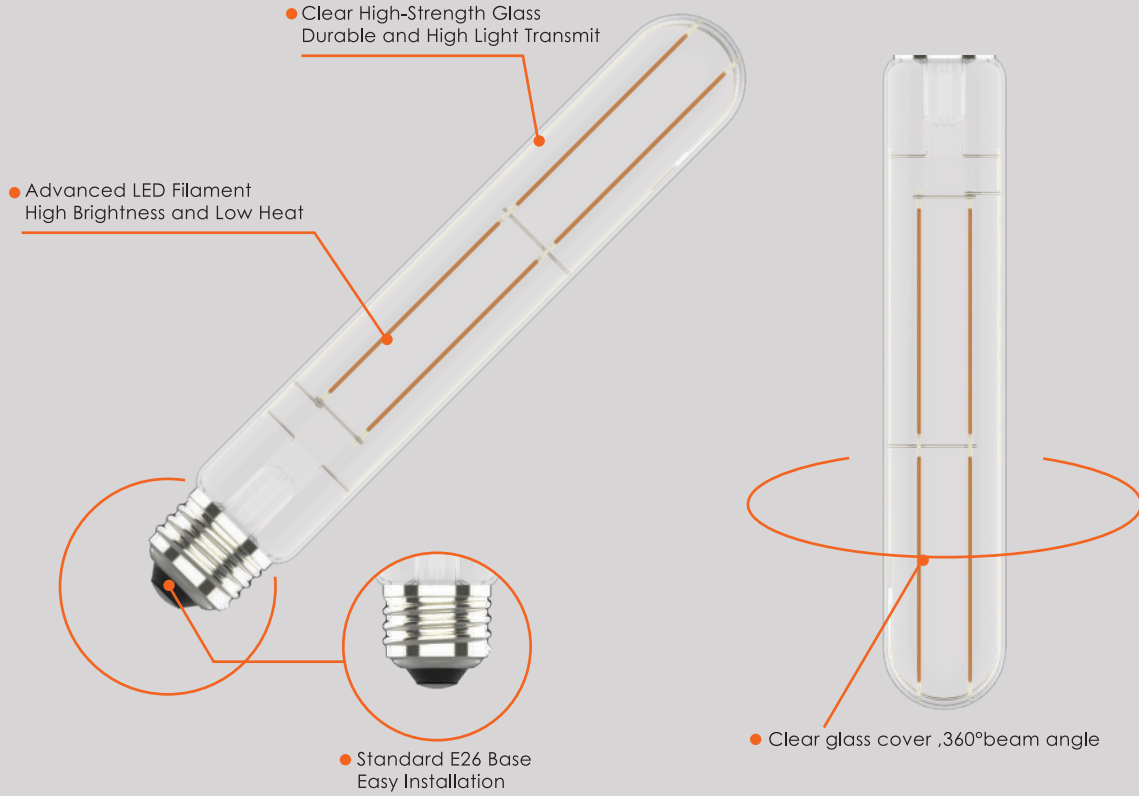
- cUL
- IP20

Dimensions & Weights

Model	VO-FT30W6-26-XX-D	VO-FT30-WH-W6-120
Diameter in. (mm)	1.18(30)	1.18(30)
Height in. (mm)	7.38(190)	7.38(190)
Net weight (g)	45 (±5g)	45 (±5g)

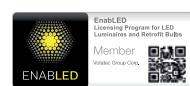


Product Details



Lumen Details

Model No.:	Watts (W)	2700K		3000K		4000K		5000K		6000K	
		Lumen Output (LM)	Efficiency (LM/W)	Lumen Output (LM)	Efficiency (LM/W)	Lumen Output (LM)	Efficiency (LM/W)	Lumen Output (LM)	Efficiency (LM/W)	Lumen Output (LM)	Efficiency (LM/W)
VO-FT30W6-26-XX-D	6W	—	—	775	140	738	133	756	139	—	—
VO-FT30-WH-W6-120	6W	—	—	775	140	738	133	756	139	—	—



Data is based upon tests performed in a controlled environment. Actual performance can vary depending on operating conditions. All products are subject to change or may be discontinued any time without notice. Please contact your Votatec customer service representative to confirm inventory levels at time of order

