

Slim Running Man Emergency Light

Specifications

Features:

- . Thermal plastic housing & acrylic panel
- . High Efficiency LED
- . 180° Rotation at different angle
- . Universal wall mount and ceiling mount
- . Suitable for damp location
- . Three years warranty for battery
- . Five years warranty for electrical parts and housing

Electrical Specifications

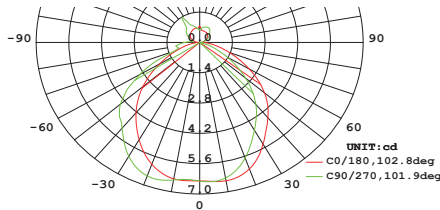
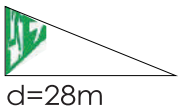
- . 120/277/347 VAC Input
- . 3.5W Max power consumption
- . Charging time: 24 Hours
- . Emergency time: 3 Hours
- . Push button test switch
- . 3.6V 900mA Nickel Cadmium battery
- . Operating temperature: 32° F (0°C) to 104° F (40°C)



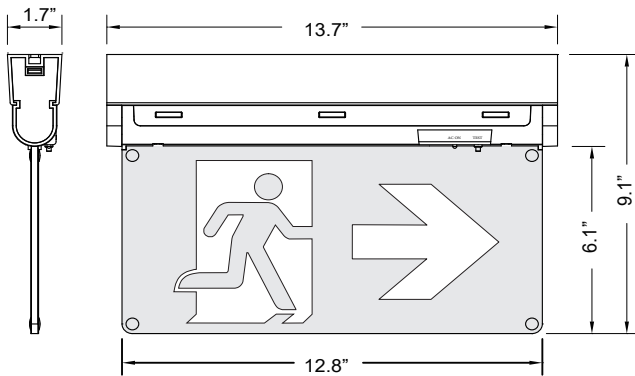
Pictogram Legends



Visible distance Data, Photometric Data



Dimensions:



INPUT VOLTAGE(VAC)	120/277/347
AC INPUT RATING	120V =0.018A/1.8W 277V =0.010A/2.2W 347V =0.009/2.6W
LIGHTING SOURCE	LED
DC POWER/VOLTAGE(NUCLEUS)	3.6V DC=0.3W

DC INPUT RATING	3.15DC=0.39W
	3.6DC=0.29W
	4.2DC=0.09W
SELF POWERED UNIT INPUT RATING	120V =0.018A/1.8W
	277V =0.010A/2.2W
	347V =0.009/2.6W
ENERGY TRANSFER	TRANSFORMER DRIVEN

