

### IMPORTANT SAFEGUARDS

#### READ AND FOLLOW ALL SAFETY INSTRUCTIONS

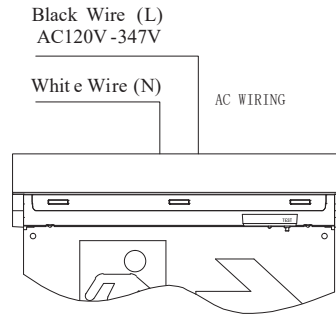
- Review the diagrams thoroughly before beginning.
  - All electrical connections must be in accordance with local codes, ordinances and the National Electric Code.
  - Disconnect power at fuse or circuit breaker before installing or servicing.
  - Do not use outdoors.
  - Do not mount in hazardous locations or near gas or electric heaters.
  - Do not let power cords touch hot surfaces.
  - Equipment should be mounted in locations and at heights where it will not be subject to tampering by unauthorized personnel.
  - The use of accessory equipment is not recommended by the manufacturer.
  - Do not use this equipment other than intended use.
- All servicing should be performed by qualified personnel only.*  
*Allow battery to charge for 24hrs before first use.*

#### CIRCUITRY

- Emergency duration: ≥ 3 hours
- Light Source: Ultra bright LED
- Recharge time: 24 hours
- Color temperature: 6500K
- Output Wattage: 1.5W
- Ni-cad Battery: 3.6V 900mAh

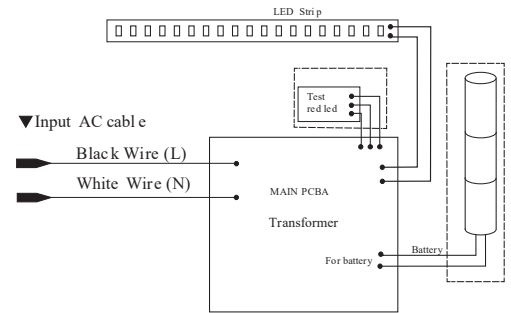
### WIRING DIAGRAM

#### AC WIRING

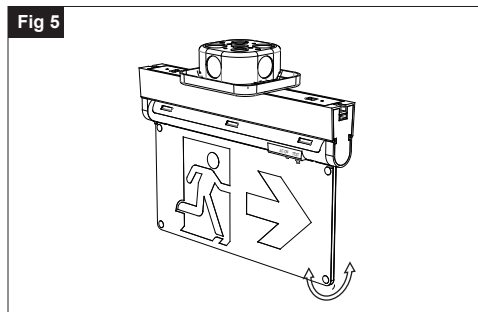
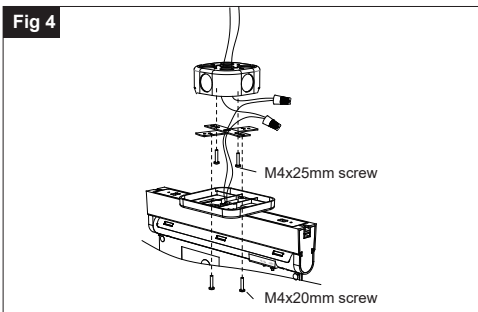
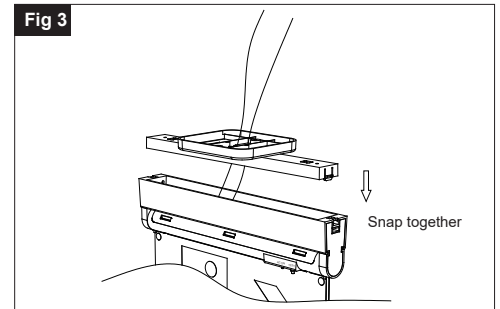
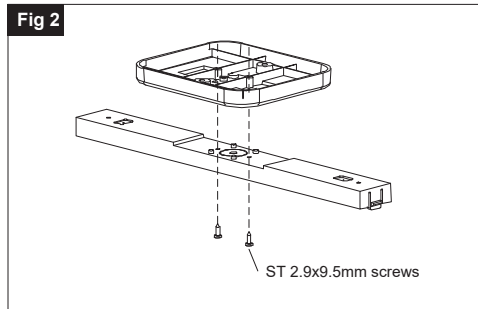
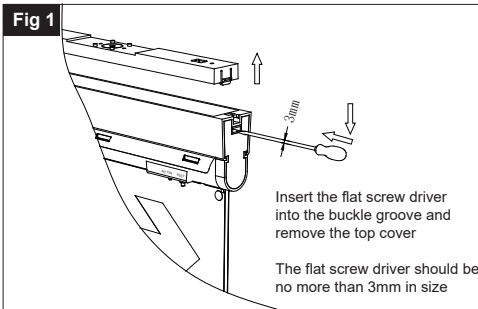


AC WIRING  
 Working Voltage:  
 AC120V - 347V 50/60Hz

Black Wire (L)  
 White Wire (N)  
 -----  
 Green Wire (E)

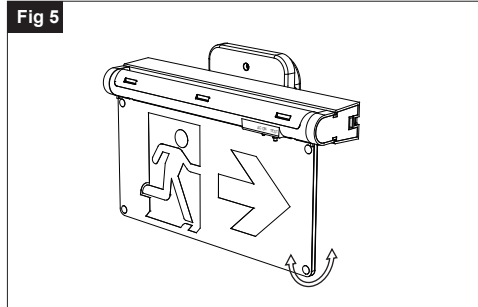
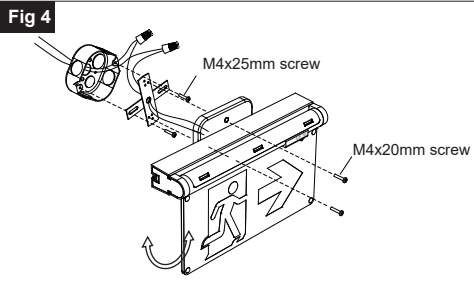
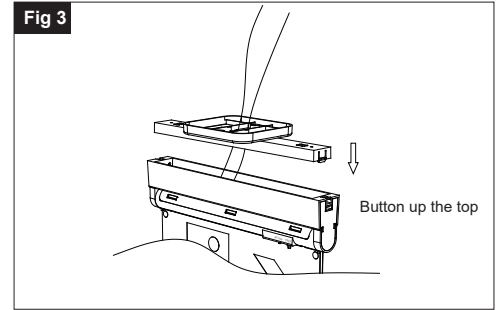
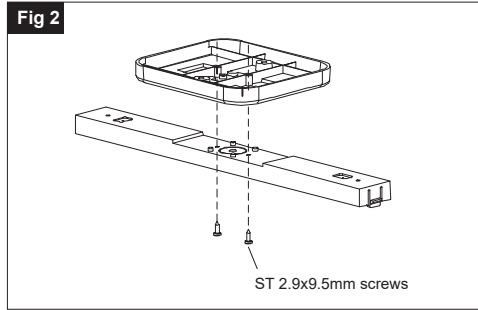
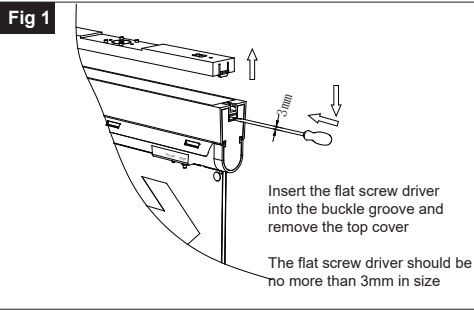


### CEILING MOUNT



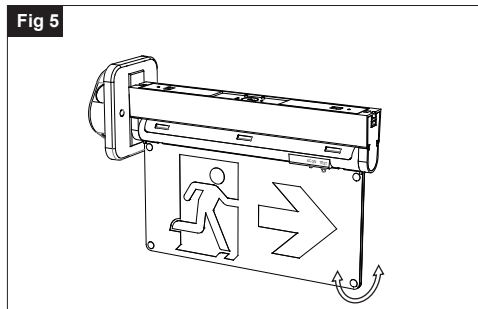
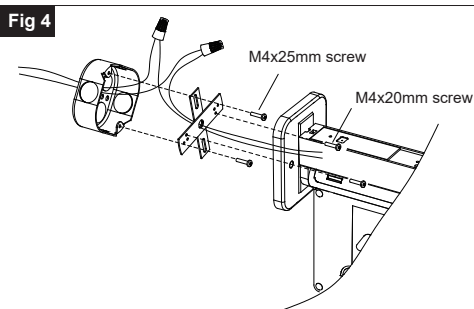
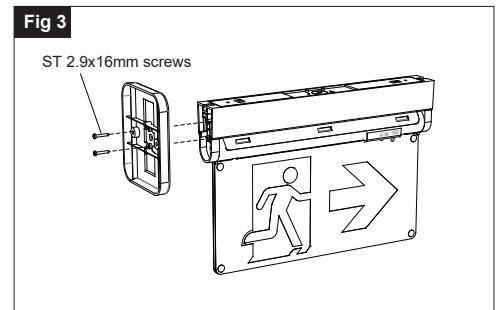
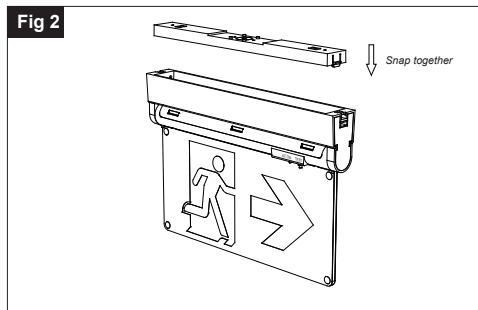
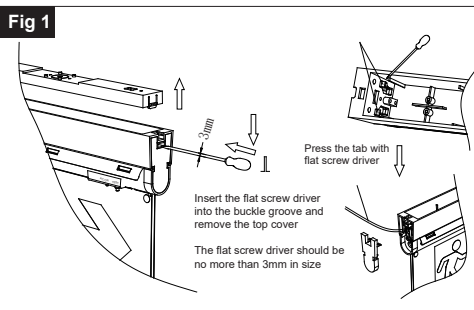
1. Remove the top cover using flat driving(Fig1)
2. Connected the top cover with the canopy using the screws(Supplied) .(Fig2)
3. Feed AC supply wire through top cover and canopy center hole,snap top cover and the fixture together.(Fig3)
4. Assemble canopy onto Junction box with screws (supplied) and make proper wire connections.  
 Black Wire (L); White Wire (N);(Fig4)
5. Use screws (supplied) to tighten canopy to mounting plate (spider plate/cross bar)(Fig5)
6. The unit can be installed on any surface, you may rotate the Acrylic panel in any angle from 0 degrees to 180 degrees.(Fig5)

## WALL MOUNT



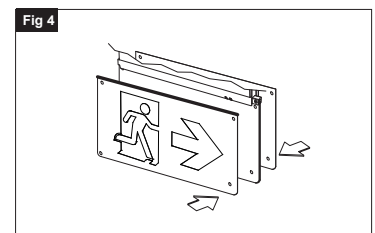
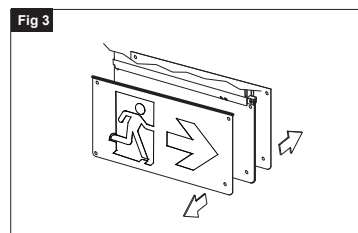
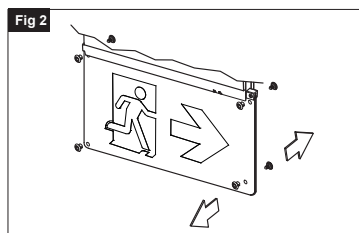
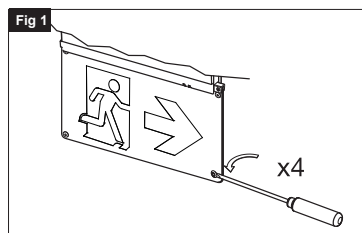
1. Remove the top cover using flat driving(Fig1)
2. Connected the top cover with the canopy using the screws (Supplied) .(Fig2)
3. Feed AC supply wire through top cover and canopy center hole, snap top cover and the fixture together.(Fig3)
4. Assemble canopy onto Junction box with screws (supplied) and make proper wire connections.Black Wire (L); White Wire (N);(Fig4)
5. Use screws (supplied) to tighten canopy to mounting plate (spider plate/cross bar)(Fig5)
6. The unit can be installed on any surface, you may rotate the Acrylic panel in any angle from 0 degrees to 180 degrees.(Fig5)

## WALL SIDE MOUNT



1. Remove the top cover scerw driver and remove the end cap. using a flat screw Pull out the wires through the side.(Fig1)
2. Snap the top cover into the fixture.(Fig2)
3. Pullout all AC supply wires and feed the wires through the holes of end cap and then canopy.(Fig3)
4. Assemble canopy and end cap to metal bracket with screws (supplied) and make proper wire connections.(Fig4)
5. Using screws (supplied) tighten canopy to spider plate (crossbar). (Fig5)
6. The unit can be installed on any surface, you may rotate the +Acrylic panel in any angle from 0 degree to 180 degree. (Fig1)

## CHANGING OR REPLACING PICTOGRAM



1. Remove the button(Fig1.Fig2)
2. Change to desired pictogram(Fig3)
3. Reinstall buttons and snap them together together(Fig4)