

Slim LED Area Light



Options:



Photocell

Pre-Set :

brightness: 100%
 Turn on: 16 lux
 Turn off: 24 lux
 Delay: 5s
 Sensitivity: 100%

3WAY CCT Adjustable

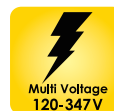
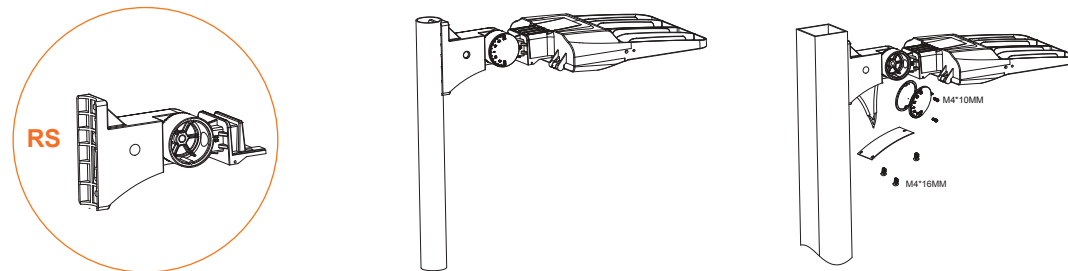
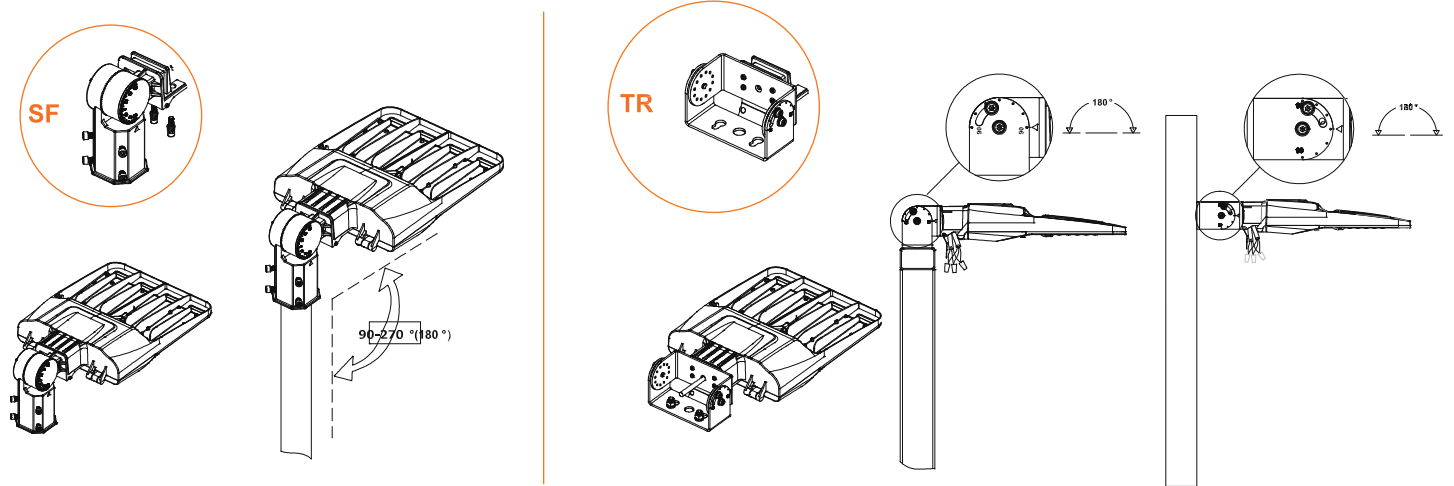
Model	HL-PL10W50KXXYYZ3	HL-PL15W50KXXYYZ3	HL-PL24W50KXXYYZ3
Lumen Output	11400LM	17000LM	27200LM
3way CCT	3000K/4000K/5000K		
CRI	>80Ra		
EPA	0.23ft ²		
Light Source	Lumileds		
System Watts	100W	150W	240W
Dimensions(mm)	428x304x88mm		595x304x92mm
Input Voltage	120-347v		
Power Factor	≥0.90		
THD	<20%		
Driver	POWSTAR		
Operating Temp Range	Ta: -30C ~ +45 C; Tc:85 C max		
IP Rating	IP66		
Dimming Control (Optional)	0-10V		
Life Span	L70,>120000H		
Light Distributor Options	Type5-M		
Certification	UL,CUL		

Single CCT

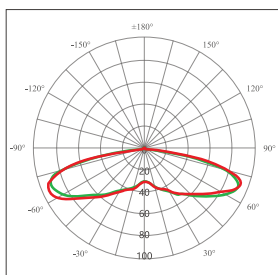
Model	HL-PL10WCCXXYYZO	HL-PL15WCCXXYYZO	HL-PL24WCCXXYYZO	HL-PL30WCCXXYYZO
Lumen Output	14000LM	21000 LM	33600 LM	42000 LM
CCT	5000 K			
CRI	>80Ra			
EPA	0.23ft ²			
Light Source	Lumileds			
System Watts	100W	150W	240W	300W
Dimensions(mm)	428x304x88mm		595x304x92mm	
Input Voltage	120-347v			
Power Factor	≥0.90			
THD	<20%			
Driver	POWSTAR			
Operating Temp Range	Ta: -30C ~ +45 C; Tc:85 C max			
IP Rating	IP66			
Dimming Control (Optional)	0-10V			
Life Span	L70,>120000H			
Light Distributor Options	Type5-M			
Certification	UL,CUL			

Optional Installation

Compared with the existing technology, the lighting module is installed on the bracket, and has the advantages of safety and reliability, and does not fall off. When the LED area light lamp is installed in an illuminated module, the fastening bolt (fastening connector) at both ends of the lighting module can play the role of self locking and push, and can ensure that the lighting module is not slipped from the support. The limitation of the general bracket opening can be solved, and the specific use occasions of the LED area light lamp can be effectively extended.



Photometric Diagrams



Type5-M

Effective Projected Area

EPA(Sq.Ft.)	Configuration	Weight(Lbs.)
0.55	1	8.50
1.10	2@180	17.00
0.95	2@90	17.00
1.50	3@90	25.50
1.74	3@120	25.50
1.74	4@90	34.00