

4" RETROFIT DOWNLIGHT



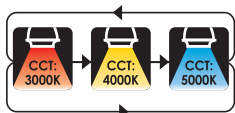
CCT Control by Wall Switch

Specification

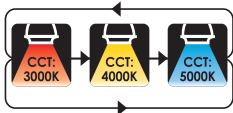
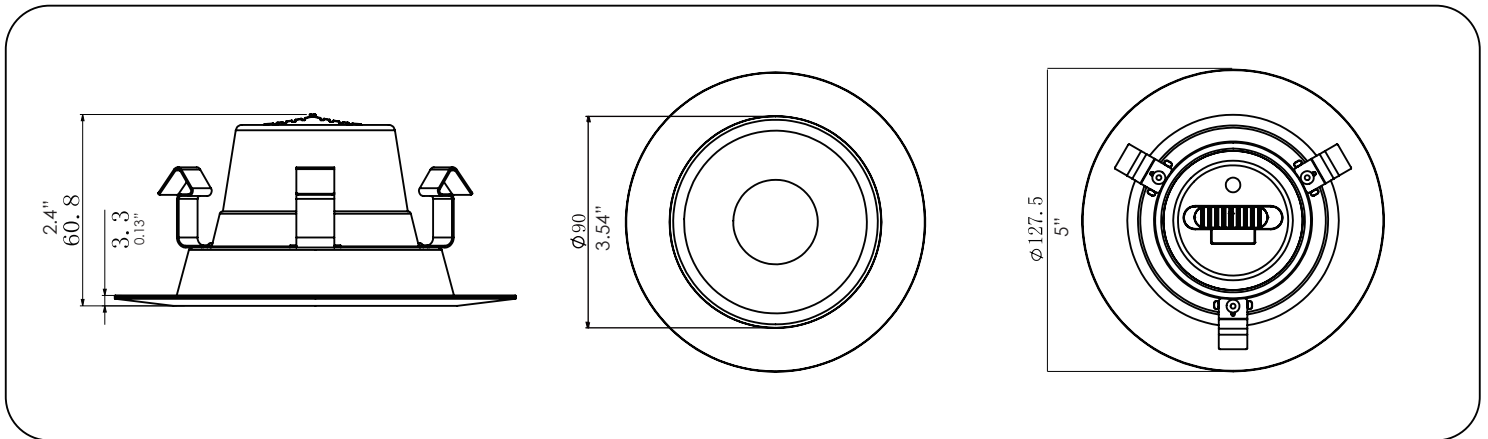
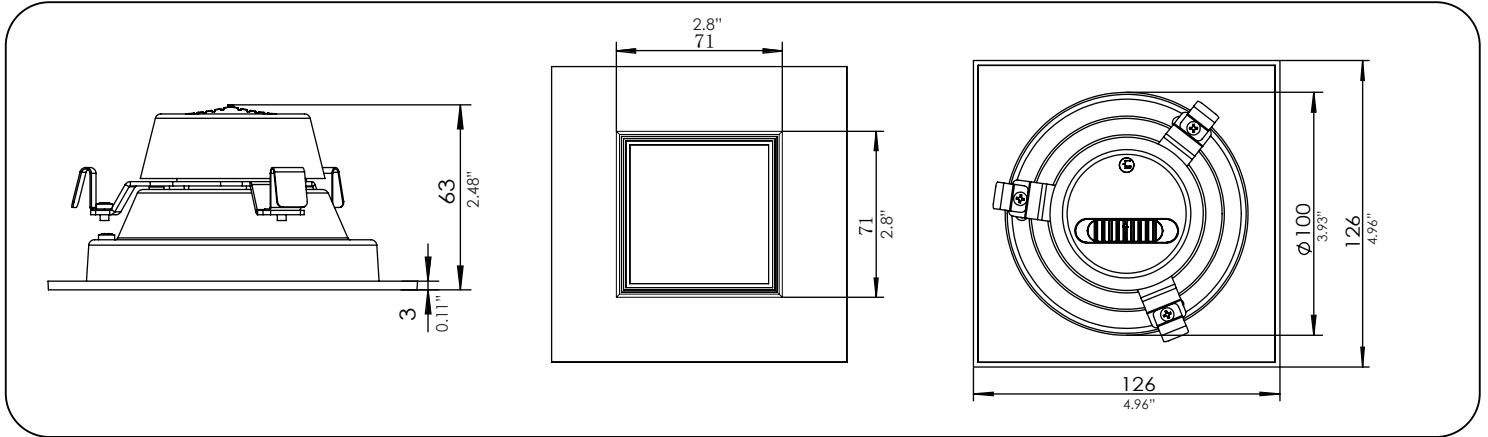
	4" Square Retrofit	4" Round Retrofit
Model No.	VO-SR4W9-120-D-4way	VO-RR4W9-120-D-4WAY
Size	126*63mm	128*59mm
Beam angle	110°	
Input Voltage (V)	120V 60Hz	
Power Factor	>0.7	
Dimmable	Yes	
Power (w)	9.3W	9W
Luminous Flux	700LM	800LM
Color Temperature	3000K/4000K/5000K adjustable	
CRI	>80	
SDCM	<7	
Lifetime (Hrs)	50000	
Certification Requirements	ETL/ES	

Features

- Safe - This downlight is IC Rated for direct contact with insulation. It is ETL certified, which means it has met the nationality recognized safety requirements.
- Energy Efficient - With Energy Star labled, it consumes only 9.3/9 watts, equivalent to 50W halogen. That's so easy to save up to % 81 on the electric bill.
- Long Lifespan - The lifespan is as long as 50/000 hours. we provide 5 years warranty and lifetime technical support.



Dimensions

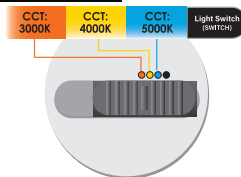


How to Select Your Light Color

Option 1:

Pick your favorite light color before installing

If you prefer just one color, select it on the fixture before installation.



Option 2:

Adjust your light color anytime with a regular wall light switch

Select SWITCH on the light fixture before installing and you can choose a light color by toggling your existing wall switch anytime you want.

