

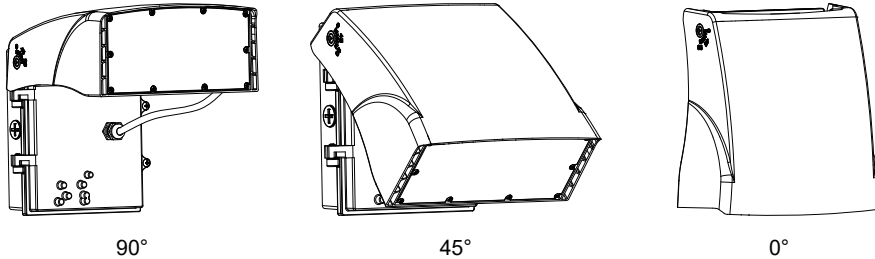
**Standard wire:**

L/live wire: Black\Brown;

N/null wire:White\Blue;

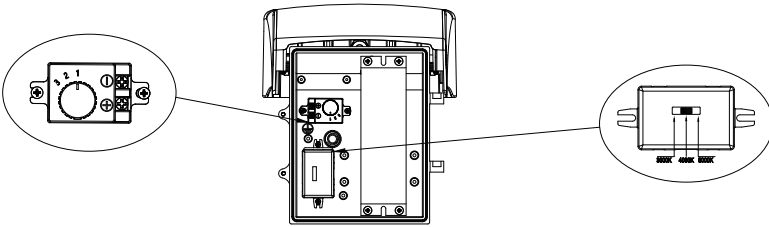
Ground wire: Green\Yellow-green.

Note: To meet the requirements of DLC certification, lamps are limited to the same side of the light-emitting use, not in different directions of irradiation use (as shown below)



**CCT & Wattage adjustment Instruction**

- 1, After the fixture is fixed(Step 9), adjust the CCT via a controlling switch as per your demand, with 3000K/ 4000K/ 5000K optional, as shown in below picture;
- 2, After the fixture is fixed(Step 9), adjust the wattage via a controlling knob as per your demand, with 3 settings optional, as shown in below picture;



**Warning/Advertisement:**

MIN 90°C SUPPLY CONDUCTORS

THIS PRODUCT MUST BE INSTALLED IN ACCORDANCE WITH THE APPLICABLE INSTALLATION CODE BY A PERSON FAMILIAR WITH THE CONSTRUCTION AND OPERATION OF THE PRODUCT AND THE HAZARDS INVOLVED

LES FILS D'ALIMENTATION 90 °C MIN

CE PRODUIT DOIT ÊTRE INSTALLÉ SELON LE CODE D'INSTALLATION PERTINENT, PAR UNE PERSONNE QUI CONNAÎT BIEN LE PRODUIT ET SON FONCTIONNEMENT AINSI QUE LES RISQUES INHÉRENTS.

# Adjustable led wallpack light instruction

**Warning:**

1. Do not use the electric generator to test the LED lamp;
2. This luminaire must be installed in accordance with your local electrical codes and requirements;
3. Do not install the luminaire in rainy days, to avoid lightning stroke and damage to luminaire.

**Installation notice:**

1. This luminaire must be installed by qualified electrician to avoid electric shock and fire accident;
2. Wear gloves before installation in order to avoid injury;
3. Turn off the power immediately when there is smoke and fire during installation, inform professionals to overhaul;
4. This luminaire is suitable for outdoor use.

**Installation:**

Step 1: Loosen the screws on the side of the radiator with an Allen wrench, and rotate the radiator to 90 degrees(Figure 1 & Figure 2);

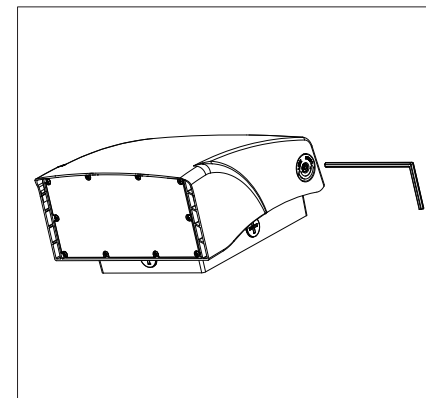


Figure 1

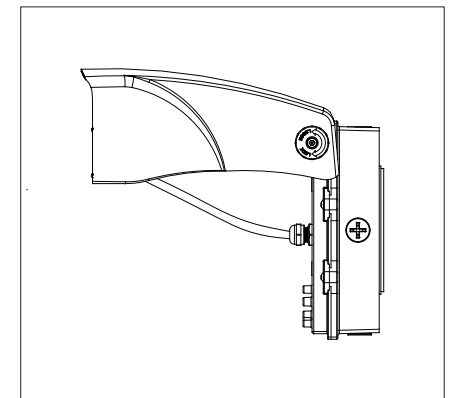


Figure 2

Step 2: Use a screwdriver to remove the screws on the driver box cover and separate the driver box from the radiator(Figure 3 & Figure 4);

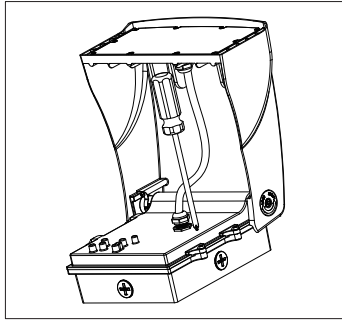


Figure 3

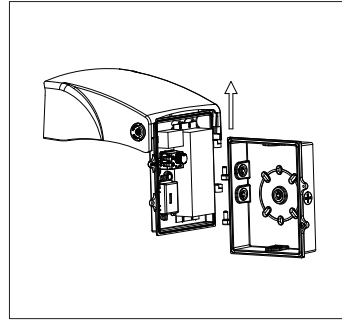


Figure 4

Step 3: Drill an installation holes at the bottom of light, paste the EVA mat(Figure 5 & Figure 6);

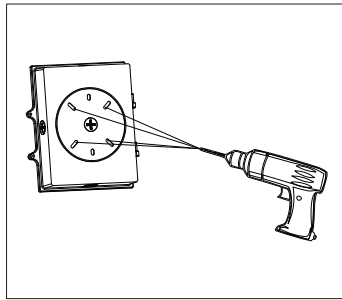


Figure 5

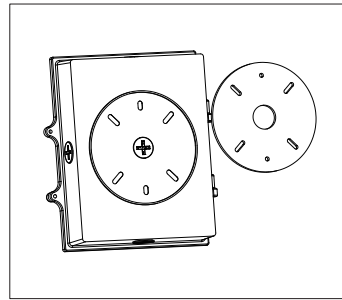


Figure 6

Step 4: Drill holes on the wall according to the locating plate(Figure 7);

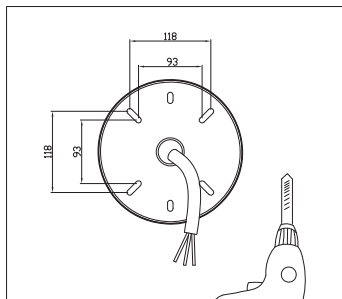


Figure 7

Step 5: Fix rubber plugs into holes (Figure 8);

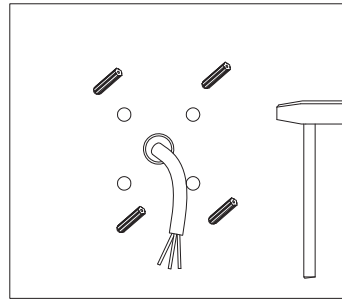


Figure 8

Step 6: Align the holes on the lamp base with the holes on the wall, and tighten the screws(Figure 9);

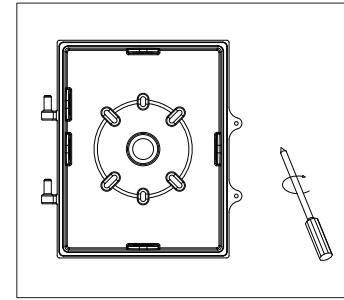


Figure 9

Step 7: Fasten the radiator to the driver box and connect the wires properly ((Figure 10 & Figure 11);

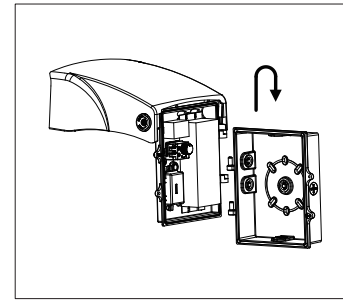


Figure 10

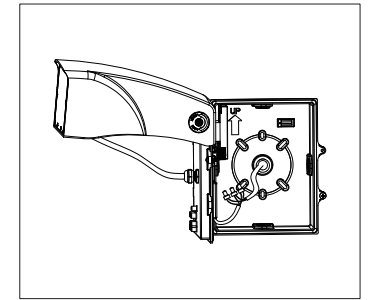


Figure 11

Step 8: Well organize the line and tighten the screws of the lamp base (Figure 12 & Figure 13).

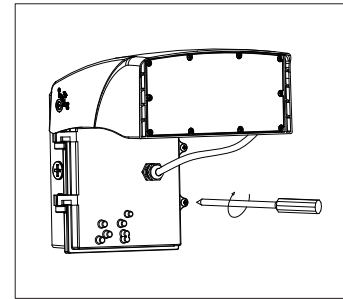


Figure 12

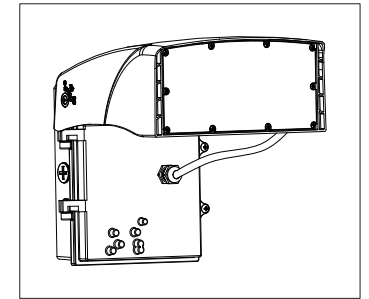


Figure 13