

LED Corn Light Instruction



Can not use the electric generator to test the LED lamp. Please avoid using the led fixture in environment where there is smoke, sulfur, and corrosive substances. But if used in such environment, make sure the led fixture is well protected by an enclosed lampshade whose dimension is no less than below size, and whose material is either glass or semi-glass, semi-metallic. Surface of the lampshade shall not have any covering which prevents heat dissipation.

Power (W)	12	18	27	36	45/54	63/80
Volume (CM)	30*18*18	32*19*19	34*20*20	38*20*20	42*21*21	42*23*23

Power (W)	100	120				
Volume (CM)	44*24*24	44*26*26				

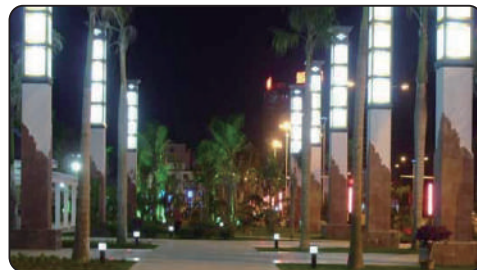
LED Corn Light Instruction

Product features:

- ◆ Single CCT mode, without CCT adjustable function.
- ◆ Two dimming options are available for the Single CCT mode 27-120W, continuous dimming or segmented dimming.
- ◆ Can be with Clear or frosted PC cover.
- ◆ Single CCT 27-120W lamp can be with AC 120-347V internal driver.
- ◆ Motion sensor or PIR sensor are optional for the Single CCT mode 80-120W.
- ◆ 12-120W Sealant pouring for whole drive and lamp plastic housing.
- ◆ Long lifespan and good heat dissipation. No fan.
- ◆ Direct replacement for Metal Halide, easy Installation.
- ◆ Fits many different fixtures to replace traditional lamps.

Application:

Widely used in supermarket, warehouse, garage, home, office, hotel, hospital, school, street, garden etc.



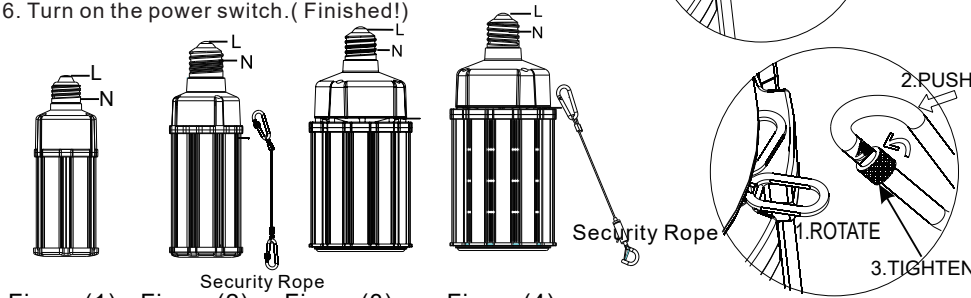
Installation Instructions:

Warning: Please make sure the power is off before installation.

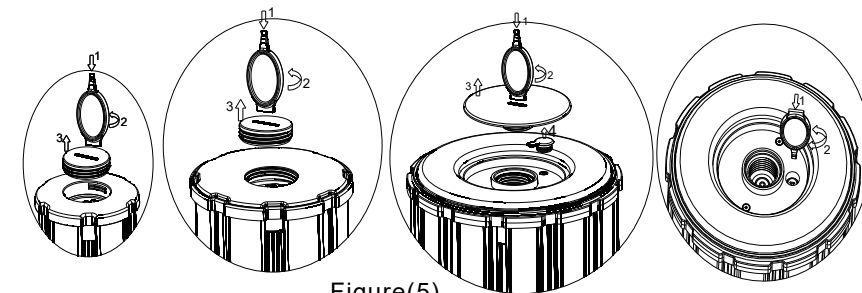
1. Turn off the power switch.
2. Screw off the CFL or MHL or HPS and so on, see Figure (5)(6).
3. Take out led corn light and screw on, see Figure (1)(2)(3)(4).

Figure (1)(2) (3) (4):AC internal driver,
(Note: Pls make sure to take off the ballast before installing led corn light, otherwise the ballast will produce the resonance of high voltage and makes led corn light breakdown.)

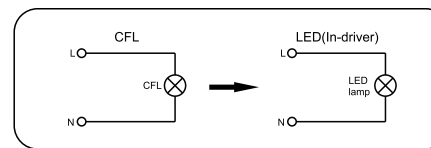
4. If security rope provided, pls fix the rope on the lamp with hand, then fix the wire of other end on the shell, see Figure(2) (4).
5. Lamp CCT and dimming can be adjusted after removing the top plastic cover with a screwdriver. Figure(5) (8)
6. Turn on the power switch.(Finished!)



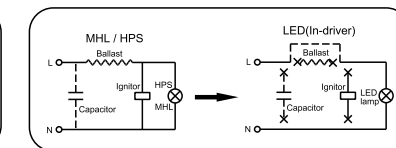
Figure(1) Figure(2) Figure(3) Figure(4)



Figure(5)



Figure(6)

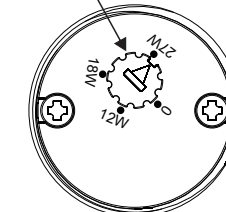


Figure(7)

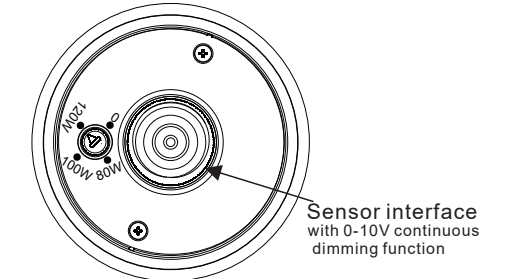
CCT adjustable and dimming mode diagram:

1.Continuous dimming

DIMMING KNOB

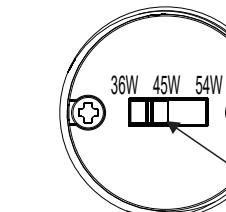


Single CCT 27-63W

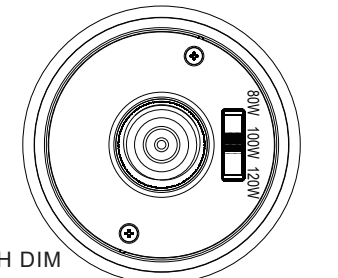


Single CCT80-120W

2.Segmented dimming



Single CCT 27-63W



Single CCT80-120W-S

Rated wattage	Dimming mode			
27W	12W	18W	27W	
36W	18W	27W	36W	
45W	27W	36W	45W	
54W	36W	45W	54W	
63W	36W	54W	63W	
80W	54W	63W	80W	
100W	63W	80W	100W	
120W	80W	100W	120W	

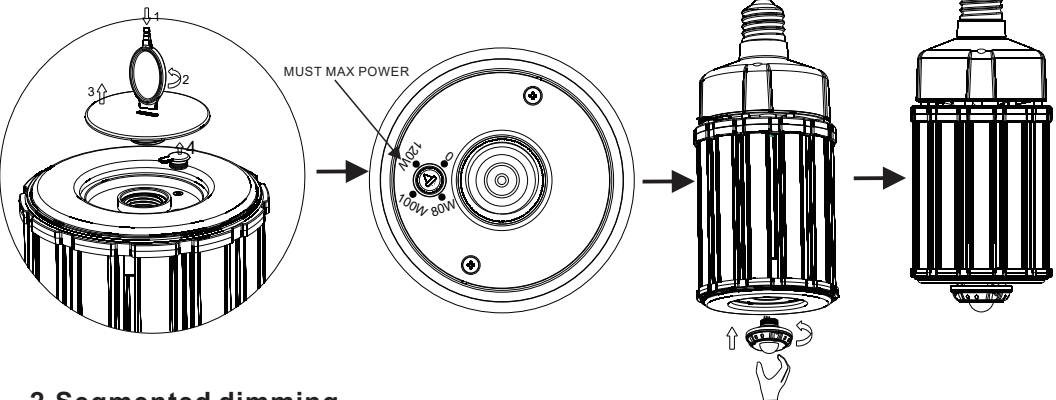
Figure(8)

Installation of motion sensor or PIR sensor

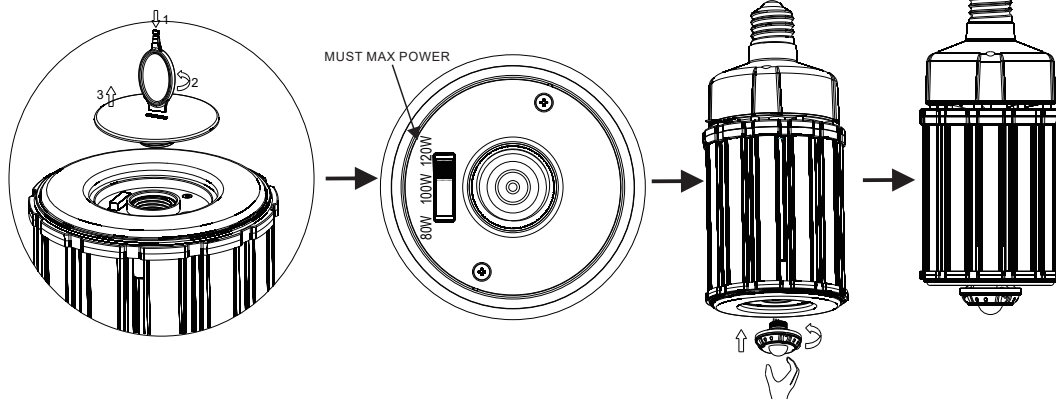
It could be easily installed by using a straight screwdriver. Use a flat-blade screwdriver to unscrew the plug and remove the plug. And then, adjust the lamp power to the maximum (otherwise the sensor will act abnormally). install motion sensor or PIR sensor and tighten it.

Note: the motion sensor has no dialing code, and a remote control is needed for adjustment. Please refer to the instruction for remote control adjustment.

1. Continuous dimming



2. Segmented dimming



WARNING:

WARNING – Risk of fire or electric shock. LED Retrofit Kit installation requires knowledge of luminaries electrical systems. If not qualified, do not attempt installation. Contact a qualified electrician.

WARNING – Risk of fire or electric shock. Install this kit only in the luminaires that have the construction features and dimensions shown in the photographs and/or drawings and where the input rating of the retrofit kit does not exceed the input rating of the luminaire.

WARNING – To prevent wiring damage or abrasion, do not expose wiring to edges of sheet metal or other sharp objects.

Do not make or alter any open holes in an enclosure of wiring or electrical components during kit installation.

THE RETROFIT KIT IS ACCEPTED AS A COMPONENT OF A LUMINAIRE WHERE THE SUITABILITY OF THE COMBINATION SHALL BE DETERMINED BY AUTHORITIES HAVING JURISDICTION. PRODUCT MUST BE INSTALLED BY A QUALIFIED ELECTRICIAN IN ACCORDANCE WITH THE APPLICABLE AND APPROPRIATE ELECTRICAL CODES. THE INSTALLATION GUIDE DOES NOT SUPERSEDE LOCAL OR NATIONAL REGULATIONS FOR ELECTRICAL INSTALLATIONS. SUITABLE FOR DAMP LOCATIONS.

ADDED WEIGHT OF THE DEVICE MAY CAUSE INSTABILITY OF A FREE STANDING PORTABLE LUMINAIRE.

USE ONLY WITH A PORTABLE TABLE LAMP THAT IS PROVIDED WITH A SHADE.

USE IN PORTABLE TABLE LAMPS IN WHICH THE DISTANCE FROM THE BOTTOM OF THE BASE TO THE TOP OF THE LAMPHOLDER DOES NOT EXCEED THREE (3) TIMES THE MINIMUM BASE DIAMETER.

THIS DEVICE IS NOT INTENDED FOR USE WITH EMERGENCY EXITS” or “NOT FOR EMERGENCY LIGHTING.

MIN. LAMP COMPARTMENT DIMENSIONS(L x W x H)

Model Number	Minimum Lamp Compartment Dimension(mm)(H)x(L)x(W)
AST-CLW08G-054WXYA1-adck	420 X 210 X 210
AST-CLW08G-063WXYA1-adck	420 X 230 X 230
AST-CLW08G-080WXYZA1-adbck	420 X 230 X 230
AST-CLW08G-100WXYZA1-adbck	440 X 240 X 240
AST-CLW08G-120WXYZA1-adbck	440 X 260 X 260

AVERTISSEMENT:

Avertissement- Precautionnez-vous contre des chocs électriques. L'installation des pièces de rechange LED est seulement en charge des professionnels.

Precautionnez-vous contre feu. Installer des pièces de rechange selon les spécifications, veiller à ce que la puissance d'entrée ne dépasse pas la puissance d'entrée de remplacement de la lampe. Ne faites pas de contact avec le câble pointus ou métalliques, afin d'éviter le fil usé.

Ne pas modifier la structure du circuit fermé et les composants électroniques ou forage sur celui-ci lors de l'installation des pièces de rechange

LA TROUSSE DE RÉNOVATION EST ACCEPTÉE COMME UN ÉLÉMENT D'UN LUMINAIRE OÙ L'ADÉQUATION DE LA COMBINAISON DOIT ÊTRE DÉTERMINÉE PAR LES AUTORITÉS COMPÉTENTES. LE PRODUIT DOIT ÊTRE.

INSTALLÉ PAR UN ÉLECTRICIEN QUALIFIÉ CONFORMÉMENT AUX CODES ÉLECTRIQUES APPLICABLES ET APPROPRIÉS. LE GUIDE D'INSTALLATION NE REMPLACE PAS LES RÉGLEMENTATIONS LOCALES OU NATIONALES POUR LES INSTALLATIONS ÉLECTRIQUES.

CONVIENT AUX EMPLACEMENTS HUMIDES LE DISPOSITIF CONSTITUE UN POIDS SUPPLÉMENTAIRE CE QUI PEUT CAUSER L'INSTABILITÉ D'UN LUMINAIRE PORTATIF AUTONOME

UTILISER UNIQUEMENT AVEC UNE LAMPE DE TABLE DOTÉE D'UN ABAT-JOUR UTILISER AVEC UNE LAMPE DE TABLE POUR LAQUELLE LA DISTANCE ENTRE LA PARTIE INFÉRIEURE DU SOCLE ET LA PARTIE SUPÉRIEURE DE LA DOUILLE DE LAMPE N'EST PAS SUPÉRIEURE À 3 FOIS LE DIAMÈTRE MINIMAL DU SOCLE

NE CONVIENT PAS AUX SORTIES DE SECOURS

DIMENSIONS MIN DU COMPARTIMENT ABRITANT L'AMPOUL

Model Number	Minimum Lamp Compartment Dimension(mm)(H)x(L)x(W)
AST-CLW08G-054WXYA1-adck	420 X 210 X 210
AST-CLW08G-063WXYA1-adck	420 X 230 X 230
AST-CLW08G-080WXYZA1-adbck	420 X 230 X 230
AST-CLW08G-100WXYZA1-adbck	440 X 240 X 240
AST-CLW08G-120WXYZA1-adbck	440 X 260 X 260