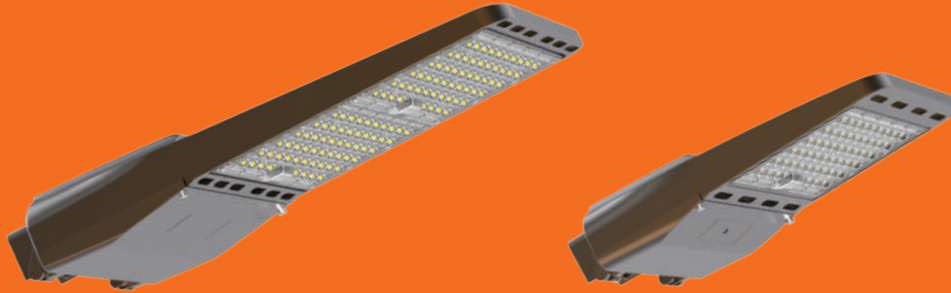


## Slim LED Area Light



### Options:



Photocell

### Pre-Set :

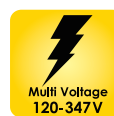
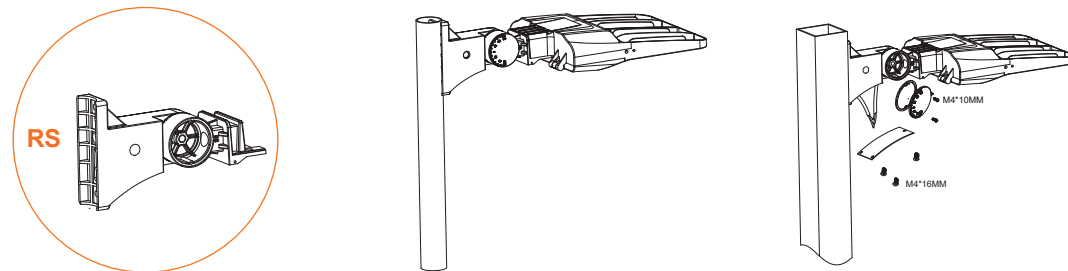
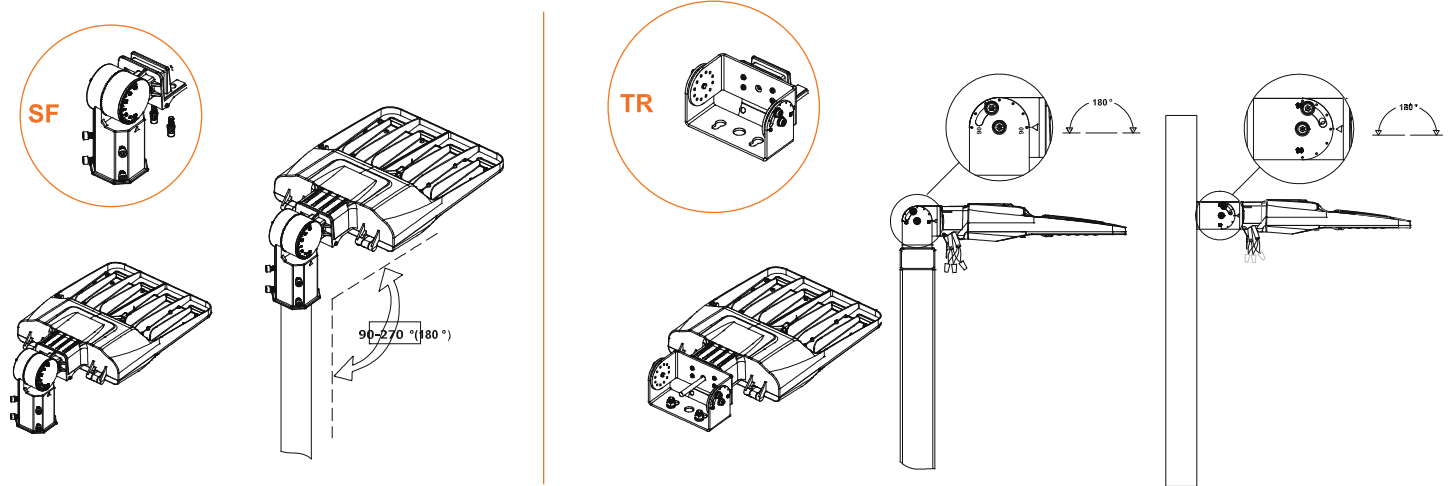
brightness: 100%  
Turn on: 16 lux  
Turn off: 24 lux  
Delay: 5s  
Sensitivity: 100%

	3WAY CCT Adjustable			
Model	HD-PL03-100W-MB -5000K-PT3F170D	HD-PL03-150W-MB -5000K-PT3F170D	HD-PL03-240W-MB -5000K-PT3F170D	HD-PL03-300W-MB -5000K-PT3F170D
Lumen Output	14500LM	21750LM	34800LM	43500LM
3way CCT	3000K/4000K/5000K			
CRI	>80Ra			
EPA	0.23ft <sup>2</sup>			
Light Source	Lumileds			
System Watts	100W	150W	240W	300W
Dimensions(mm)	428x304x88mm		595x304x92mm	
Input Voltage	120-347v			
Power Factor	≥0.90			
THD	<20%			
Driver	Becky			
Operating Temp Range	Ta: -30°C ~ +45°C; Tc: 85°Cmax			
IP Rating	IP66			
Dimming Control (Optional)	0-10V			
Life Span	L70, >120000H			
Light Distributor Options	Type5-M			
Certification	ETL, cETL			

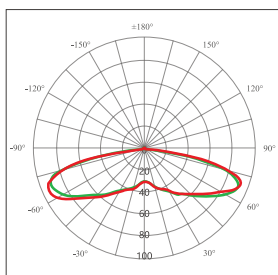
	Single CCT			
Model	HD-PL03-100W-MB -5000K-T3170D	HD-PL03-150W-MB -5000K-T3170D	HD-PL03-240W-MB -5000K-T3170D	HD-PL03-300W-MB -5000K-T3170D
Lumen Output	17000LM	25500LM	40800LM	51000LM
CCT	5000 K			
CRI	>80Ra			
EPA	0.23ft <sup>2</sup>			
Light Source	Lumileds			
System Watts	100W	150W	240W	300W
Dimensions(mm)	428x304x88mm		595x304x92mm	
Input Voltage	120-347v			
Power Factor	≥0.90			
THD	<20%			
Driver	Becky			
Operating Temp Range	Ta: -30°C ~ +45°C; Tc: 85°Cmax			
IP Rating	IP66			
Dimming Control (Optional)	0-10V			
Life Span	L70, >120000H			
Light Distributor Options	Type5-M			
Certification	ETL, cETL			

### Optional Installation

Compared with the existing technology, the lighting module is installed on the bracket, and has the advantages of safety and reliability, and does not fall off. When the LED area light lamp is installed in an illuminated module, the fastening bolt (fastening connector) at both ends of the lighting module can play the role of self locking and push, and can ensure that the lighting module is not slipped from the support. The limitation of the general bracket opening can be solved, and the specific use occasions of the LED area light lamp can be effectively extended.



### Photometric Diagrams



Type5-M

### Effective Projected Area

EPA(Sq.Ft.)	Configuration	Weight(Lbs.)
0.55	1	8.50
1.10	2@180	17.00
0.95	2@90	17.00
1.50	3@90	25.50
1.74	3@120	25.50
1.74	4@90	34.00