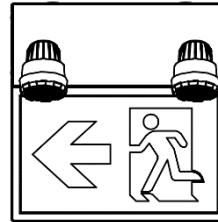


INSTALLATION INSTRUCTIONS FOR RUNNING MAN EXIT SIGN

Package Contents

| Part | Description | Quantity |
|------|---------------------|----------|
| 1 | Emergency Exit Sign | 1 |
| 2 | Hardware Kit | 1 |
| 3 | Pictogram | 3 |



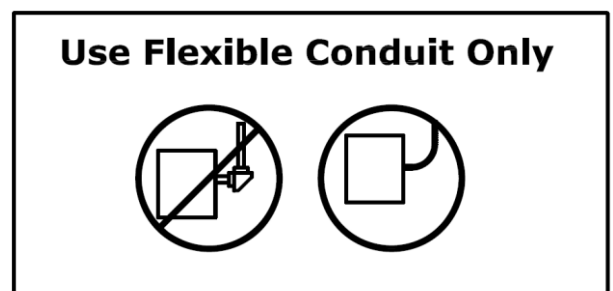
Warnings and Cautions

IMPORTANT SAFEGUARDS

READ AND FOLLOW ALL SAFETY INSTRUCTIONS

1. Review the diagrams thoroughly before beginning.
2. All electrical connections must be in accordance with local codes, ordinances and the National Electric code.
3. Disconnect power at fuse or circuit breaker before installing or servicing.
4. Do not use outdoors.
5. Do not mount in hazardous locations, or near gas or electric heaters.
6. Do not let power cords touch hot surface.
7. Equipment should be mounted in locations and at heights where it will not be subjected to tampering by unauthorized personnel.
8. The use of accessory equipment not recommend by the manufacturer may cause an unsafe condition.
9. Do not use this equipment for other than intended use.
10. All servicing should be performed by qualified personnel only.
11. Allow battery to charge for 24 hours before first use.

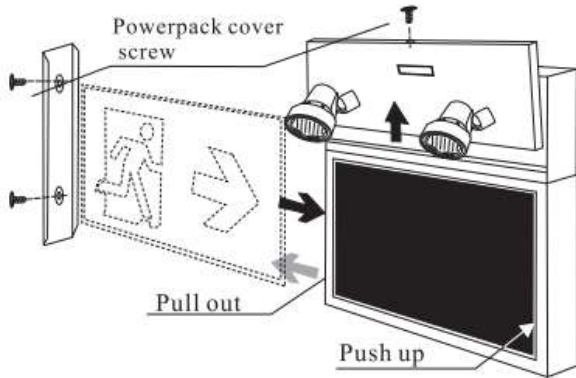
SAVE THESE INSTRUCTIONS



Mounting Instructions (NOTE: First turn off electricity)

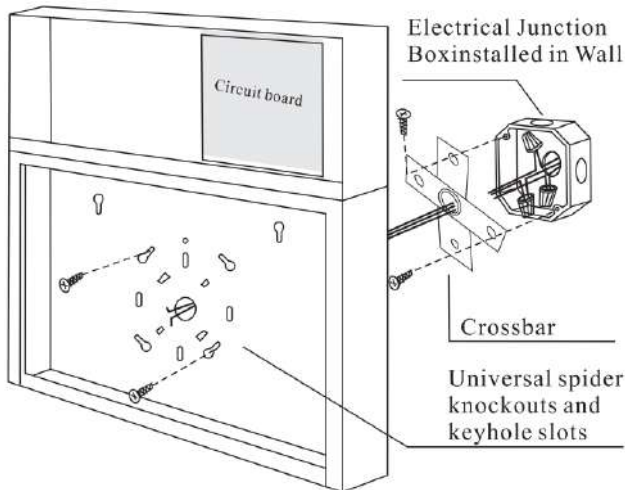
Ceiling mounting (Max. mounting height is 18.3ft)

1. Remove the power pack cover screws and lift the power pack cover up and out of the way.

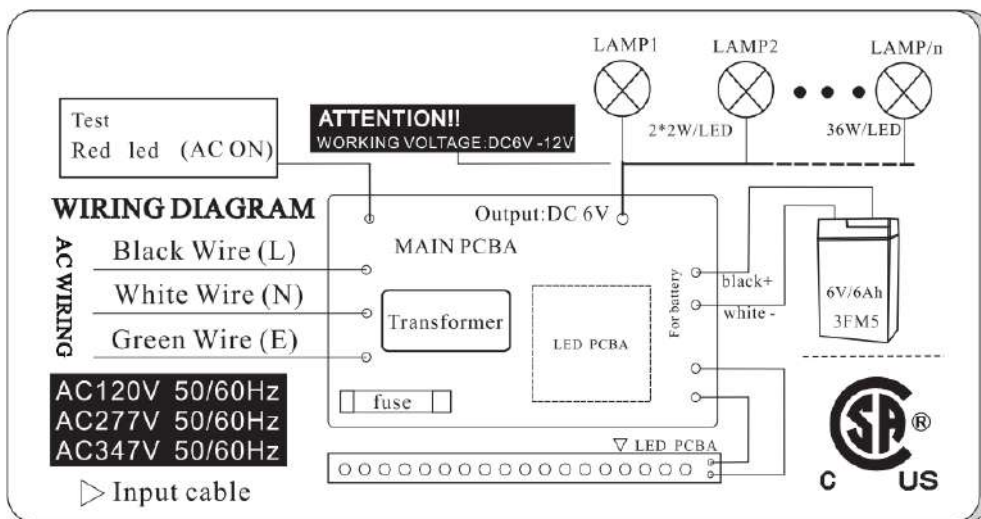


2. Knockout back of housing and push wires through the hole.

Wall mount



3. Make the proper supply lead connections.



4. Connect the battery after installed.

5. Select the correct PVC sheets.

6. Restore power and press test button. Battery powered LED will come on, AC light will turn off.

Ceiling or end mount

