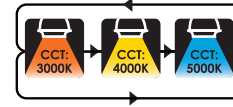


Project : _____
 Type : _____
 Drawn by : _____
 Catalogue No. : _____
 Date : _____



VO-GU10W7-120



VO-GU10W7-120-3Way-S-D

Specifications

Model No.		<input type="checkbox"/> VO-GU10W7-120	<input type="checkbox"/> VO-GU10W7-120-3Way-S-D
General	CCT	<input type="checkbox"/> 3000K <input type="checkbox"/> 4000K <input type="checkbox"/> 5000K	3000K/4000K/5000K Adj
	Watts	7W	7W
	Lumen	500Lm	500Lm
	Base	GU10	GU10
	Volts	120V	120V
	CRI	>80	>80
	Beam Angle	40°	40°
	Hours Rated	25,000Hrs	25,000Hrs
	Product Size	2.25"(H) x 1.97"(Φ)	2.37"(H) x 1.97"(Φ)
Electrical	IP Grade	IP20	IP20
	Power Factor	>0.9	>0.9
	Storage temperature	-25°C ~ 40°C	-25°C ~ 40°C
	Operating Temperature	-25°C ~ 40°C	-25°C ~ 40°C
Physical	Lens Material	PC	PC
	Housing Color	White	White
	Weight (g)	50	52
Additional Information	Additional Info	Dimmable	Dimmable
	Rated For Enclosed Fixture	Yes	Yes
	Warranty	3Years	3Years
Compliance	Certification	cUL	ETL

Features & Specifications

Performance Data

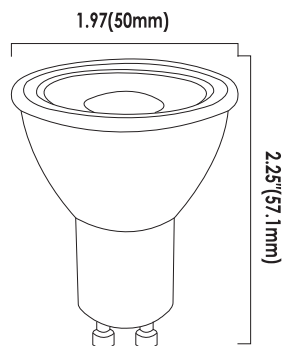
- Available color temperature in 3000K/4000K/5000K & 3000K/4000K/5000K Adjustable
- 80+ CRI
- Electrical ratings : AC 120V 60Hz
- Estimated life: 25,000 hours
- Dimming Capable
- 0.5kV surge protection (standard)
- -20°C~+45°C (the best in 25°C)

Compliances

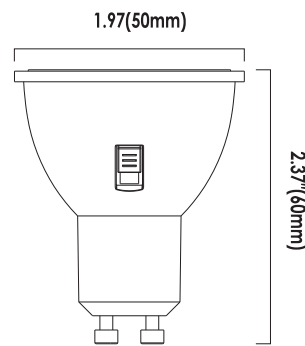
- cUL/ETL
- IP20

Dimensions & Weights

Model	VO-GU10W7-120	VO-GU10W7-120-3Way-S-D
Diameter in. (mm)	1.97(50)	1.97(50)
Height in. (mm)	2.25 (57.1)	2.37 (60)
Net weight (g)	50	52

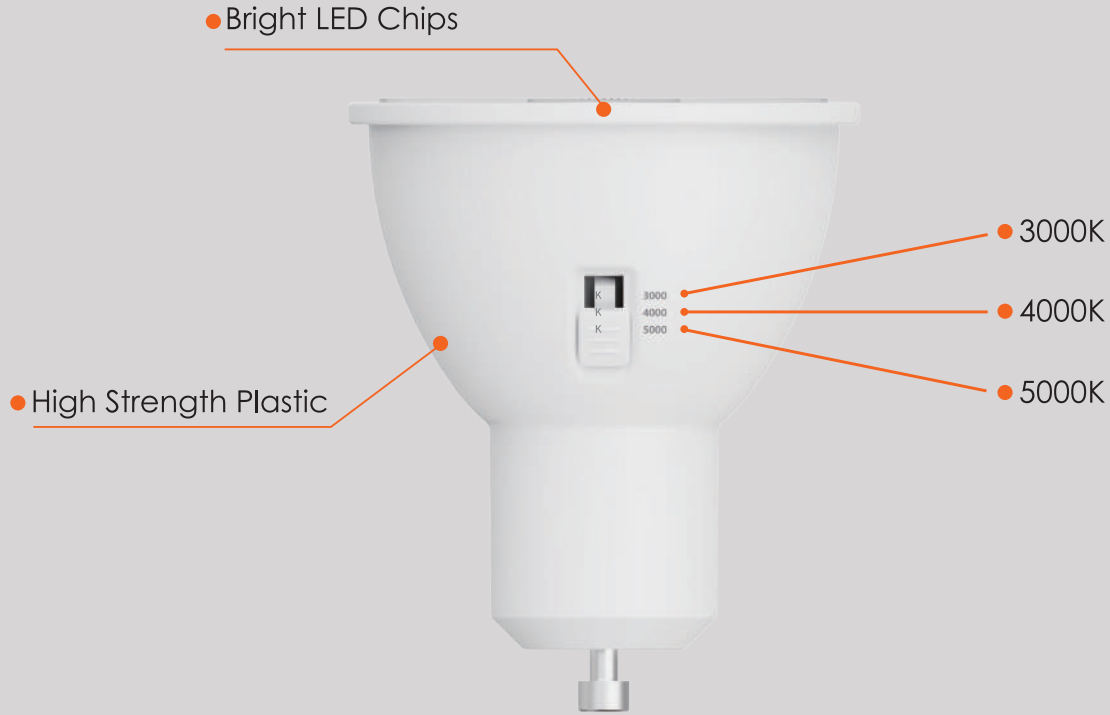


VO-GU10W7-120



VO-GU10W7-120-3Way-S-D

Product Details



Lumen Details

Model No.:	Watts (W)	3000K		4000K		5000K		6000K	
		Lumen Output (LM)	Efficiency (LM/W)	Lumen Output (LM)	Efficiency (LM/W)	Lumen Output (LM)	Efficiency (LM/W)	Lumen Output (LM)	Efficiency (LM/W)
VO-GU10W7-120	7W	554	90	568	92	572	93	/	/
VO-GU10W7-120-3Way-S-D	7W	577	93	669	107	637	102	/	/



Data is based upon tests performed in a controlled environment. Actual performance can vary depending on operating conditions. All products are subject to change or may be discontinued any time without notice. Please contact your Votatec customer service representative to confirm inventory levels at time of order

