

Project : \_\_\_\_\_  
 Type : \_\_\_\_\_  
 Drawn by : \_\_\_\_\_  
 Catalogue No. : \_\_\_\_\_  
 Date : \_\_\_\_\_



VO-PAR16W7



VO-PAR16W5.5-120-5Way-S-D

## Specifications

Model No.		<input type="checkbox"/> VO-PAR16W7	<input type="checkbox"/> VO-PAR16W5.5-120-5Way-S-D
General	CCT	<input type="checkbox"/> 3000K <input type="checkbox"/> 4000K <input type="checkbox"/> 5000K	2700K/3000K/3500K/4000K/5000K Adj
	Watts	7W	5.5W
	Lumen	560Lm	350Lm
	Base	E26	E26
	Volts	120V	120V
	CRI	>80	>80
	Beam Angle	40°	40°
	Hours Rated	25,000Hrs	25,000Hrs
	Product Size	2.28"(H) x1.97"(Φ)	2.28"(H) x1.97"(Φ)
Electrical	IP Grade	IP20	IP20
	Power Factor	>0.7	>0.7
	Storage temperature	-25°C ~ 40°C	-25°C ~ 40°C
	Operating Temperature	-25°C ~ 40°C	-25°C ~ 40°C
Physical	Lens Material	PC	PC
	Bulb Head Color	Clear	Clear
	Weight (g)	41	42
Additional Information	Additional Info	Dimmable	Dimmable
	Rated For Enclosed Fixture	Yes	Yes
	Warranty	3Years	3Years
Compliance	Certification	cUL	ETL

## Features & Specifications

### Performance Data

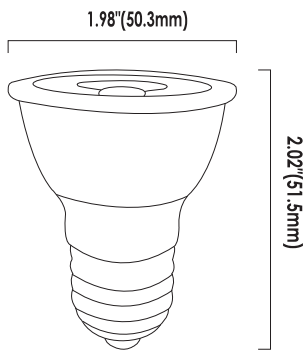
- Available color temperature in 2700K/3000K/3500K/4000K/5000K Adj & 3000K/4000K/5000K
- 80+ CRI
- Electrical ratings : AC 120V 50-60Hz
- Estimated life: 25,000 hours
- Dimming Capable
- 0.5kV surge protection ( standard )
- -20°C~+45°C (the best in 25°C)

### Compliances

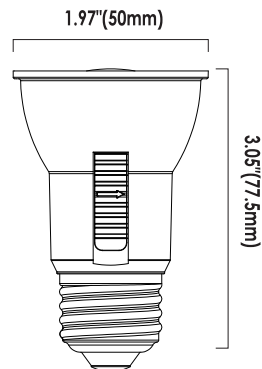
- cUL/ETL
- IP20

## Dimensions & Weights

Model No.	VO-PAR16W7	VO-PAR16W5.5-120-5Way-S-D
Diameter in. (mm)	1.98(50.3)	1.97(50)
Height in. (mm)	2.02(51.5)	3.05(77.5)
Net weight (g)	41	42

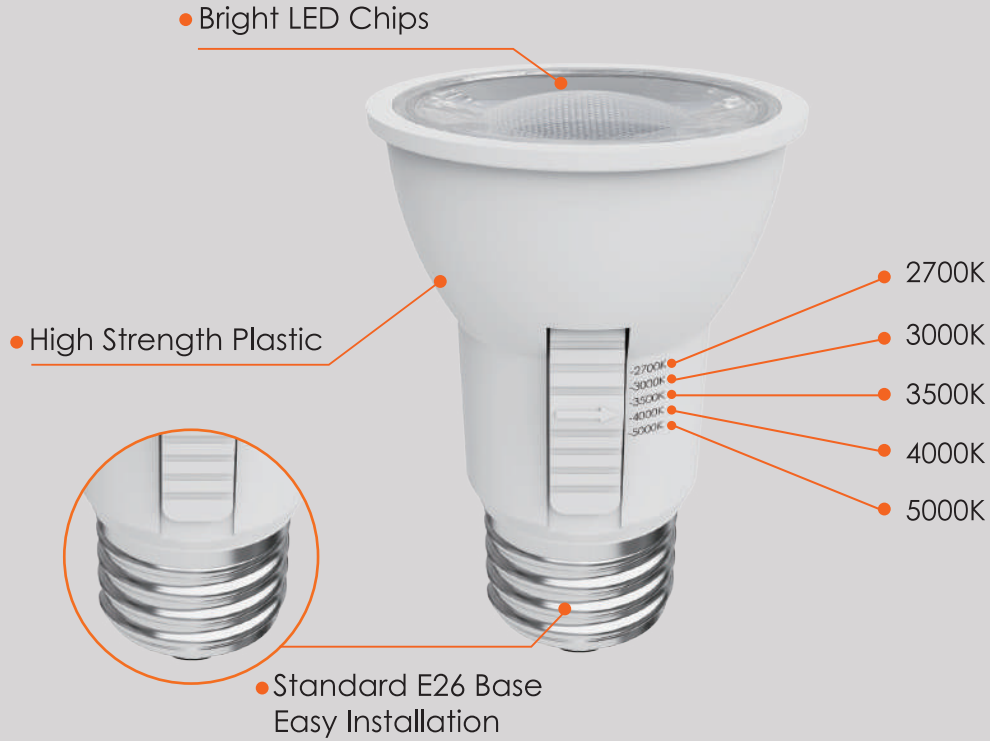


VO-PAR16W7



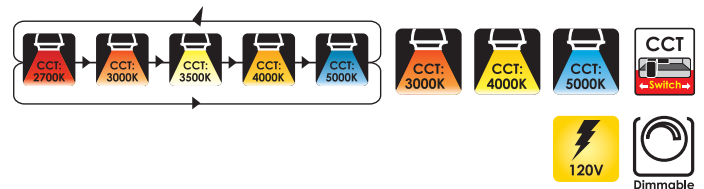
VO-PAR16W5.5-120-5Way-S-D

### Product Details



### Lumen Details

Model No.:	Watts (W)	2700K		3000K		3500K		4000K		5000K	
		Lumen Output (LM)	Efficiency (LM/W)	Lumen Output (LM)	Efficiency (LM/W)	Lumen Output (LM)	Efficiency (LM/W)	Lumen Output (LM)	Efficiency (LM/W)	Lumen Output (LM)	Efficiency (LM/W)
VO-PAR16W7	7W	/	/	618	92	/	/	635	95	650	97
VO-PAR16W5.5-120-5Way-S-D	5.5W	526	96	556	101	594	108	607	110	564	103



Data is based upon tests performed in a controlled environment. Actual performance can vary depending on operating conditions. All products are subject to change or may be discontinued any time without notice. Please contact your Votatec customer service representative to confirm inventory levels at time of order

