

Project : _____
 Type : _____
 Drawn by : _____
 Catalogue No. : _____
 Date : _____



Specifications

Model No.		□ DNA042CPU1-600
General	Rated Voltage	120V,60Hz
	Rated Power	600W
	Switch times	≥40000 times
	Power Supply	Live wire
	Installation Method	In-wall
	Application	Indoor
	Dimming Method	Phase-cut
	Sensor	Pyroelectric Infrared Sensor (PIR)
Load Range	Incandescent lamp	15-600W
	LED lamp	3-200W
	Low voltage halogen lamp with electronic transformer	3-200W
	CFL -- fewer than 5pcs	3-200W
	Electric resistive heat	15-600W
Physical	MOL	4.13in
	MOW	1.73in
	MOH	1.22in
	Material	Plastic+Aluminum
	Housing Color	White
	Weight (Kg)	0.79
Operating Environment	Operating Temperature	0C (32F) TO 40C(104F)
	Humidity	10% R.H.-90%R.H.
Additional Information	Stand	UL1472
	Warranty	2 years
Compliance	Safety Listing	ETL-Listed
	Location Rating	Damp
	Energy Star	No
	DLC Approved	No
	DLC ID	No

Features & Specifications

Construction

- PIR sensor with Lux detection controls lamp on and off
- PIR detection range can reach 26.25ft at 3.94ft height
- Smooth dimming curve and good dimming characteristic
- High adaptability and compatibility
- Set the min and max brightness to adjust the lamp without flicker and dead route
- Press any button, can turn on the lamp when lamp is off
- With network status and multi-function indicator, include power and brightness startup and power off memory function
- Overload protection and over temperature protection
- With disconnecter to cut-off live part for safety
- Single pole or 3-Way circuit

Features

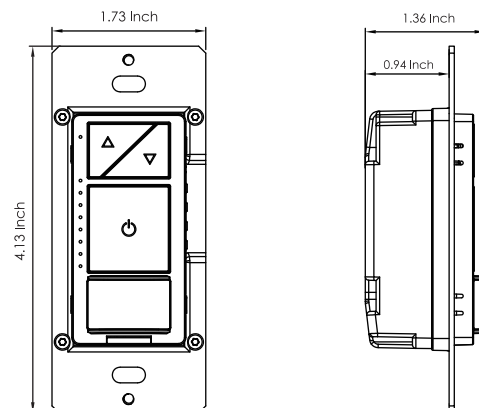
- Push button switch turn the lights ON/OFF
- The Min. and Max.brightness can be set to adjust the lamp without flicker
- Use as single pole or 3-way
- Replaces standard single switch
- Compatible with most swifch panels

Compliances

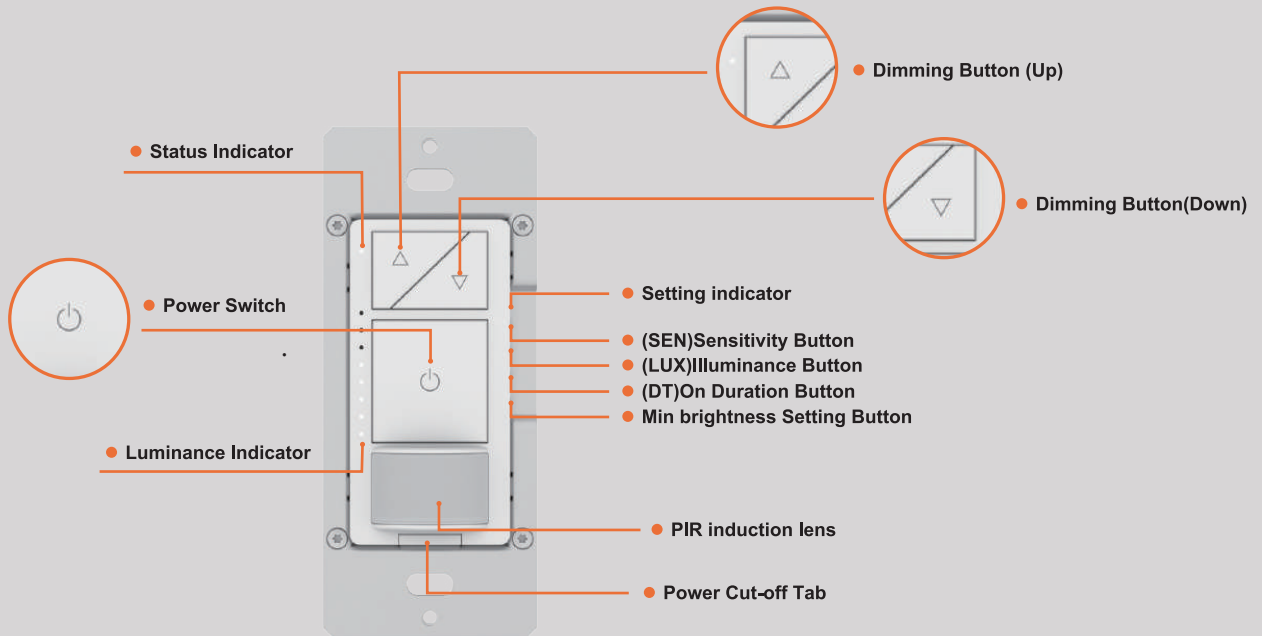
- ETL certified

Dimensions & Weights

Model	DNA042CPU1-600
Length in.(cm)	4.13 (10.49)
Width in. (cm)	1.73 (4.39)
Height in. (cm)	1.22 (3.10)
Net weight (lbs)	0.17



Product Details



PIR Sensor

Part Number	Technology	Height (Ft)	DetectionArea (M)	Time setting (Min)	Light control (Lux)	Humidity	Temperature (°C)
PIR Sensor	Pyroelectric infrared Sensor (PIR)	optimum mounting height: 3.94ft	Max vertical range 8M Degree 140°	1min,5min,15min	50lux,100lux,200lux	10%R.H.-90%R.H.	0°C~+40°C (32°F~+104°F)

NOTE : In PIR sensor switch mode,10 seconds after manually turning the lights on or off, the PIR switch starts work.

DEAFULT SETTING :

PIR sensor switch mode.

PIR sensitivity: High

PIR lux: High

Delay time: 1 min

Setting the PIR Sensitivity Levels

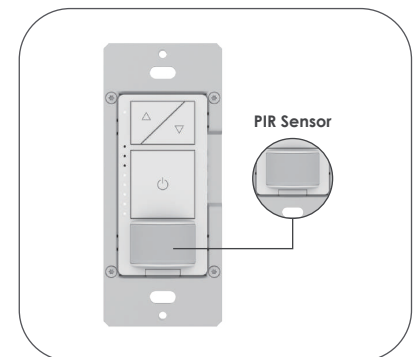
Short press the PIR sensitivity setting button.(Automatically turns OFF if left idle for 5 seconds.)

- ① High: The setting indicator light appears red.(Default setting)
- ② Medium: The setting indicator light appears green.
- ③ Low: The setting indicator light appears blue.

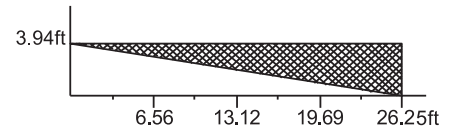
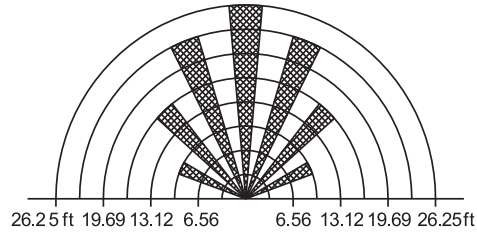
Setting the PIR Lux

Short press the PIR lux setting button.(Automatically turns OFF if left idle for 5 seconds.)

- ④ High: The setting indicator light appears blue.(Default setting)
- ⑤ Low: The setting indicator light appears red.
- ⑥ Medium: The setting indicator light appears green.



Detection Range



Typical Wiring Application

- Turn off power at circuit breaker or fuse and test that power is off before wiring.
- Install according to the wiring diagram above.
- Carefully position all wires inside the wall-box, leaving enough space to insert the dimmer. Secure the dimmer with the provided mounting screws.

