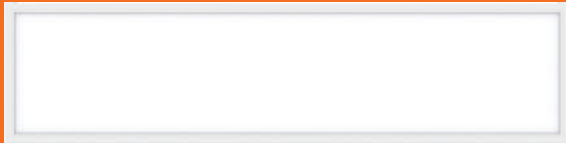
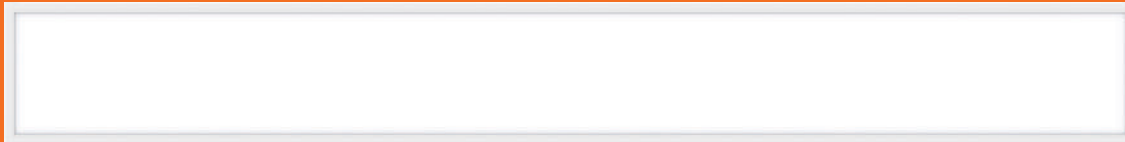


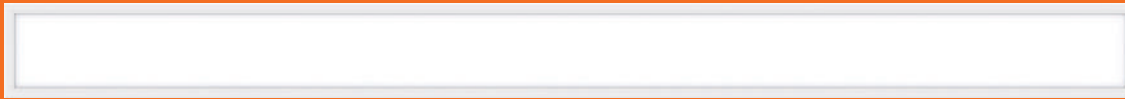
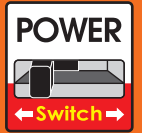
Linear Flush Mount LED



6"x2'



6"x4'



4"x4'



Specifications:

	SQUARE		
Model	PS1560-AL05-22W277-5CCT	PS10120-AL05-40W277-5CCT	PS15120-AL05-40W277-5CCT
Power	22W	40W/30W/20W	40W/30W/20W
CCT	2700K / 3000K / 3500K / 4000K / 5000K		
Brightness	2420LM	4400LM	4400LM
LED Type	SMD2835/256PCS	SMD2835/512PCS	SMD2835/512PCS
Voltage	AC120-277V		
Power Efficiency	≥0.9		
RA	≥80		
Beam Angle	120°		
Dimension	6"x2'x0.94"	6"x4'x0.94"	4"x4'x0.94"

Features:

- Bulit-in driver, 0.94 inch thickness
- Quick & Easy Installation
- Good quality LGP & diffuser Plate
- Stable design for the whole structure
- SMT technology, ensuring accurate for LEDs on FPCB
- 5CCT tunable
- Power Adjustable
- AC120-277V, 0-10V dimming
- 5 Years warranty



Perfect LED Mounting

Uniform Light Distribution

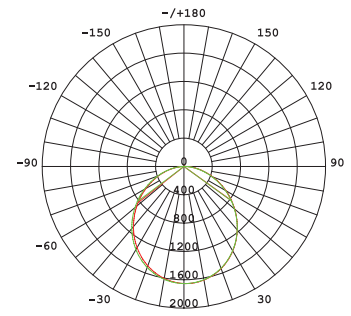
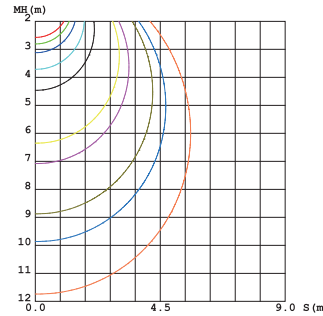
Black dots and shadow on the light, un-uniform lighting, which are the headache in the LED panel field.

The LED Light Strip



SMT technology, ensuring accurate positions for LEDs on FPCB
 Good quality LGP and diffuser plate
 Stable design for the whole structure
 Above ensures uniform lighting, no black dots and shadow.

Light Distribution



Two Steps Installation

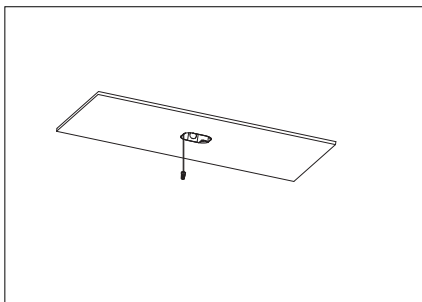


Step 1: Buckle

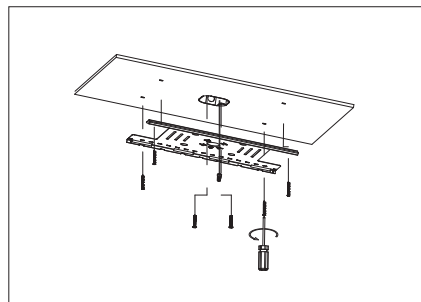


Step 2: Push

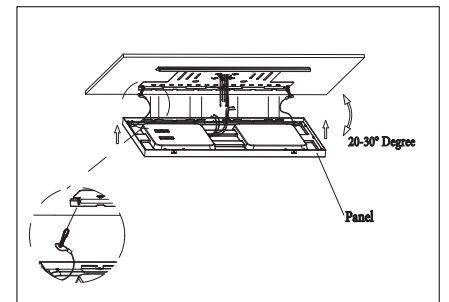
Installation Instructions:



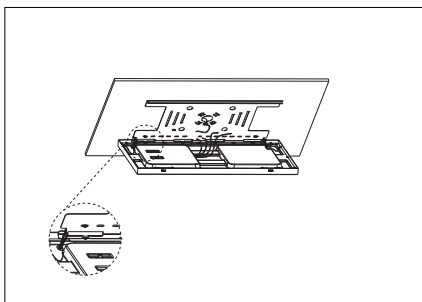
STEP 1: Turn-off / disconnect power at circuit breaker.



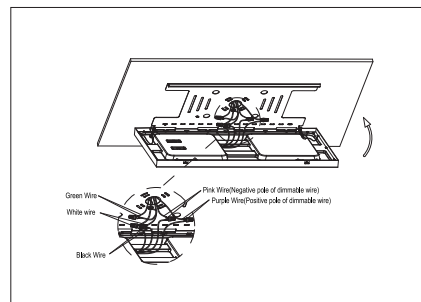
STEP 2: Attach the bracket to junction box using 2 screws.
 Pull the AC cables through the bracket center hole.
 Align the bracket to final position with 4 dry wall plugs.



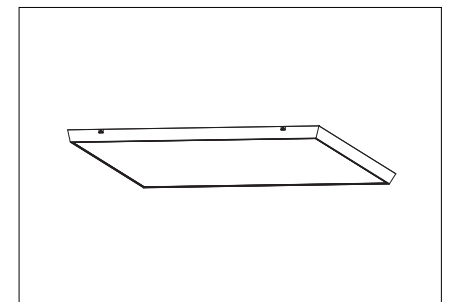
STEP 3: Attach safety rope into slot of bracket.
 Rest product on safety rope while doing electrical installation.
 Do not disconnect safety rope after installation.



STEP 4: Align the hooks of panel to holes of bracket at both end.



STEP 5: Make wire connections between fixture and junction box



STEP 6: Lift fixture up against bracket, Push to lock the fixture in place.