

Installation Instruction

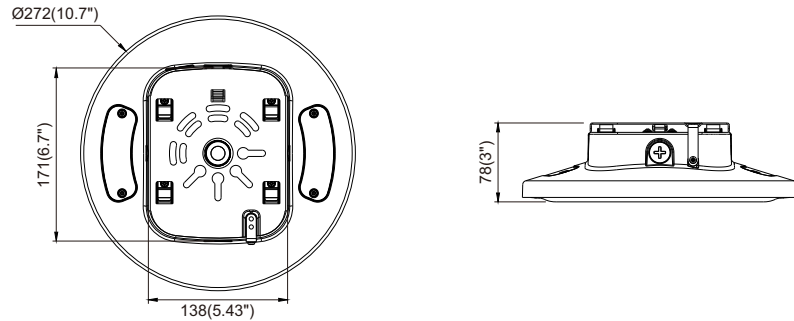
Cautions:

1. Please do not modify or dismantle the luminaire or replace accessories without confirming with the supplier first.
2. Do not install if the power cables are damaged.
3. Can not use the electric generator to test the LED lamp.
4. Please abide by related country, regional and local law and regulations when install this fixture.
5. Please turn off the power before installation or maintenance; Do not touch the power supply when the fixture is operating.
6. Proper earth grounding is required to ensure safety.

Notice:

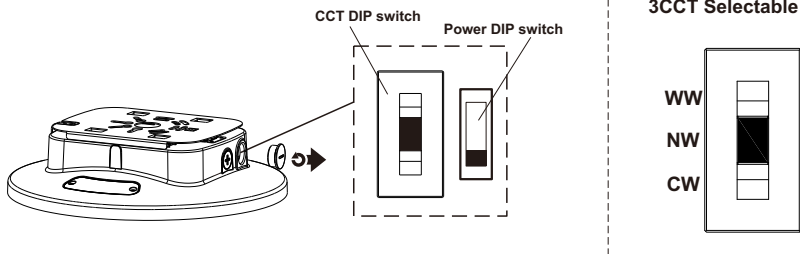
1. To avoid possibility of electrical shock or fire, the installation personnel must have professional electric knowledge.
2. Please wear gloves to avoid injury before installation.
3. If any smoke or spark of the wire happened, please turn off the power immediately and notify relevant personnel.
4. The product is designed for indoor parking area, garage, basement and similar applications. For other special applications, please consult your salesperson to confirm firstly.
5. An accumulation of dust or oil on PC lens will depreciate light output and increase heat buildup, which would affect performance. Periodic cleaning is recommended to ensure longer lifespan.

1. Physical Dimensions (Unit: mm/inch)

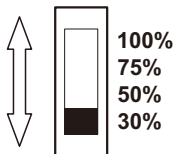


2. Power & CCT Selectable

* Warning: Please disconnect power before adjusting the power and CCT.



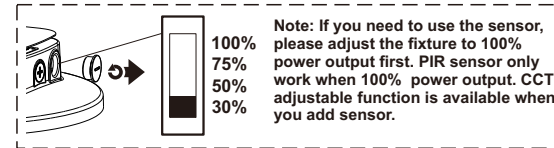
Power Selectable



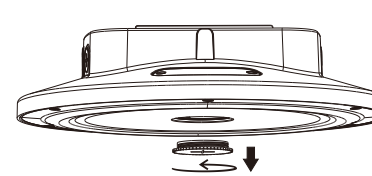
* The tolerance for power is $\pm 10\%$

| Power | 100% | 75% | 50% | 30% |
|-------|------|-----|-----|-----|
| 60W | 60W | 45W | 30W | 18W |

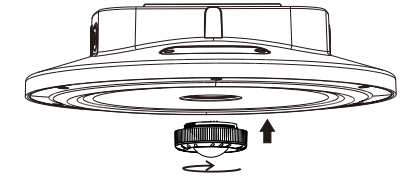
Sensor Mounting



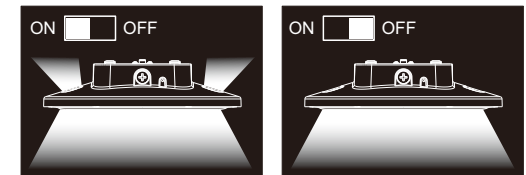
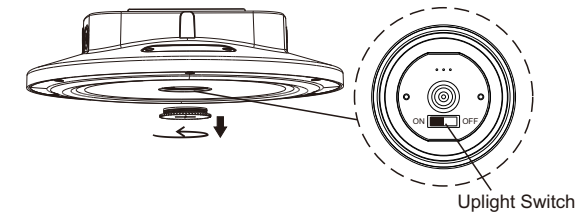
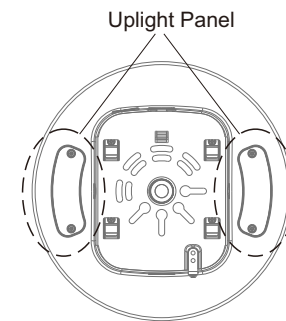
1



2

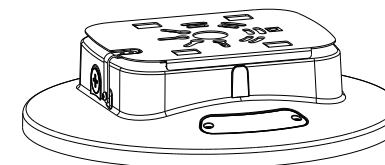


3. Uplight (optional)

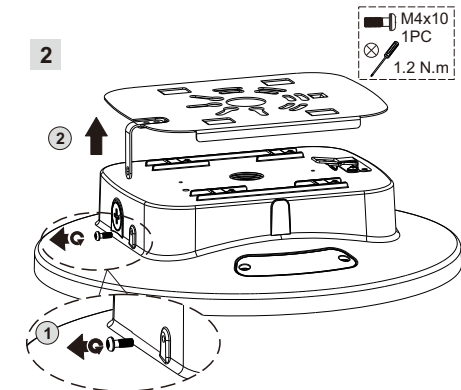


Ceiling Mounting

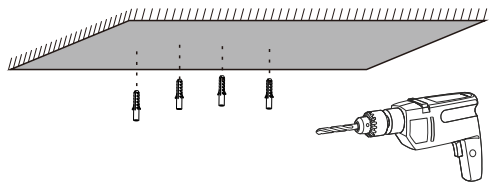
1



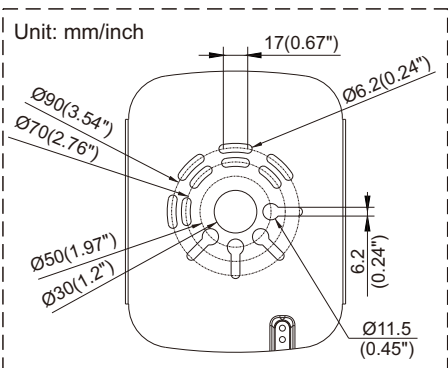
2



3

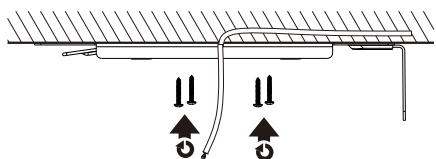


Drilling pattern:



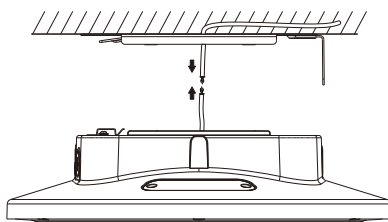
4 PCS
Ø8x40mm

4

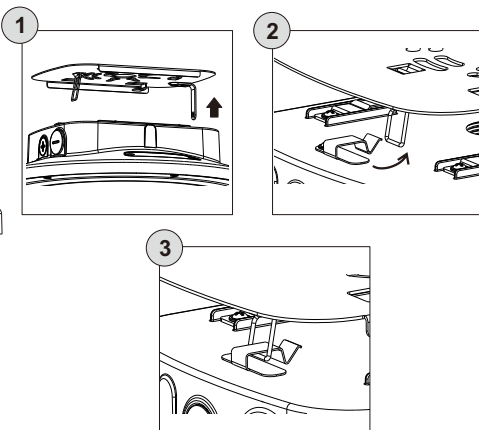
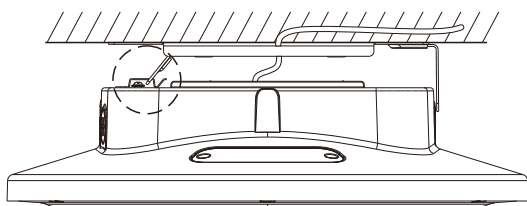


M5x40
4PCS
2 N.m

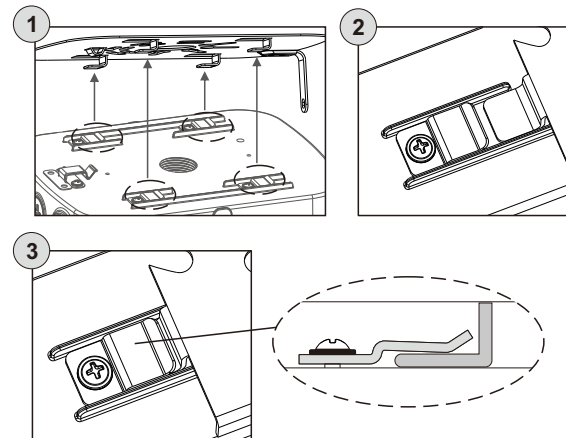
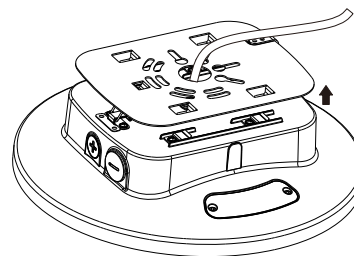
5



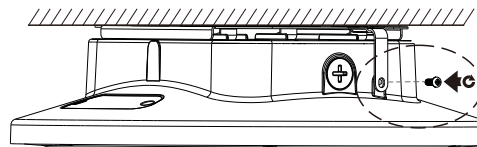
6



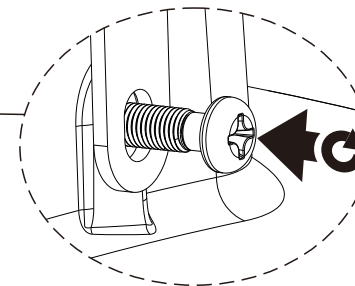
7



8

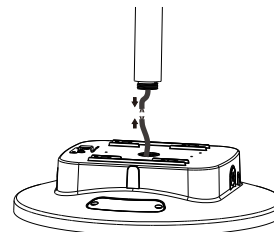


M4x10
1PC
1.2 N.m

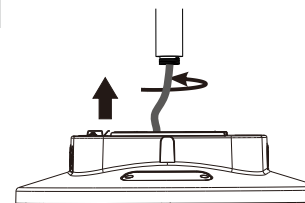


3/4" NPT Conduit Mounting

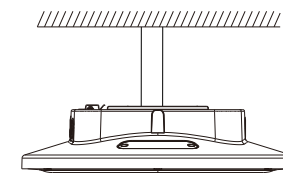
1



2

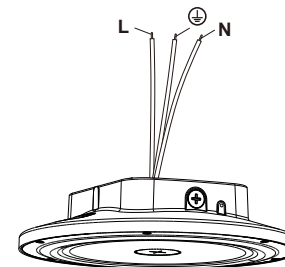


3



USE PLUMBERS TAPE/PUTTY FOR SECURE SEAL, OTHERWISE LUMINAIRE WILL NOT BE WATERTIGHT

Wiring Diagram



AC cords

| | | | |
|----------|--------------|--|-------|
| L | brown | | black |
| N | blue | | white |
| ⊕ | yellow/green | | green |