



Technical Specifications

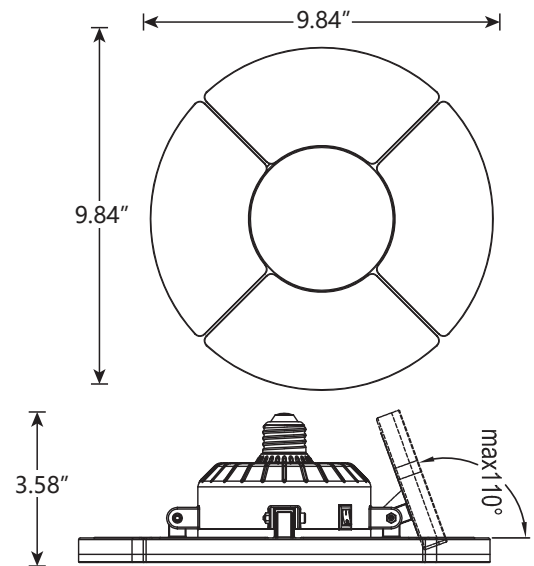
Model No.:		HLG-8W
OPTICAL	Input power	40W/60W/80W Adjustable
	Lumen	4000LM/6000LM/8000LM
	Lumen Efficiency	100LM/W
	CCT	2700K/3000K/3500K/4000K/5000K Adjustable
	CRI	> 80
ELECTRICAL	Input Voltage	120V
	PF	> 0.9
	THD	< %20
MAERIALS	LED Brand	Bridgelux
	LED Type	SMD2835
	Housing	Aluminium + Plastic
	Housing Color	White
	Cover	Flat Lens
	Waterproof Rating	Dry Location
	IK Rating	IK 10
OTHERS	Operating Temperature	-30°C To 45°C
	Operating Humidity	%10-%90 RH
	Storage Temperature	-40°C To 85°C
	Storage Humidity	%10-%95 RH
	Warranty Time	5 years

LED Garage Light

Advantage

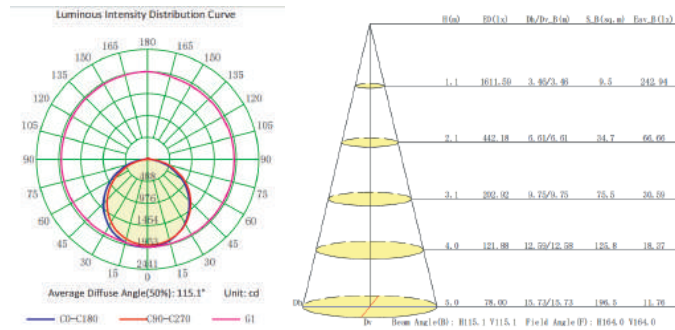
- Adjustable 4 panles
- Very bright and efficient. More that 100lm/W
- Watt adjustable: 40-60-80W
- CCT adjustable: 2700K-3000K-3500K-4000K-5000K
- E26 Base
- UL cUL certificate.
- No UV or IR in the beam.
- Easy to install and operate.
- Energy saving, Long lifespan.
- Light is soft and uniform, Safe to eyes.
- Instant start, NO flickering, NO humming.
- Green and eco-friendly without mercury.

Dimensions

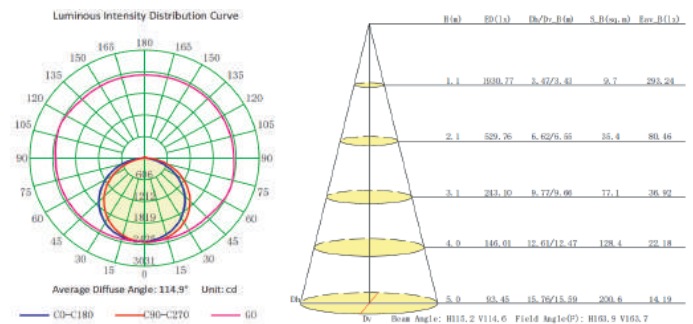


Light Distribution Testing Parameters

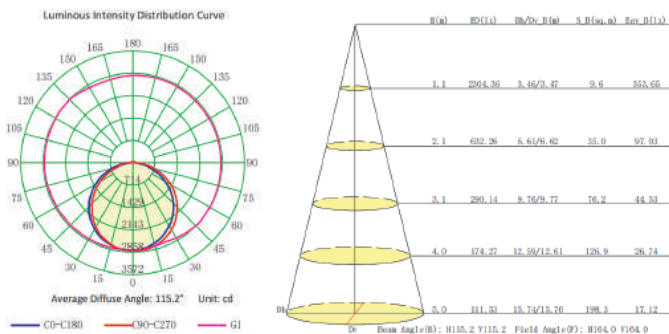
40W



60W



80W



Lumen Output

	40W	60W	80W
2700K	4395Lm	6062Lm	8072Lm
3000K	4682Lm	6340Lm	7960Lm
3500K	4938Lm	6553Lm	8176Lm
4000K	4933Lm	6584Lm	8523Lm
5000K	5042Lm	6461Lm	8096Lm

