



OPTIONS:



Microwave Sensor

Sensor Pre-settings

- Brightness: 100%
- Sensitivity: 100%
- Hold Time: 5mins
- Stand-by Dim: 30%
- Stand-by Time: 60mins
- Daylight Threshold: disable



Remote Control

Technical Specifications

	Model No.:	YR-TP421-W60/80/100-MTCP-PM-S-HV(30/40/50K)
OPTICAL	Input power	60W/80W/100W Adjustable
	Lumen	7800-13000LM
	Lumen Efficiency	>130LM/W
	CCT	3000K/4000K/5000K Adjustable
	CR	>70
	Viewing Angle	120 Degree
ELECTRICAL	Input Voltage	120-347V
	PF	>0.9
	THD	<20%
	Driver Brand	Zhihe
	LED Type	SMD2835
MATERIALS	LED QTY	280PCS
	Housing	Die Casting Aluminum
	Housing Color	Black
	Cover	Annular Lens
	Waterproof Rating	Wet IP65
	IK Rating	IK10
OTHERS	Operating Temperature	-40°C To 45°C
	Operating Humidity	10%-90% RH
	Storage Temperature	-40°C To 85°C
	Storage Humidity	10%-95% RH
	Warranty Time	5 years

Post Top LED

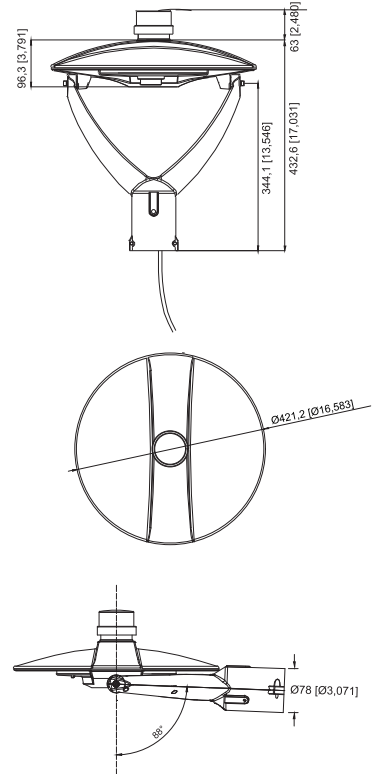
Advantage

- UL cUL certificate.
- SMD LED Chip, High CRI.
- IP65 Internal driver, Input voltage 120-347Vac
- No UV or IR in the beam.
- Easy to install and operate.
- Energy saving, Long lifespan.
- Light is soft and uniform, Safe to eyes.
Instant start, NO humming.
- Green and eco-friendly without mercury.
- Color Adjustable. 0-10 V Dimming.

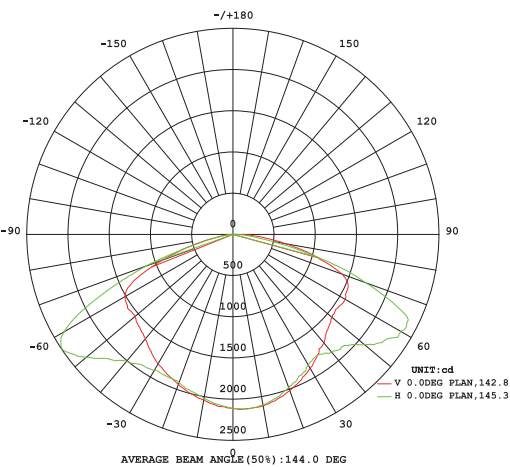
Application

Widely used in car parking area, plaza, roadway, pathway, square, general site & area lighting etc.

Dimension



Light Distribution Testing Parameters



Flux out: 17544 lm

Height	Eavg, Emax	Angle: 142.77deg	Diameter
1m	589.6, 4874lx		593.76cm
4m	36.85, 304.6lx		2375.05cm
6m	16.38, 135.4lx		3562.57cm
7m	12.03, 99.46lx		4156.34cm
8m	9.212, 76.15lx		4750.10cm
9m	7.279, 60.17lx		5343.86cm
10m	5.896, 48.74lx		5937.62cm
12m	4.094, 33.85lx		7125.15cm

Note: The Curves indicate the illuminated area and the average illumination when the luminaire is at different distance.

