

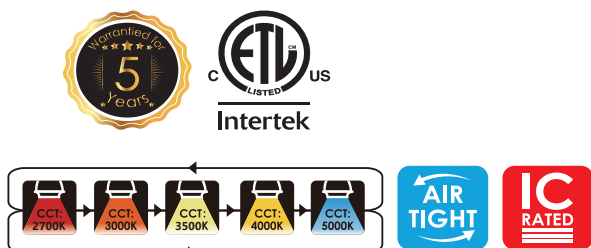
1" Module Downlight



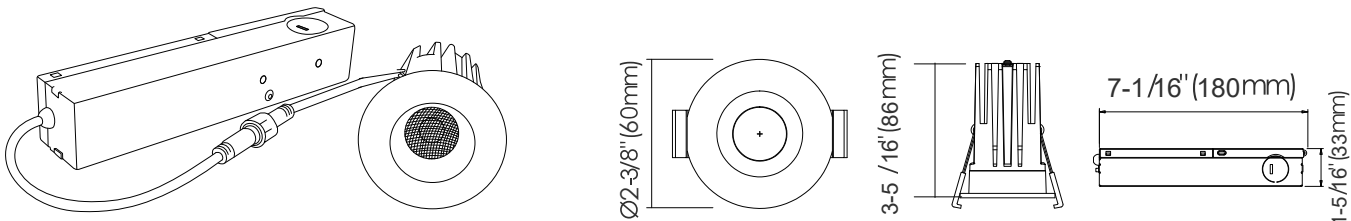
The canless LED recessed downlights in 1" round, square, built in fix type feature with deep regressed reflector which is an anti-glare function, offer a high end but cost-effective and enemy saving recessed lighting solution in both residential and commercial applications. It is with remote junction box with isolated dimming driver inside eliminating the use of traditional recessed housing can, totally a 3 in 1 design with light, trim and junction box, which help on easy installation and labor cost saving.

Technical Specifications

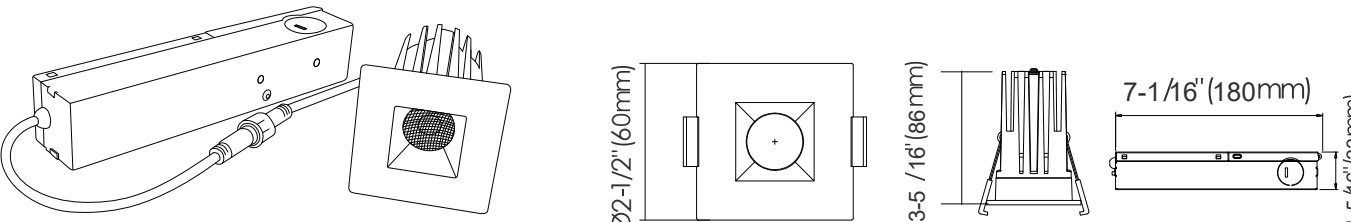
Model No.:	Round: VO-RP1W7-120-D-5WAY Square: VO-SP1W7-120-D-5WAY
Nominal Wattage(W)	7W
Lumens Delivered(LM)	500
Equivalency	50W INC
Efficiency(LM/W)	71
Cut Out Size	Φ54MM (2-1/8")
Beam Angle	°40
CRI	>90
Color Temperature(K)	2700K,3000K,3500K,4000K,5000K Adjustable
L70 Lifetime(Hrs)	>50,000
Voltage	120 Volts, Triac EVL Dimming %100-%10
Power Factor	>0.9
IC Rated	Yes
Air Tight	Yes
Material	Cold Forged Heat Sink/ Die cast Trim Ring
Exterior Finish	Matte White/Black
Mounting	Recessed With Remote Junction Box No Housing Required
Operating Temperature	-4°F to 104°F
Certificates	cETLus
Environment	Indoor Wet Location
Warranty	5 Years Limited



Dimensions



Fixture Includes:
1 LED Lamp
1 Junction Box



Fixture Includes:
1 LED Lamp
1 Junction Box

