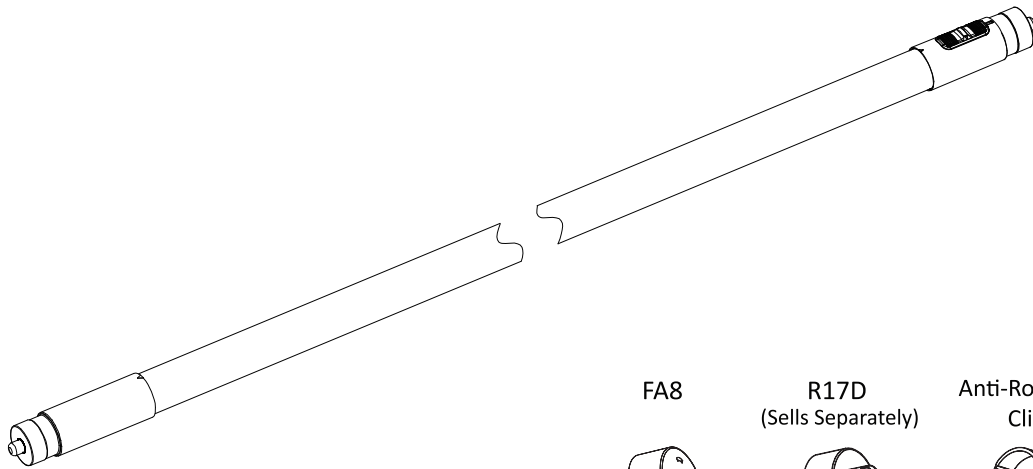
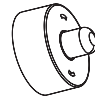


## INSTALLATION GUIDE

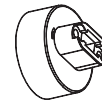
### Type B LED T8 Tube Light



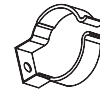
FA8



R17D  
(Sells Separately)



Anti-Rotation  
Clip



Please keep this Quick Installation Guide for future reference.  
Modifications to the product void the Warranty.  
Suitable to replace fluorescent lamps as specified on the product label.

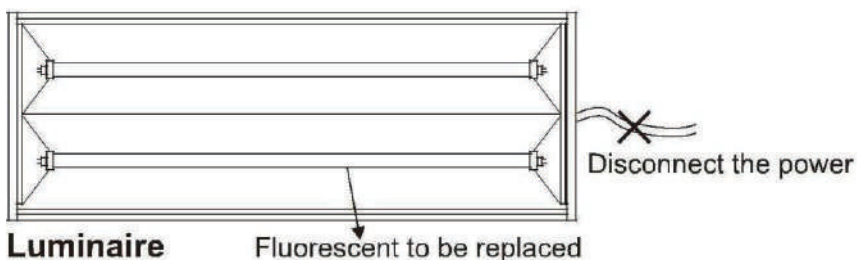
#### MARKINGS/WARNING:

- Risk of fire or electric shock. LED Retrofit Kit installation requires knowledge of luminaires electrical systems. If not qualified, do not attempt installation. Contact a qualified electrician.
- Risk of fire or electric shock. Install this kit only in the luminaires that have the construction features and dimensions shown in the photographs and/or drawings and where the input rating of the retrofit kit does not exceed the input rating of the luminaire.
- Do not make or alter any open holes in an enclosure of wiring or electrical components during kit installation.
- To prevent wiring damage or abrasion, do not expose wiring to edges of sheet metal or other sharp objects.
- Installers should not disconnect existing wires from lampholder terminals to make new connections at lampholder terminals. Instead installers should cut existing lampholder leads away from the lampholder and make new electrical connections to lampholder lead wires by employing applicable connectors.
- For a linear tubular LED lamp conversion, there shall be text or a diagram showing how the supply connections were made to the lampholders so the correct connections will be made to the lamp when the lamp is installed or replaced.
- This retrofit kit is accepted as a component of a luminaire where the suitability of the combination shall be determined by authorities having JURISDICTION.
- If the tube is installed as Type B, the luminaire, once modified as retrofit fixture, will no longer operate fluorescent lamps.

### Type B-Installation Guide:

#### Instructions

##### 1. DISCONNECT POWER OF LUMINAIRE



Disconnect power to luminaire or circuit (if possible). Ensure all power is off by using a voltmeter or other method to confirm.

##### 2. REMOVE EXISTING TUBE LAMP(S)

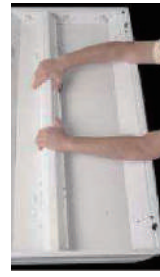
- Remove troffer lens, if present.
- Remove existing fluorescent by rotating one quarter turn and sliding lamp(s)
- Remove ballast cover. (Cover may be secured with screws or tabs)



a) Troffer and lamps



b) Remove tube lamps

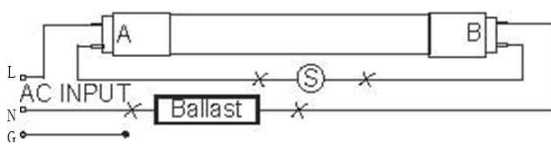


c) Remove ballast cover (lens removed)

### 3. RETROFIT LUMINAIRE

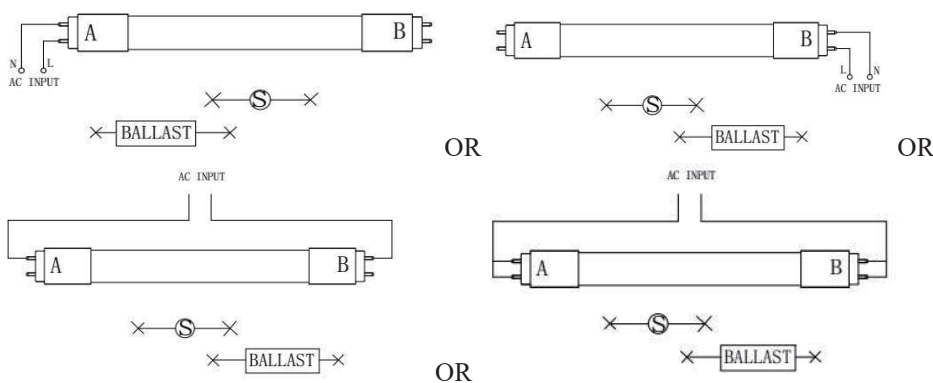
Retrofit luminaire with electronic ballast

1) Disconnect the wires between starter and ballast according to the below figure.



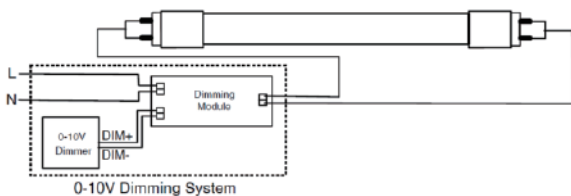
2) Connect two wires to branch circuit L and N according to the below figure.

Case 1: Direct AC wiring diagram without dimming



Voltage Input: AC120-277V 50/60Hz

Case 2: Direct AC wiring diagram with 0-10V dimming system



Voltage Input: AC120-277V 50/60Hz

### 4. INSERT LED TUBES

- Read label on the LED tube to ensure the power end of LED is aligned with powered tube socket, then insert LED lamp in the normal way by sliding pins into sockets and rotating a quarter turn until LED tube locks in place.
- LED lamps are now fully installed.
- Replace troffer lens, if present.
- After modification completed. Attach the Replacement Marking and cautionary Label to a visible place on the luminaire and keep it visible after installation.

### 5. RESTORE THE POWER OF LUMINAIRE

Restore power to circuit/luminaire and test light. If necessary, adjust position of LED tube, and enjoy your new LED tube light!