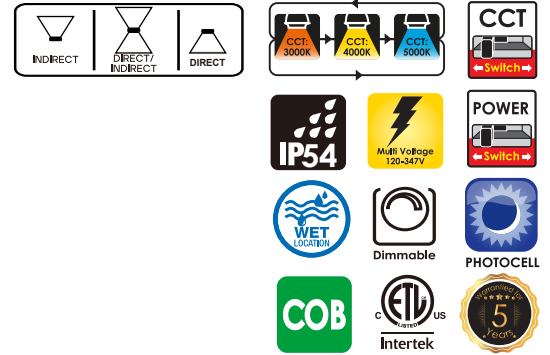


Project : _____
 Type : _____
 Drawn by : _____
 Catalogue No. : _____
 Date : _____



Specifications

Model No.		OW0608G-2-20-853-BK
General	Watts	40W/30W/20W Selectable
	HID Equivalent	2X100W
	Lumen	2800lm/2100lm/1400lm
	Base	Intergrated LED
	CCT	3000K/4000K/5000K Adjustable
	Volts	120-347V
	CRI	>80
	Beam Angel	25 degree
	Hours Rated	50000 hours
THD	<20%	
Electrical	Operating Frequency	50-60Hz
	Power Factor	>0.95
	Driver brand	Factory Driver
	LED Type	COB
	Operating Temperature	-25°C to 40°C
Physical	Fixture Size	14inch H x 5.7inch W x 8.23inch E
	Cylinder Diameter	5.7inch
	Lens Material	Clear Glass
	Housing	Aluminium
	Housing Color	BLACK
	Weight (Kg)	5.49
Additional Information	Additional Info	CCT+Power adjustable, day light photocell
	Warranty	5 years
Compliance	Safety Listing	CETL-listed
	Location Rating	Wet

Features & Specifications

Construction

- Pure light aluminum shell provides optimal heat dissipation and high lumen efficacy.
- Clear glass lens over LEDs provides a high light efficacy.
- Wattage, color temperature and light control are combined in one switch.
- Color Adjustable. 0-10V Dimming.
- Easy to install and operate.
- Light is soft, NO flickering, NO humming.

Mounting

- Wall mount only and suitable for J-Box.

Performance Data

- Available in 3000K/4000/5000 K selectable color temperature.
- 80+ CRI.
- Electrical ratings: 120-347 V.
- Estimated life of 50000 hours.
- 0-10 V dimming driver.
Selection for up-light, down-light, up+down-light.
- 2x20W COB total, 40W/30W/20W Selectable.
- Operating temperature: -25°C to 40°C.

Compliances

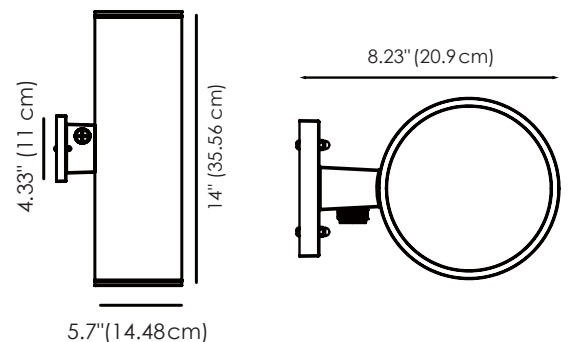
- CETL certified for wet locations.
- IP54.
- Energy saving, Long lifespan. Excellent distribution and uniformity.

Application

- Highlight buildings, Hallways, Lobbies, Entrances & other commercial & residential projects.

Dimensions & Weights

Model	OW0608G-2-20-853-BK
Width in. (cm)	8.23 (20.90)
Diameter in.(cm)	5.7 (14.48)
Height in. (cm)	14 (35.56)
Net weight (lbs)	5.49



Product Details



Compatible Dimmers

Brand	Model
LUTRON	DVSTV-WH / DVSTV-453PH-WH
LEVITON	IP710-DLZ / IP701-LFZ

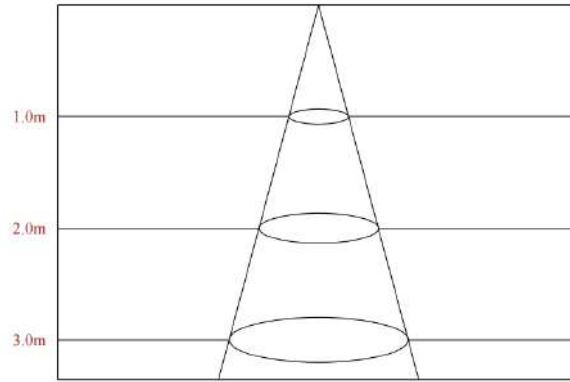
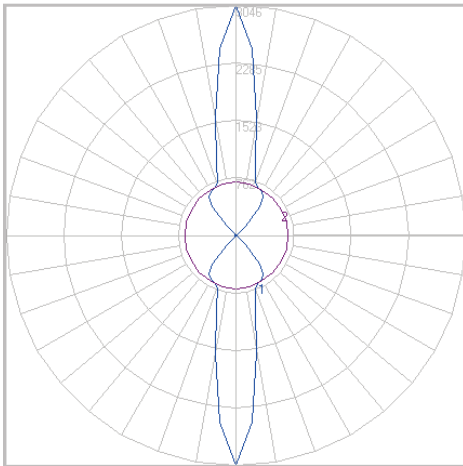
Dimming range : 10%-100%

This table shows dimmers that have been tested and have demonstrated proper operation under normal conditions. Each installation being unique, various factors such as load, common neutrals or other electrical products on the circuit can, in certain instances, cause variance in system performance.

Read and comply to the dimmer installation instructions. Some dimmers may require more than one product for stable operation.

recommends to use dimmers designed to work with LED products. Older dimmers designed for incandescent products may cause erratic operation.

Light Distribution Testing Parameters



Max. Ave Beam angle of C30 plane 3226 10

Lumen Details

Model No.:	Watts (W)	3000K		4000K		5000K	
		Lumen Output (LM)	Efficiency (LM/W)	Lumen Output (LM)	Efficiency (LM/W)	Lumen Output (LM)	Efficiency (LM/W)
OW0608G-2-20-853-BK	20W	1400LM	70	1540LM	77	1460LM	73
	30W	2100LM	70	2310LM	77	2190LM	73
	40W	2800LM	70	3080LM	77	2920LM	73

A collection of icons representing product features: CCT (3000K, 4000K, 5000K), CCT Switch, IP54, Multi Voltage (120-347V), POWER Switch, WET LOCATION, Dimmable, PHOTOCELL, COB, ETL Intertek, 5 Year warranty, and lighting patterns (INDIRECT, DIRECT/INDIRECT, DIRECT).

Data is based upon tests performed in a controlled environment. Actual performance can vary depending on operating conditions. All products are subject to change or may be discontinued any time without notice. Please contact your Votatec customer service representative to confirm inventory levels at time of order

