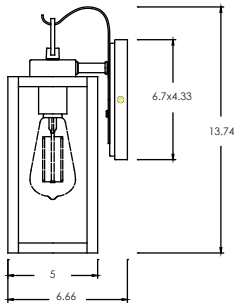


FS00355



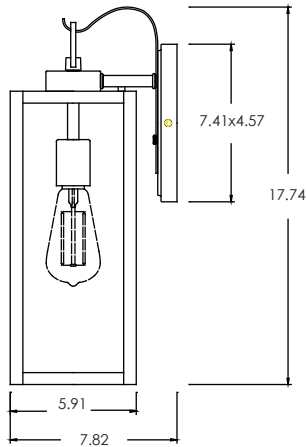
5"D x 13.74"H x 6.66"E
1x 60W.M

FS00493



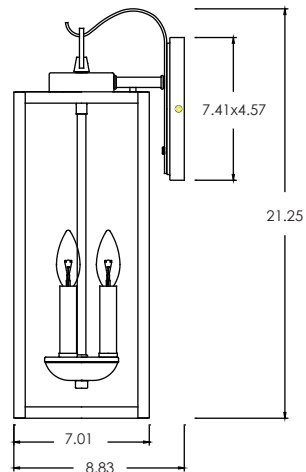
PIR SENSOR

12151M



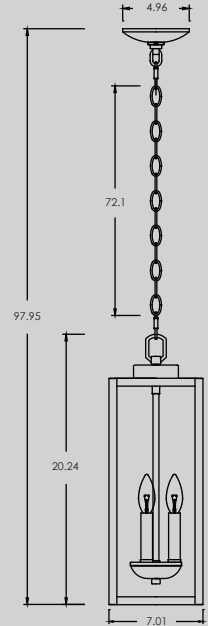
5.91"D x 17.74"H x 7.82"E
1x 60W.M

VO-12151LA-CG



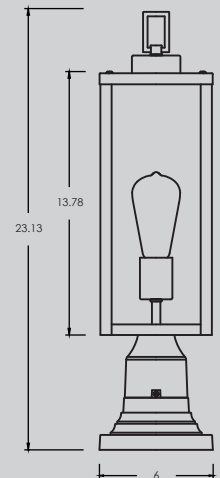
7.01"D x 21.25"H x 8.83"E
3x 60W.C

VO-12151LA-CG-CH



7.01"D x 20.24"H
3x 60W.C

FS00682



6"D x 23.13"H
1x 60W.C

