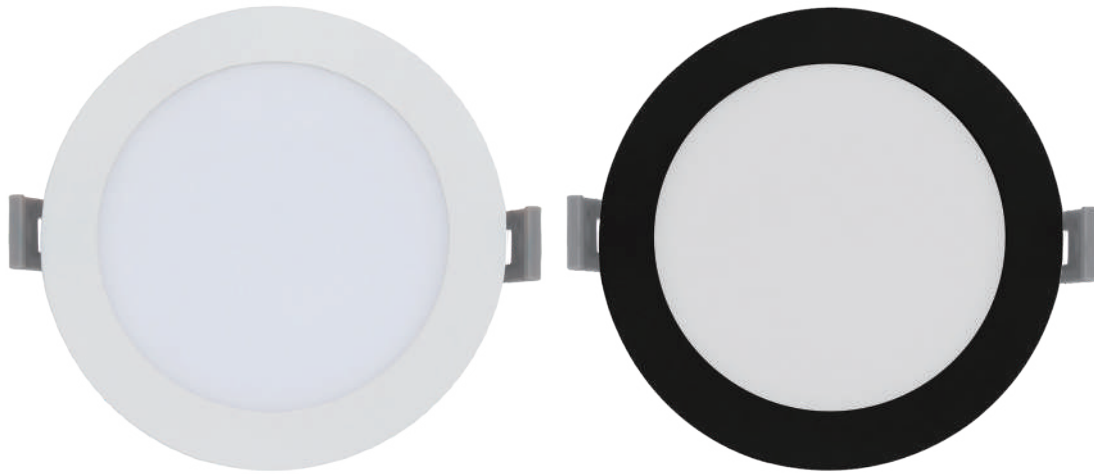


Project : \_\_\_\_\_  
 Type : \_\_\_\_\_  
 Drawn by : \_\_\_\_\_  
 Catalogue No. : \_\_\_\_\_  
 Date : \_\_\_\_\_



## Specifications

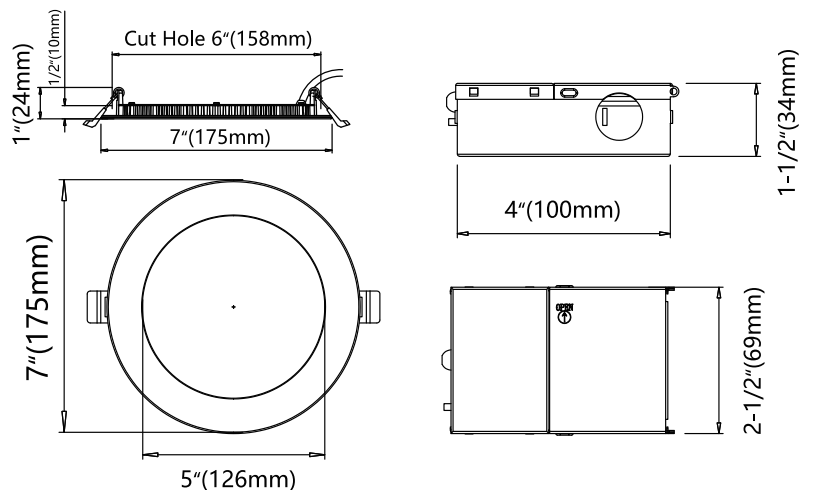
Model No.		<input type="checkbox"/> VO-RP6W12-120-D-5WAY Round/WH	<input type="checkbox"/> VO-RP6W12-120-D-5WAY Round/BK
General	Watts	12W	12W
	HID Equivalent	60W	60W
	Lumen	960lm	960lm
	CCT	2700K/3000K/3500K/4000K/5000K	2700K/3000K/3500K/4000K/5000K
	Volts	120V	120V
	CRI	>90	>90
	Beam Angle	110°	110°
	Hours Rated	50000 hours	50000 hours
	Min Compartment Size	7" x 1"	7" x 1"
Electrical	Operating Frequency	60Hz	60Hz
	Power Factor	>0.9	>0.9
	Operating Position	Both Horizontal&Vertical	Both Horizontal&Vertical
	Surge Protection	Built-in surge protection-2.5KV	Built-in surge protection-2.5KV
	Operating Temperature	-20°C /-4°F to 40°C/104°F	-20°C /-4°F to 40°C/104°F
Physical	Housing Color	White	Black
	Weight (Kg)	Round:0.37	Round:0.37
Additional Information	Additional Info	5 way CCT	5 way CCT
	Rated For Enclosed Fixture	Yes	Yes
	Warranty	5 years	5 years
Compliance	Safety Listing	CETLus-Listed	CETLus-Listed
	Location Rating	Wet	Wet
	Energy Star	Yes	Yes
	DLC Approved	No	No

## Features & Specifications

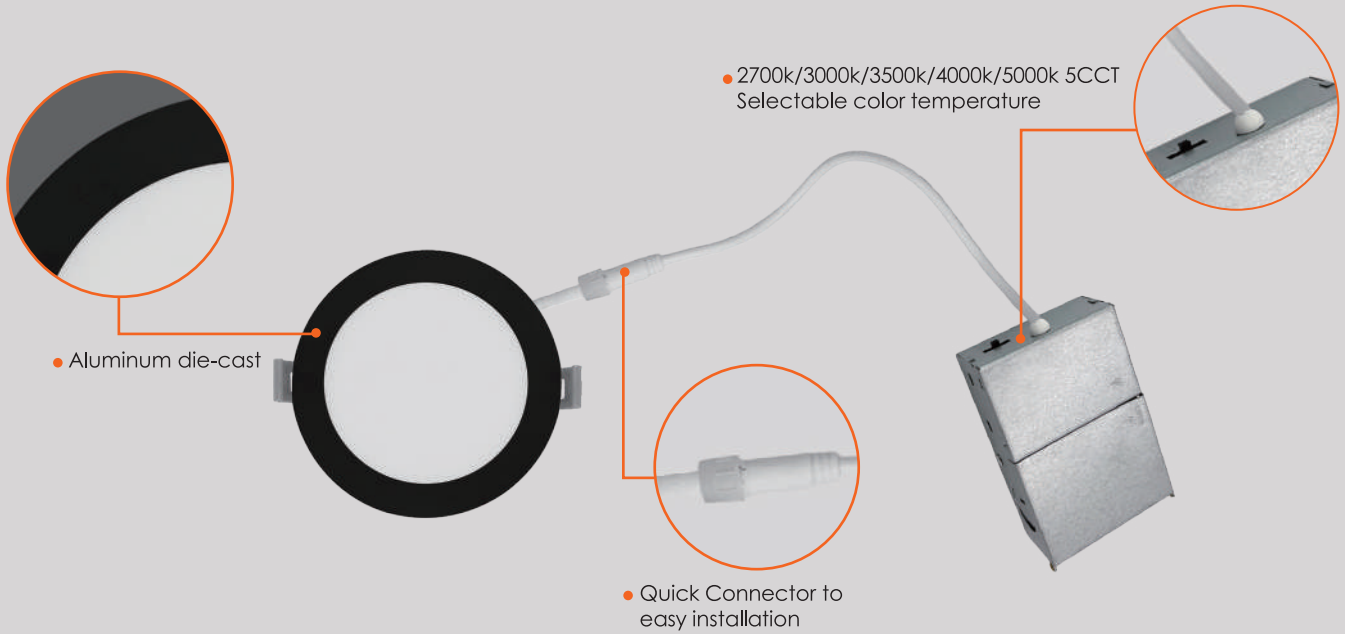
<b>Construction</b>	<ul style="list-style-type: none"> <li>• Construction: One piece die-cast aluminum trim and heat sink construction</li> <li>• Multiple LED array for uniform illumination</li> <li>• CCT switches are placed discretely inside the driver housing</li> </ul>
<b>Mounting</b>	<ul style="list-style-type: none"> <li>• Easy installation for remodel or new construction applications</li> </ul>
<b>Performance Data</b>	<ul style="list-style-type: none"> <li>• Available in 2700k/3000k/3500k/4000k/5000k selectable color temperature</li> <li>• 90+ CRI</li> <li>• Electrical ratings: 120v</li> <li>• Estimated life of over 100 000 hours to L70</li> <li>• TRIAC Dimming</li> <li>• 2.5kV surge protection (standard)</li> <li>• Operating temperature: -20°C /-4°F to 40°C/104°F</li> </ul>
<b>Compliances</b>	<ul style="list-style-type: none"> <li>• cETL certified for wet locations</li> <li>• IP54</li> </ul>

## Dimensions & Weights

Model No.	VO-RP6W12-120-D-5WAY
Diameter in.(cm)	7"(17.5cm)
Height in. (cm)	1"(2.4cm)
Net weight (lbs)	0.82



### Product Details



## Compatible Dimmers

BRAND	SERIES	MODEL
LUTRON	SKYLARK	S-600
LUTRON	/	153P
LEVITON	SURESLIDE	6633-P
LUTRON	RadioRA 2	RRD-10ND
LUTRON	Diva	DVCL-153P
LUTRON	Ariadni	AY-600P
LUTRON	SKYLARK	CTCL-153P
LEGRAND	/	LS603PWV
LUTRON	TOGGLER	TGCL-153P
LUTRON	SKYLARK	S-600P
LUTRON	SKYLARK	S-603PG
LUTRON	Lumea	LGCL-153PL
LUTRON	Lumea	LG-603P
LUTRON	Rotany	D-600P
LEVITON	Decora	6631-L
LEVITON	Decora	6681
LEVITON	SURESLIDE	6613-P
LEVITON	ILLUMATECH	IPI06-1LZ
LUTRON	/	D-600PH-DK
LEVITON	Vizia	VPE06
LUTRON	Maestro	MACL-153M
LUTRON	SKYLARK	CTELV-303P
LUTRON	Diva	DVELV-300P
LUTRON	Diva	DV-600P
LUTRON	SKYLARK	SELV-300P
LEVITON	Decora	6674
LUTRON	SKYLARK	SCL-153P
LUTRON	Nova	NLV-600
LUTRON	RadioRA 2	RRD-6NA-WH
LUTRON	Diva	MAELV-600-WH
LEVITON	Decora	6672
LUTRON	/	PD-6WCL-WH Caseta
LUTRON	Diva	DVLV-600P
LEGRAND	/	RHCL453P
LEGRAND	/	RH703P
LEGRAND	/	ADPD703H

Dimming range : 10%-100%

This table shows dimmers that have been tested and have demonstrated proper operation under normal conditions. Each installation being unique, various factors such as load, common neutrals or other electrical products on the circuit can, in certain instances, cause variance in system performance.

Read and comply to the dimmer installation instructions. Some dimmers may require more than one product for stable operation.

recommends to use dimmers designed to work with LED products. Older dimmers designed for incandescent products may cause erratic operation.

### Lumen Details

Model No.:	Watts (W)	2700K		3000K		3500K		4000K		5000K	
		Lumen Output (LM)	Efficiency (LM/W)	Lumen Output (LM)	Efficiency (LM/W)	Lumen Output (LM)	Efficiency (LM/W)	Lumen Output (LM)	Efficiency (LM/W)	Lumen Output (LM)	Efficiency (LM/W)
VO-RP6W12-120-D-5WAY	12W	951.003LM	81.88	1030.79LM	90.63	1092.01LM	98.43	1107.72LM	98.33	1049.73LM	89.80



Data is based upon tests performed in a controlled environment. Actual performance can vary depending on operating conditions. All products are subject to change or may be discontinued any time without notice. Please contact your Votatec customer service representative to confirm inventory levels at time of order

