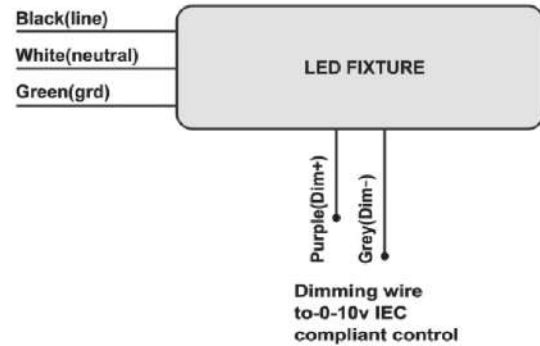


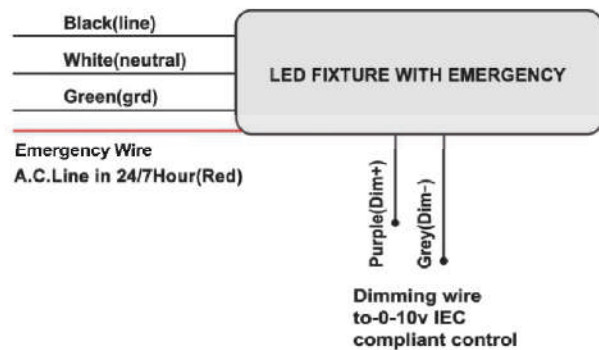
**Linear Strip Fixture**  
CCT & Power Selectable



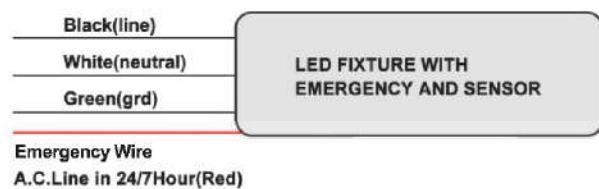
**General Wiring Diagram**



**Wiring Diagram With Emergency**



**Wiring Diagram With Emergency and Sensor**



**Note:**

In the case of 208 or 240 line voltage, the 2<sup>nd</sup> hot leg will be connected to the white lead coming from the fixture.

**IMPORTANT:**

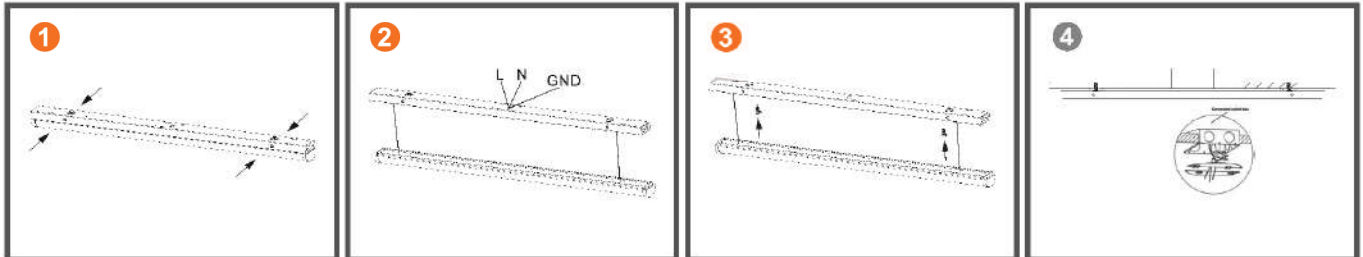
Before assembling your fixture, please make sure that you carefully read through this instruction sheet. Consider having your fixture installed by a qualified licensed electrician.

**Note:** The important safeguards and instructions that appear in this sheet are not meant to cover all possible conditions and situations that may occur. It must be understood that common sense, caution, and care are factors that cannot be built into any product. These factors must be supplied by the person(s) caring for and operating the fixture.

**WARNING:**

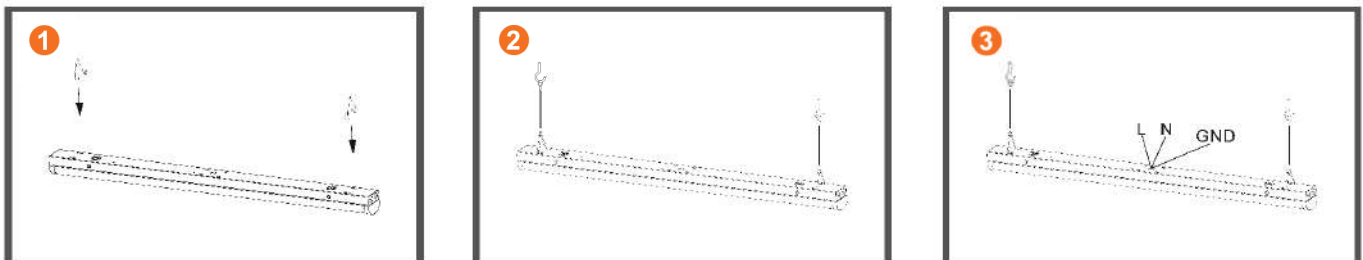
- Turn off electrical power at fuse or circuit breaker box before wiring fixture to the power supply.
- Turn off the power when you perform any maintenance.
- Verify that supply voltage is correct by comparing it with the luminaire label information.
- Modifications to the product voids the warranty.

### Surface Mount Installation



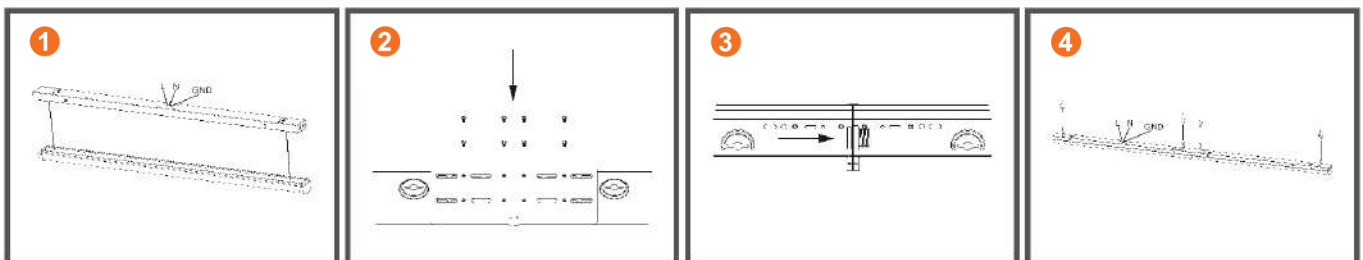
1. Bolt the brackets to ceiling, beam, joist or rain (bolts not included). Press open left and right double ends plastic fixing fixture.
2. Connect the wiring in accordance to the wiring diagram in these specifications. If dimming is not required, then keep caps on dimming leads.
3. Then mount the fixture onto the ceiling with mounting crews.
4. When the wire connection is completed, screw the wiring cover, align and fasten the left and right plastic clamps. Installation completed.

### Chain Hang Installation



1. Install the hanging hooks (included) onto the top of the fixture. Make sure the wiring hangers are fully engaged into the holes on the top channel.
2. Hook the chain onto the hanging hooks, then onto the ceiling anchors (not provided).
3. Open the wiring cover and make the wiring connections with terminal cap (refer to the General Wiring Diagram), then replace the wiring cover.
4. Installation completed.

### Linkable Installation



1. Press open left and right double ends plastic fixing fixture.
2. For the first fixture (where power will be directly connected), open the wiring cover and make the wiring connections with terminal cap (refer to the General Wiring Diagram) and replace the wiring cover.
3. Make the necessary wiring connections to add feed-through wires for connecting the first fixture to the second fixture. Feed wires through the side knockouts. The inside of the fixture is connected and locked with screws, Use the connecting fittings to lock the back of the fixture.
4. For surface mounting, screw the fixtures onto the ceiling and re-affix the lens and end caps onto the fixtures.
5. For chain hanging, hook the chain onto the hanging hooks, then onto the ceiling anchors (not provided).