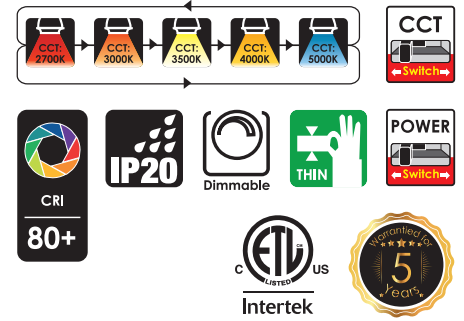


Project : _____
 Type : _____
 Drawn by : _____
 Catalogue No. : _____
 Date : _____



Specifications

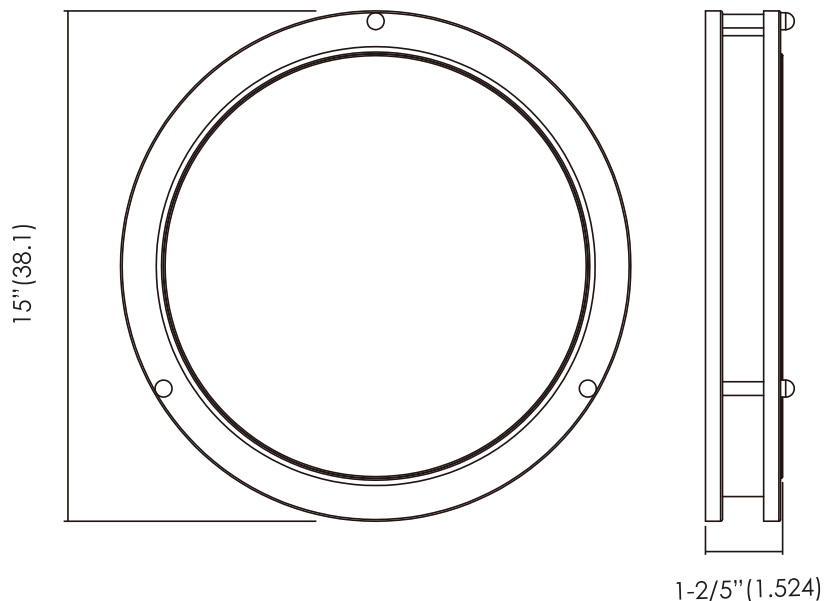
Model No.		<input type="checkbox"/> VO-RF15W24-120-D-5Way/SL	<input type="checkbox"/> VO-RF15W24-120-D-5Way/BK	<input type="checkbox"/> VO-RF15W24-120-D-5Way/BB
General	Watt	24W/22W/20W/18W/15W Adj	24W/22W/20W/18W/15W Adj	24W/22W/20W/18W/15W Adj
	HID Equivalent	125 W	125 W	125 W
	Lumen	1300Lm-2080Lm	1300Lm-2080Lm	1300Lm-2080Lm
	CCT	2700K/3000K/3500K/4000K/5000K Adj	2700K/3000K/3500K/4000K/5000K Adj	2700K/3000K/3500K/4000K/5000K Adj
	Volts	120V	120V	120V
	CRI	>80	>80	>80
	Beam Angle	140°	140°	140°
	Hours Rated	50000 hours	50000 hours	50000 hours
Electrical	Min Compartment Size	Ø15"x1-2/5"	Ø15"x1-2/5"	Ø15"x1-2/5"
	Operating Frequency	50/60Hz	50/60Hz	50/60Hz
	Power Factor	>0.9	>0.9	>0.9
	Operating Position	Both Horizontal&Vertical	Both Horizontal&Vertical	Both Horizontal&Vertical
Physical	Surge Protection	Built-in surge protection-2.5KV	Built-in surge protection-2.5KV	Built-in surge protection-2.5KV
	Operating Temperature	-20°C /-4°F to 40°C/104°F	-20°C /-4°F to 40°C/104°F	-20°C /-4°F to 40°C/104°F
	Lens Material	PMMA	PMMA	PMMA
Additional Information	Housing Color	Silver	Black	Gold
	Weight (Kg)	1.32	1.32	1.32
Compliance	Additional Info	5 way CCT and 5 way wattage	5 way CCT and 5 way wattage	5 way CCT and 5 way wattage
	Warranty	5 years	5 years	5 years
	Safety Listing	CETLus-Listed	CETLus-Listed	CETLus-Listed
	Location Rating	Damp location	Damp location	Damp location
	Energy Star	No	No	No
	DLC Approved	No	No	No
	DLC ID	No	No	No

Features & Specifications

Construction	<ul style="list-style-type: none"> • Construction: Iron with PMMA lens • Multiple LED array for uniform illumination • CCT switches and Power switches are placed discretely on the ring
Mounting	<ul style="list-style-type: none"> • Easy installation for remodel or new construction applications With 2700K/3000K/3500K/4000K/5000K 5 way CCT and 5 way wattage ADJ selectable • Twin high gauge iron rings surround a smooth white PMMA diffuser for low glow
Performance Data	<ul style="list-style-type: none"> • Available in 2700K/3000K/3500K/4000K/5000K selectable color temperature • 80+ CRI • Electrical ratings: 120v • Estimated life of over 100 000 hours to L70 • ELV&TRIACDimming • 2.5kV surge protection (standard) • Operating temperature: -20°C /-4°F to 40°C/104°F
Compliances	<ul style="list-style-type: none"> • ETL certified for damp locations • IP20

Dimensions & Weights

Model No.	VO-RF15W24
Diameter in.(cm)	15"(38.1)
Height in. (cm)	1-2/5"(1.524)
Net weight (lbs)	2.9



Product Details



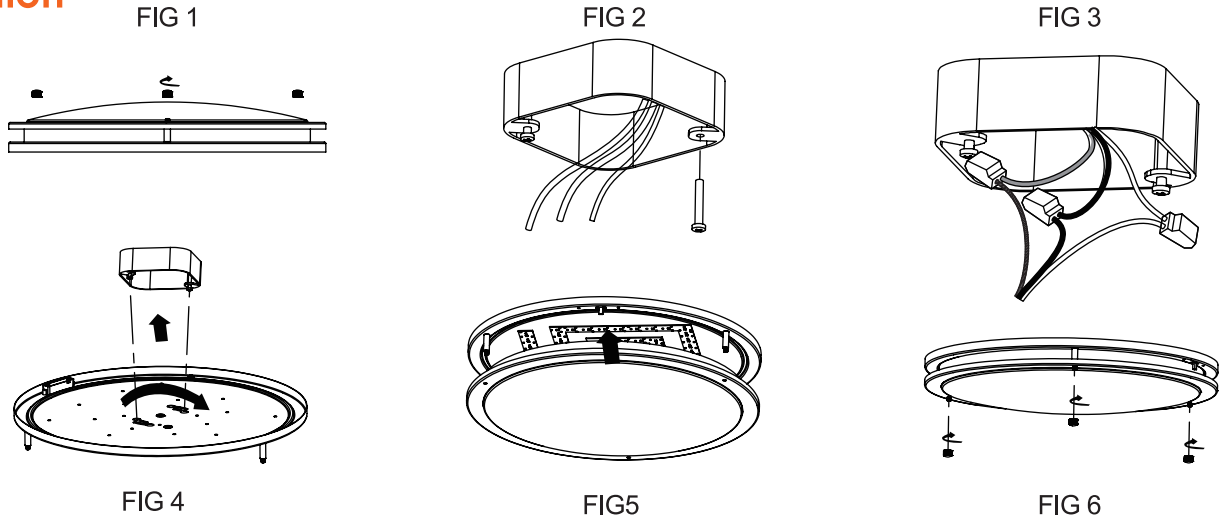
Compatible Dimmers

BRAND	MODEL
HILUTRON	DVCL-153PLH
LUTRON	S600-P
LUTRON	DV600-P15
LUTRON	MACL-153M
LUTRON	CTCL-153P
LUTRON	MS-OPS2
LUTRON	CTCL-153P
LUTRON	PD-6WCL
LEVITON	6674
LEVITON	6681

Dimming range : 10%-100%

This table shows dimmers that have been tested and have demonstrated proper operation under normal conditions. Each installation being unique, various factors such as load, common neutrals performance. Read and comply to the dimmer installation instructions. Some dimmers may require more than one product for stable operation. recommends to use dimmers designed to work with LED products. Older dimmers designed for incandescent products may cause erratic operation.

Installation



Lumen Details

Model No.:	Watts (W)	2700K		3000K		3500K		4000K		5000K	
		Lumen Output (LM)	Efficiency (LM/W)	Lumen Output (LM)	Efficiency (LM/W)	Lumen Output (LM)	Efficiency (LM/W)	Lumen Output (LM)	Efficiency (LM/W)	Lumen Output (LM)	Efficiency (LM/W)
VO-RF15W24-120-D-5Way	24W	1923LM	80	2082LM	87	2155LM	90	2115LM	88	2056LM	86
	22W	1798LM	82	1932LM	88	1986LM	90	1989LM	90	1925LM	88
	20W	1638LM	82	1751LM	88	1804LM	90	1802LM	90	1752LM	88
	18W	1545LM	86	1655LM	92	1704LM	95	1694LM	94	1661LM	92
	15W	1339LM	89	1427LM	95	1456LM	97	1462LM	97	1436LM	96



Data is based upon tests performed in a controlled environment. Actual performance can vary depending on operating conditions. All products are subject to change or may be discontinued any time without notice. Please contact your Votatec customer service representative to confirm inventory levels at time of order

