



Technical Specifications

Model No.:		VO-GDW8-3WAY-12-BR		
OPTICAL	Input power	8W		
	Lumen Output	3000K	4000K	5000K
		620lm	650lm	630lm
	Lumen Efficiency	75LM/W±10%		
	CCT	3000K/4000K/5000K Adjustable		
	CRI	80		
Viewing Angle	60°			
ELECTRICAL	Input Voltage	AC/DC12V		
	PF	1		
MATERIALS	LED Type	3030 SMD		
	LED QTY	12pcs		
	Housing	Aluminum		
	Housing Color	Bronze		
	Waterproof Rating	IP65		
	K Rating	IK05		
OTHERS	Operating Temperature	-20 C -40 C		
	Operating Humidity	10-95%		
	Storage Temperature	-20 C -60 C		
	Storage Humidity	10-95%		
	Warranty Time	5years		

Landscape Wall Light

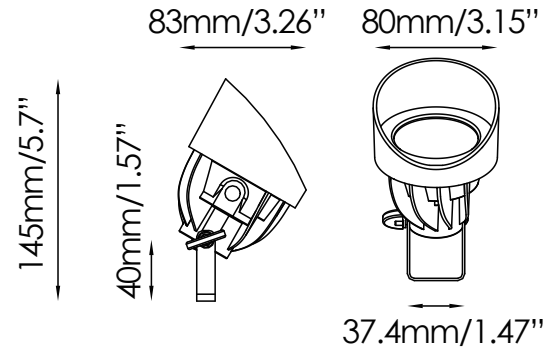
Advantage

- Adjustable positioning feature, allowing the light to be directed precisely where it's needed.
- Designed for ease of installation, this light fixture can be quickly mounted on any outdoor wall.
- Die-cast Aluminum Material.
- 3CCT adjustable: 3000K/4000K/5000K.
- Easy Installation.
- IP65.
- 60cm cable included.

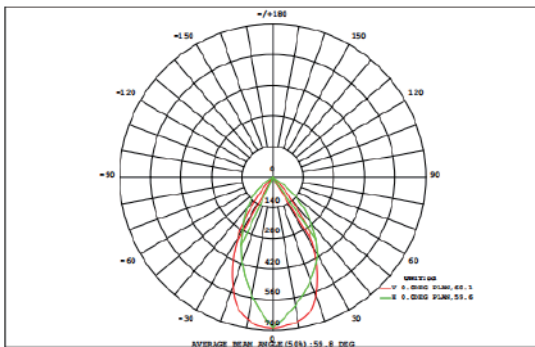
Application

Residential Properties, Commercial Properties, Public Spaces, Architectural Lighting, Landscaping Features.

Dimensions



Light Distribution Testing Parameters

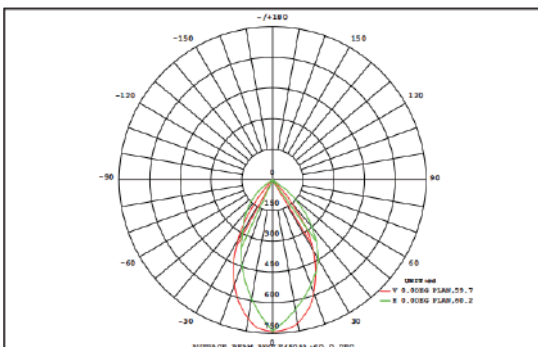


Flux out: 994.9 lm

Height	Ray1,Beam	Angle: 59.57deg	Diameter
1m	377.1, 690.51x		114.46cm
2m	84.28, 172.61x		229.93cm
3m	41.90, 74.731x		345.39cm
4m	23.57, 43.161x		457.65cm
5m	15.06, 27.681x		572.33cm
6m	10.48, 19.181x		686.78cm
7m	7.697, 14.091x		801.23cm
8m	5.893, 10.791x		915.71cm
9m	4.696, 8.5251x		1030.17cm
10m	3.771, 6.9851x		1144.64cm

Note: The Curves indicate the illuminated area and the average illumination when the luminaire is at different distance.

3000K

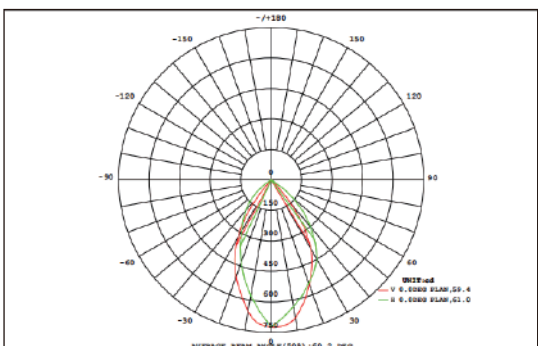


Flux out: 416.1 lm

Height	Ray1,Beam	Angle: 59.71deg	Diameter
1m	397.3, 741.23x		114.79cm
2m	99.34, 185.31x		229.98cm
3m	44.15, 82.551x		344.38cm
4m	24.83, 46.321x		459.17cm
5m	15.89, 28.651x		573.96cm
6m	11.04, 20.591x		688.75cm
7m	8.109, 15.131x		803.54cm
8m	6.209, 11.581x		918.34cm
9m	4.906, 9.1251x		1033.13cm
10m	3.973, 7.4211x		1147.92cm

Note: The Curves indicate the illuminated area and the average illumination when the luminaire is at different distance.

4000K



Flux out: 289.7 lm

Height	Ray1,Beam	Angle: 59.36deg	Diameter
1m	381.7, 723.61x		113.98cm
2m	95.42, 189.93x		227.96cm
3m	42.41, 89.421x		341.94cm
4m	23.49, 49.231x		455.93cm
5m	15.27, 28.941x		569.91cm
6m	10.49, 20.101x		683.89cm
7m	7.789, 14.771x		797.87cm
8m	5.944, 11.311x		911.85cm
9m	4.712, 8.9311x		1025.83cm
10m	3.817, 7.2361x		1139.81cm

Note: The Curves indicate the illuminated area and the average illumination when the luminaire is at different distance.

5000K

