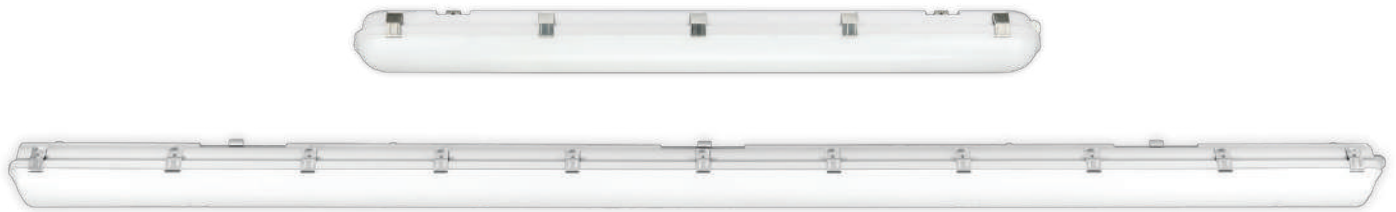


Project : _____
 Type : _____
 Drawn by : _____
 Catalogue No. : _____
 Date : _____



Specifications

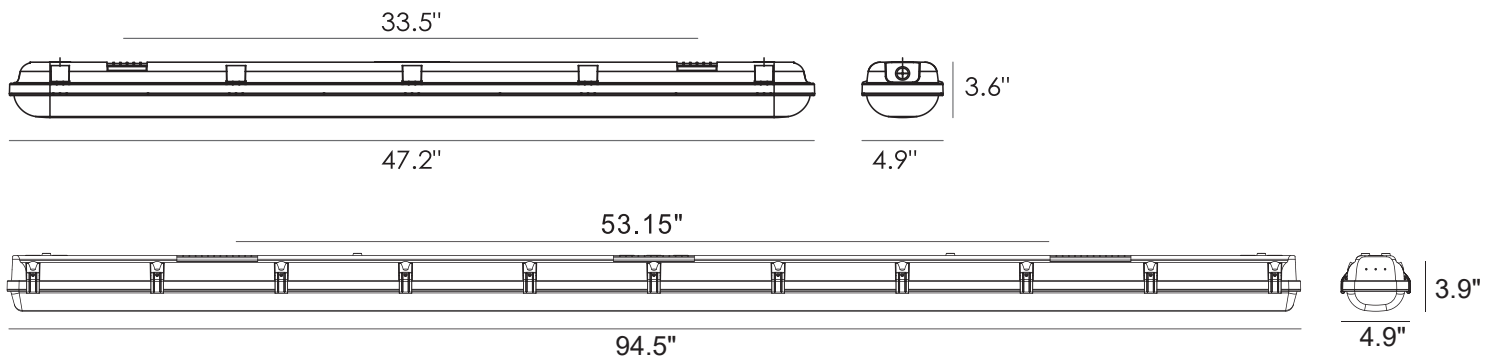
Model No.		J5236KLDA-DU48WM-347V-30/50	J5236KLDA-DU48W3P-3TS12-347V-30/50	J5250KLEA-UF90W3P-3T-347V-30/50
General	Watt	48W/42W/36W	48W/42W/36W	90W/72W/55W
	Sensor	Not Available	Built-in Sensor	Not Available
	Lumen	6200lm/5460lm/4680lm	6200lm/5460lm/4680lm	10800lm/8640lm/6600lm
	Base	PC	PC	PC
	CCT	3000K/4000K/5000K Adj	3000K/4000K/5000K Adj	3000K/4000K/5000K Adj
	Volts	120-347V	120-347V	120-347V
	CRI	>80	>80	>80
	Beam Angle	110°	110°	110°
	Hours Rated	≥50,000 hours	≥50,000 hours	≥50,000 hours
Electrical	Operating Frequency	50-60Hz	50-60Hz	50-60Hz
	Power Factor	>0.9	>0.9	>0.9
	IP Rating	IP66	IP66	IP66
	Operating	-25°C(-13F)~+45°C(+113F)	-25°C(-13F)~+45°C(+113F)	-25°C(-13F)~+45°C(+113F)
Temperature Relative Humidity	10%-90%RH	10%-90%RH	10%-90%RH	
Physical	Lens Material	PC	PC	PC
	Housing Color	Grey	Grey	Grey
	Weight (kg)	2.41	2.41	5.83
Additional Information	Additional Info	0-10V dimmable	0-10V dimmable	0-10V dimmable
	Rated For Enclosed Fixture	Yes	Yes	Yes
	Warranty	5 Years	5 Years	5 Years
Compliance	Certificates	UL,FCC,DLC	UL,FCC,DLC	UL,FCC,DLC
	Energy Star	No	No	No
	DLC Approved	Yes	Yes	Yes
	DLC ID	Under Application	Under Application	Under Application

Features & Specifications

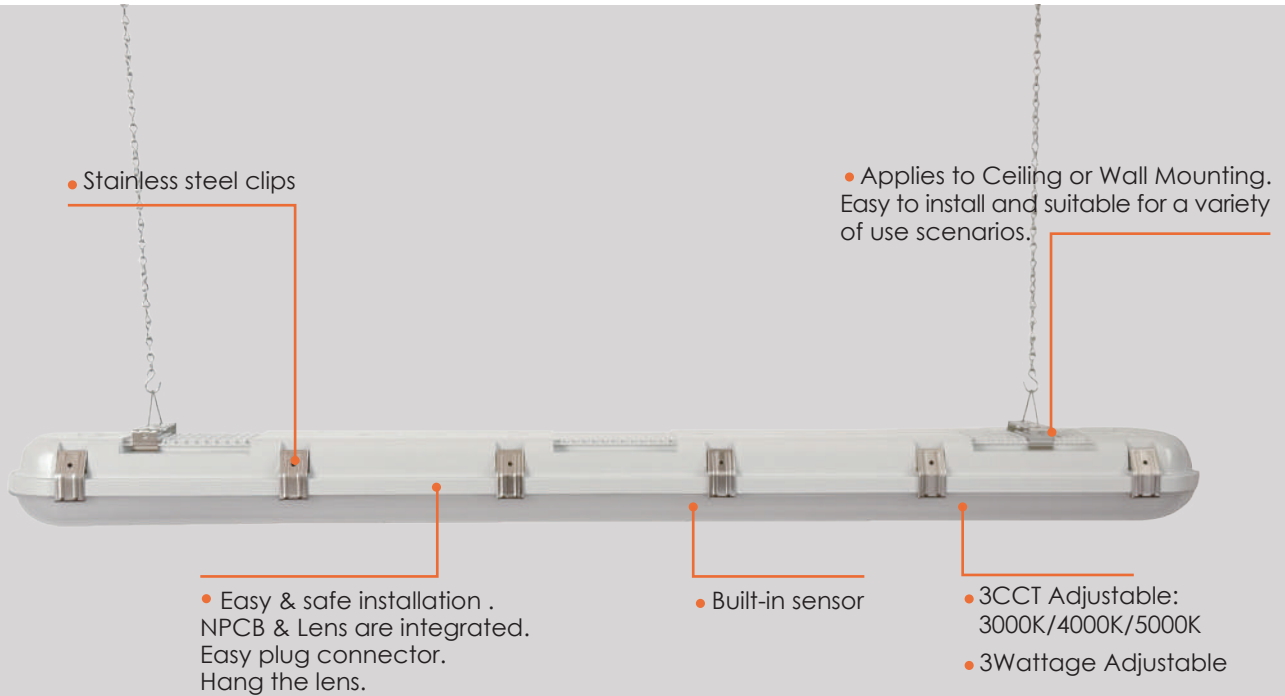
Construction	<ul style="list-style-type: none"> • 3 CCTs and 3 Powers can be adjusted by switching. • PC lens+ PC base for materials • 0-10V dimmable • IP66 LED Module waterproof luminaire • Save up to 60% in electricity consumption compared to fluorescent lighting fixture • Easy to install with expansion screws and screws • Built-in sensor with option
	<ul style="list-style-type: none"> • Ceiling mounted , wall mounted, surface mounted
Mounting	<ul style="list-style-type: none"> • Electrical ratings: 120-347 V • Operating temperature: -25°C to 45°C (-13°F to 113°F) • 0-10V dimming driver. • Available in 3000K/4000/5000K selectable color temperature • Estimated life over 50000 hours
	<ul style="list-style-type: none"> • DLC Standard • cULus certified for wet locations
Performance Data	
Compliances	

Dimensions & Weights

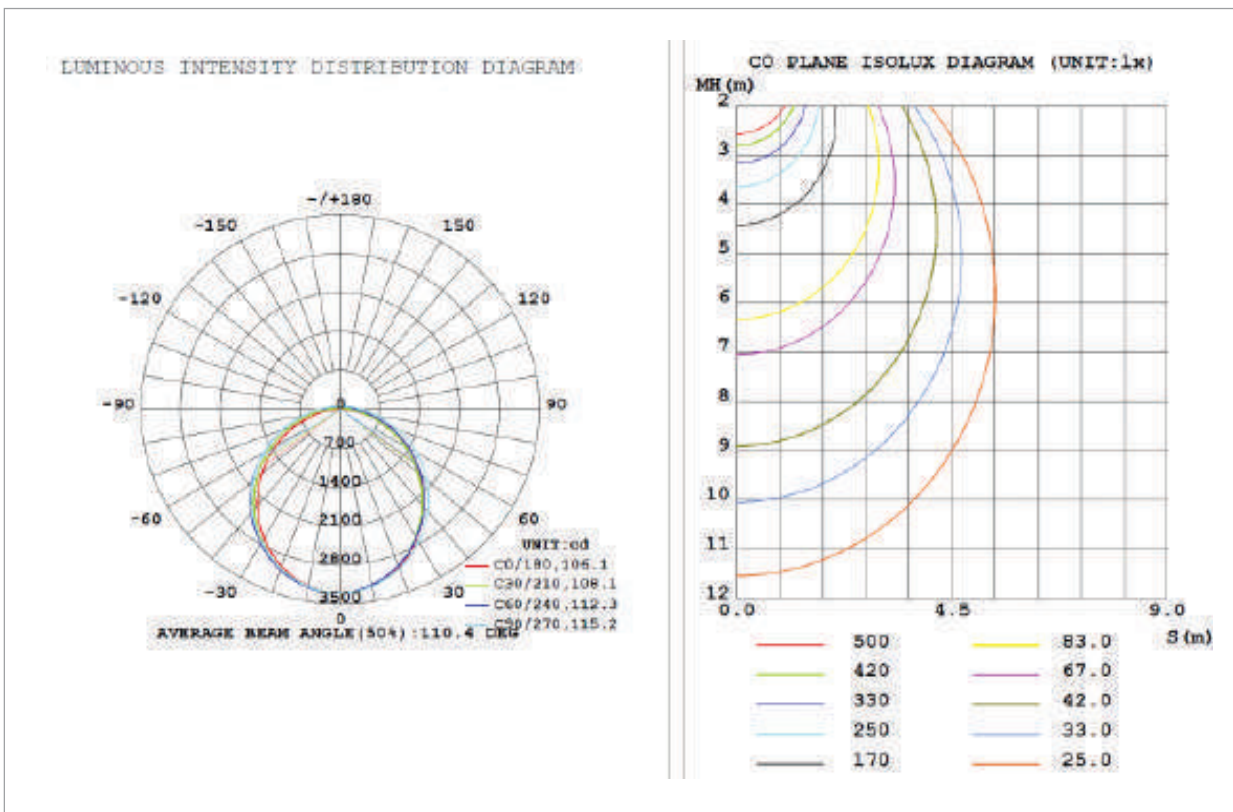
Model No.	4FT	8FT
L (inches/mm)	47.24"(120mm)	94.50"(240.0mm)
W (inches/mm)	4.96"(12.6mm)	4.92"(12.5mm)
H (inches/mm)	3.60"(9.1mm)	3.94"(10mm)
Weights (kg/lbs)	2.41kg/5.29lbs	5.83kg/12.78lbs



Product Details



Light Distribution Testing Parameters



Occupancy Sensor (Optional)

Part Number	Position	Volt (V)	Technology	Height (Ft)	Detection Area (%)	Time setting (Min)	Light control (Lux)	IP rating	Temperature (°C)
UC18DC/RC+URC06	built-in	12V DC	Microwave	6m Max	100%/50%	Test/30s/1min/5min/10min/20min/30min/1h	30lux / disable	IP66	-20°C~+60°C (-4°F~+140°F)

Note
The motion detector can turn on the light based on movement. With this detector built in, light is automatically on when needed and dimmed to preset level before it is totally off.

Detection range: 100%
Hold time: 5min
Stand-by period: 10min
Daylight sensor: Disable
Stand-by dimming: 10%



Built-in Sensor

Accessories

Order Code	Compatible with	Order Option
Remote Control	J5236KLDX-DU48W3P-3TS12	Order seperately
Stainless clips	J5236KLDX-DU48WM-347V J5236KLDX-DU48W3P-3TS12 J5250KLEX-UF90W3P-3T	Included
Accessory bag	J5236KLDX-DU48WM-347V J5236KLDX-DU48W3P-3TS12 J5250KLEX-UF90W3P-3T	Included



Remote Control



Accessory bag

Lumen Details

Model No.	Watts (w)	3000k		4000k		5000k	
		Lumen Output (LM)	Efficiency (LM/W)	Lumen Output (LM)	Efficiency (LM/W)	Lumen Output (LM)	Efficiency (LM/W)
J5236KLEDA-DU48WM-347V-30/50	36W	4680LM	130LM/W	4680LM	130LM/W	4680LM	130LM/W
	42W	5460LM	130LM/W	5460LM	130LM/W	5460LM	130LM/W
	48W	6200LM	130LM/W	6200LM	130LM/W	6200LM	130LM/W
J5236KLEDA-DU48W3P-3TS12-347V-30/50	36W	4680LM	130LM/W	4680LM	130LM/W	4680LM	130LM/W
	42W	5460LM	130LM/W	5460LM	130LM/W	5460LM	130LM/W
	48W	6200LM	130LM/W	6200LM	130LM/W	6200LM	130LM/W
J5250KLEA-UF90W3P-3T-347V-30/50	55W	6600LM	120LM/W	6600LM	120LM/W	6600LM	120LM/W
	72W	8640LM	120LM/W	8640LM	120LM/W	8640LM	120LM/W
	90W	10800LM	120LM/W	10800LM	120LM/W	10800LM	120LM/W



Data is based upon tests performed in a controlled environment. Actual performance can vary depending on operating conditions. All products are subject to change or may be discontinued any time without notice. Please contact your Votatec customer service representative to confirm inventory levels at time of order

