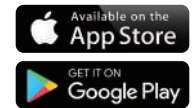
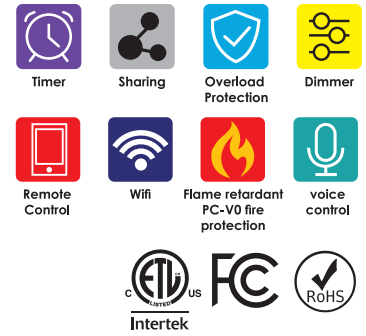


Project : _____
 Type : _____
 Drawn by : _____
 Catalogue No. : _____
 Date : _____



Specifications

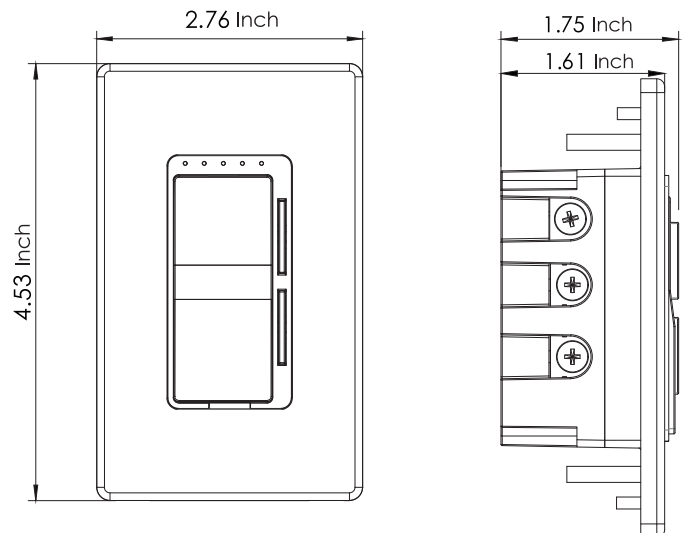
Model No.		VO-DMRW150-120-WIFI
General	Rated Voltage	120V,60Hz
	Rated Power	500 W
	Switch times	≥ 40000 times
	Power Supply	Neutral+Hive wire
	Installation Method	In-wall
	Application	Indoor
	Dimming Method	Stepless dimming
	WIFI	2.4GHz Wi-Fi networks
Load Range	Incandescent lamp	15-500W
	LED lamp	3-500W
	Low voltage halogen lamp with electronic transformer	3-500W
	CFL -- fewer than 5pcs	3-500W
	Electric resistive heat	15-500W
Physical	MOL	4.53in
	MOW	2.76in
	MOH	1.75in
	Material	Plastic+Aluminum
	Housing Color	White
	Weight (Kg)	0.1
Operating Environment	Operating Temperature	0C (32F) TO 40C(104F)
	Humidity	10% R.H.-90%R.H.
Additional Information	Stand	UL1472
	Warranty	5 years
Compliance	Safety Listing	ETL-Listed
	Location Rating	Damp
	Energy Star	No
	DLC Approved	No
	DLC ID	No

Features & Specifications

Construction	<ul style="list-style-type: none"> • Smooth dimming curve and good dimming characteristic • High adaptability and compatibility • Overload protection and over temperature protection • Single pole or 3-Way circuit • Use 2 dimmers on same circuit • Works as a standard dimmer • Use dimmer as a master switch, control lights with dimmer switch • LED indicator lights, the LEDs will light up to indicate the selected brightness level
Features	<ul style="list-style-type: none"> • Use as single pole or 3-way • Replaces standard single switch • Compatible with most switch panels • Connects directly to 2.4 GHz home Wi-Fi without the need for special hubs • Set up is simple: The smart switch connects directly to your home Wi-Fi and can be controlled from anywhere in minutes. • Set schedules and adjust the brightness of your home without touching a single switch - simply use the intuitive mobile app or give a command to your Amazon Alexa or Google Assistant device.
Compliances	<ul style="list-style-type: none"> • ETL certified

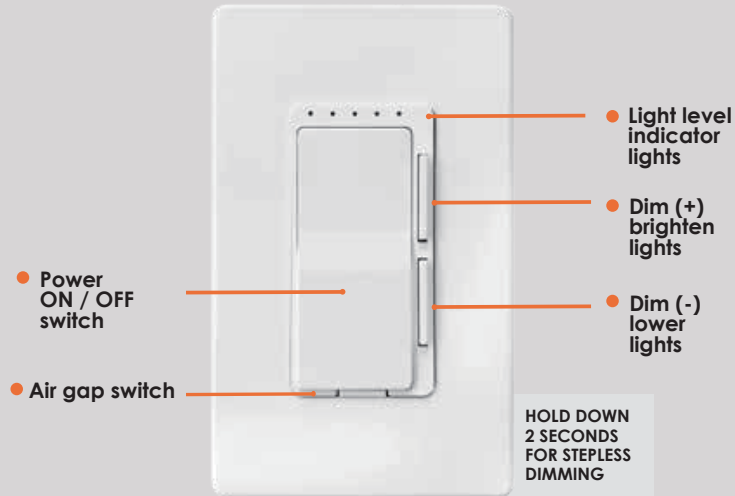
Dimensions & Weights

Model	VO-DMRW150-120-WIFI
Length in.(cm)	4.53 (115)
Width in. (cm)	2.76 (70)
Height in. (cm)	1.75 (44.5)
Net weight (lbs)	0.29



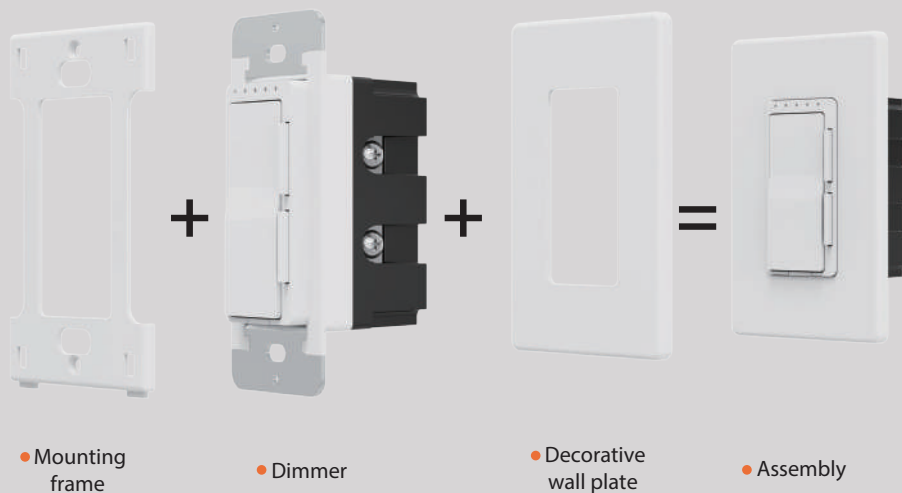
Product Details

Please Select The Correct bulb Type Before Pairing



120V - 60Hz
150W max - Dimmable LED
500W max - Incandescent and Halogen

Free combination, Easy to install



APP Remote Control

Turn on/off your light from anywhere&anytime



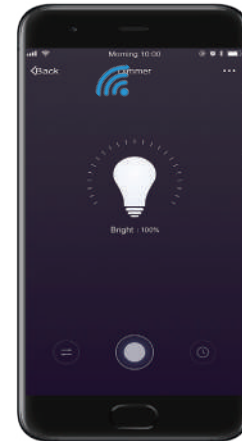
Voice Control

Use voice command to turn On/Off your lights and appliances



Dimmer Manual Operation

Free hands Provide more convenience

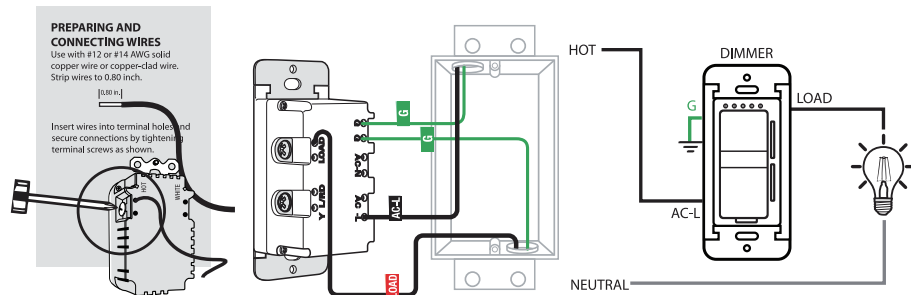


A. SINGLE POLE

One dimmer on a circuit

Make the wire connections

1. Insert the black wire labeled AC-L into the hole on the back of the dimmer marked AC-L and tighten the COPPER screw terminal until the wire is tightly held.
2. Insert the wire labeled LOAD into the hole on the back of the dimmer marked LOAD and tighten the BLACK screw terminal until the wire is tightly held.
3. Insert the GROUND wire labeled G into the hole on the back of the dimmer marked G and tighten the GREEN screw terminal until the wire is tightly held.



B. 3-WAY

One Smart Dimmer with a Switch on the Same Circuit

MAKE THE WIRE CONNECTIONS

☛ For the Switch in the location connected to the INCOMING 120V LINE: THE SWITCH MUST BE INSTALLED IN THIS LOCATION.

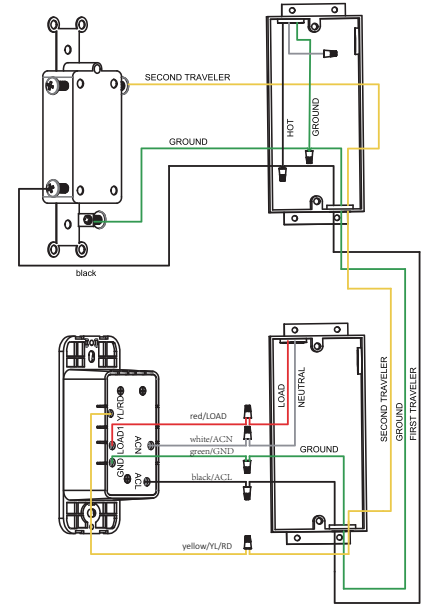
1. Connect the incoming HOT wire (black) to the 3-way switch and the FIRST TRAVELER wire as shown.
2. Connect the second TRAVELER wire to the 3-way switch as shown.
3. Connect the GROUND wires as shown. The ground wire may be bare copper or may be green color. Attach one GROUND wire to the switch and connect the other GROUND wires as shown.

☛ Attach one GROUND wire to the switch and connect the other GROUND wires as shown.

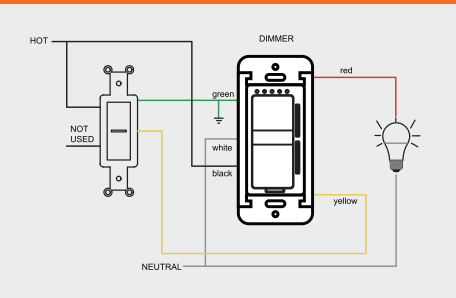
For Smart Dimmer in the location connected to the LOAD (FIXTURE):

THE DIMMER MUST BE INSTALLED IN THIS LOCATION.

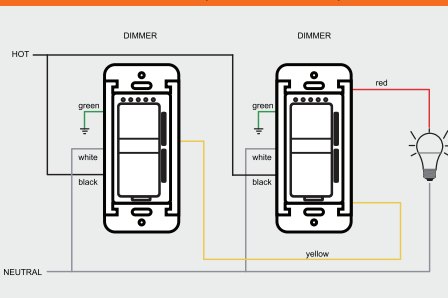
1. Connect the wire labeled LOAD to the dimmer's red wire using Twist Wire Connectors.
2. Connect the FIRST TRAVELER wire to the dimmer's black wire using Twist Wire Connectors.
3. Connect the SECOND TRAVELER wire to the dimmer's yellow wire using the Twist Wire Connectors.
4. Connect the incoming NEUTRAL wire (white) to the dimmer's white wire using Twist Wire Connectors.
5. Connect the GROUND wire to the dimmer's green wire using Twist Wire Connectors.



3 WAY-1: 1 DIMMER + 1 SWITCH (DEFAULT)



3 WAY-2: 1 DIMMER + 1 DIMMER (NOT RECOMMENDED)



Two modes of switching:

Turn on the dimmer, press and hold UP for 3 seconds.

- The indicator light flashes once. Switch to mode 3 Way-1
- The indicator light flashes twice, and switch to mode 3 Way-2

