

Pay attention to security. Please read those operating manual and keep them for future use before installation. The company will not take the responsibility if you are not operate according to the instructions.

Important safety operating instructions:

1. Please read all warnings and instructions labels which is included in the box and fixture to avoid personal injury, property damage caused by fire, electric shock, components falling, cuts, bruises ,death and other dangerous.
2. Please follow these general precautions before installing, maintaining, or fixing.
3. Commercial installation, service and maintenance of luminaires should be performed by a qualified licensed electrician.
4. For residential installation: if you are unsure about the installation or maintenance of the luminaires, please consult a qualified licensed electrician and check your local electrical code.
5. Don't let the luminaires contact with the surface of combustible materials.
6. These operating instructions do not declare that they contain all the details and changes in the equipment, or provide every possible emergency measure to achieve correct installation, application and maintenance.

Warning: Risk of electrical shock

1. Turn off electrical power at fuse or circuit breaker box before wiring fixture to the power supply
2. Make sure the fixture connect in right voltage. Connect the fixture with AC120V 50/60Hz power supply.
3. Make sure all electrical and grounded connections in accordance with the National Electrical Code and applicable local code requirements.
4. All wiring connections should be compliance with UL standard.

Caution: Risk of product damage

1. Never connect components under load
2. Do not hang or support these fixtures that will cut the outer jacket or damage wire insulation.
3. To avoid LED fixtures covered by insulation stuff, foam, or other material.
4. Unless individual product specifications deem, otherwise: Do not exceed fixtures maximum ambient temperature
5. Electrostatic Discharge can damage LED fixtures. Personal grounding equipment must be worn during installing or maintaining.
6. Do not touch individual electrical components as this can cause electrostatic discharge, shorten lamp life, or alter performance.

Caution: Risk of injury

1. Wear gloves and safety glasses at all times when moving luminaire from carton, installing, servicing or performing maintenance.
2. Avoid direct eye exposure to the light source while it is on. Or this may cause irreparable damage to the eyes.
3. Account for small parts and destroy packing material, as these may be hazardous to children.

Warning: Beware of burns

1. Allow fixture to cool before touch. Do not touch the lamp housing or light source.
2. Do not exceed maximum wattage marked on luminaire label.

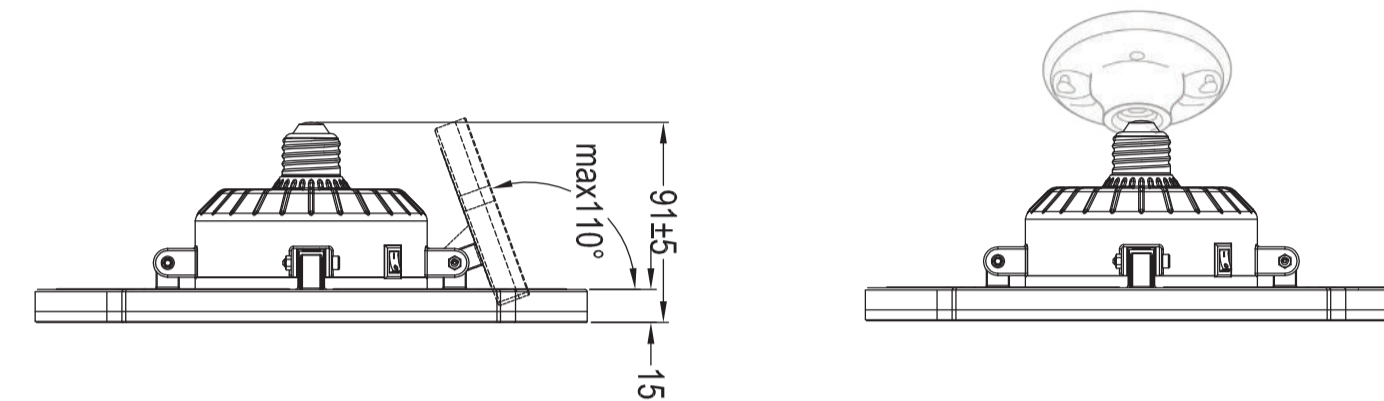
Installation location:

1. Choose the installation location
2. Keep flammables and other flammables away from light sources and lamps / lenses.

Product Parameter:

Model No.	Power	Voltage	CCT	CRI	LED	IP Rate	Efficiency	Lumen
HLG-6W	20W 30W 40W	AC120V 50/60Hz	5CCT (2700K/3000K/3500K/ 4000K/5000K)	>80	SMD 2835	Dry Location	100lm/w	2000lm 3000lm 4000lm

Base Installation:



1. Installs into any pre-existing E26 light fixture withbulb socket.
2. Turn off the power to the light fixture you areplanning to use.
3. Using a pre-existing E26 light fixture with bulb socket. Unscrew the current bulb from the socket.
4. Screw in the base of the Multi-Directional LED Light. Then turn the light fixture back on for the MultiDirectional LED Light to illuminate.
5. Multi-Directional design allows the adjustable arms to be positioned in different angles up to 110°for wider lighting angle.

