

Project : _____
 Type : _____
 Drawn by : _____
 Catalogue No. : _____
 Date : _____



Specifications

Model No.		<input type="checkbox"/> VO-FN4W18-AC-50	<input type="checkbox"/> VO-FN4W25-AC-80	<input type="checkbox"/> VO-FN4W26-AC-100
General	Volts	AC 120V/60Hz	AC 120V/60Hz	AC 120V/60Hz
	Watts	18W	25W	26W
	Amps(Current)	0.15A	0.20A	0.21A
	Life Span	5000 hours	5000 hours	5000 hours
	Static Pressure in inches w.g.	0.1	0.1	0.1
	Air Volume	50 CFM	80 CFM	100 CFM
	Speed	570 r/min	760 r/min	860 r/min
	Noise	0.3 Sones	0.5 Sones	0.9 Sones
	Continuously Run	Yes	Yes	Yes
Electrical	Motor Type	AC Motor	AC Motor	AC Motor
	Type of Motor Bearing	Dual Ball Bearing	Dual Ball Bearing	Dual Ball Bearing
	Power Factor	<1	<1	<1
	Operation Position	Horizontal	Horizontal	Horizontal
	Thermal Fuse Protection	Yes	Yes	Yes
	Temperature Rise	<70K	<70K	<70K
	Capacity	1.0vF	1.5vF	2.0vF
	Power Cord	cUL Listed 18AWG Power Cord	cUL Listed 18AWG Power Cord	cUL Listed 18AWG Power Cord
Physical	Housing Dimension	9 x 9 x 5-7/8 inch	9 x 9 x 5-7/8 inch	9 x 9 x 5-7/8 inch
	Grille Dimension	13 x 13 inch	13 x 13 inch	13 x 13 inch
	Duct Dimension	4 inch	4 inch	4 inch
	Housing Material	0.6mm Galvanized Steel Original / Silver Finish	0.6mm Galvanized Steel Original / Silver Finish	0.6mm Galvanized Steel Original / Silver Finish
	Grille Material	ABS Plastic	ABS Plastic	ABS Plastic
	Wheel Impeller Material	PP+10%GF	PP+10%GF	PP+10%GF
Compliance	Safety Listing	cETL-Listed	cETL-Listed	cETL-Listed
	Energy Star	Yes	Yes	Yes
	HVI	Yes	Yes	Yes

Features & Specifications

Construction

- Continuously Running Fan
- Galvanized-steel housing protects from moisture erosion for long term.
- The wheel impeller made of flame retardant polypropylene reduce damage and risk of fire accident.
- Elegant grille design compliments any décor; built-in damper reduces back drafting
- Thermal Fuse effectively protects from risking electric leaking.
- Dual ball bearing motor made of high-quality stainless steel ensure smooth rotation and reduce friction.

Mounting

- Ceiling mount. Mounting foldable ears and hanger bars assist for new construction and retrofit.

Performance Data

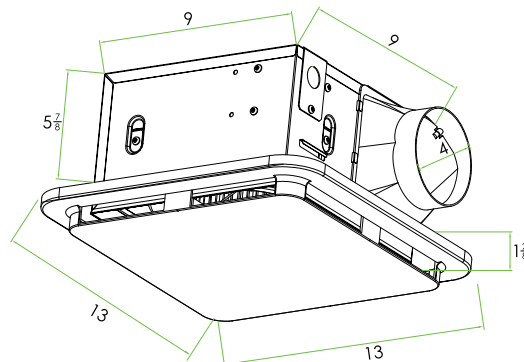
- 50/80/100 CFM, Powerful ventilation to remove moisture and reduce the risk of mold or mildew in most full baths
- 0.3/0.5/0.9 Sones for whisper quiet operation
- 18/25/26 watt for energy saving.

Compliances

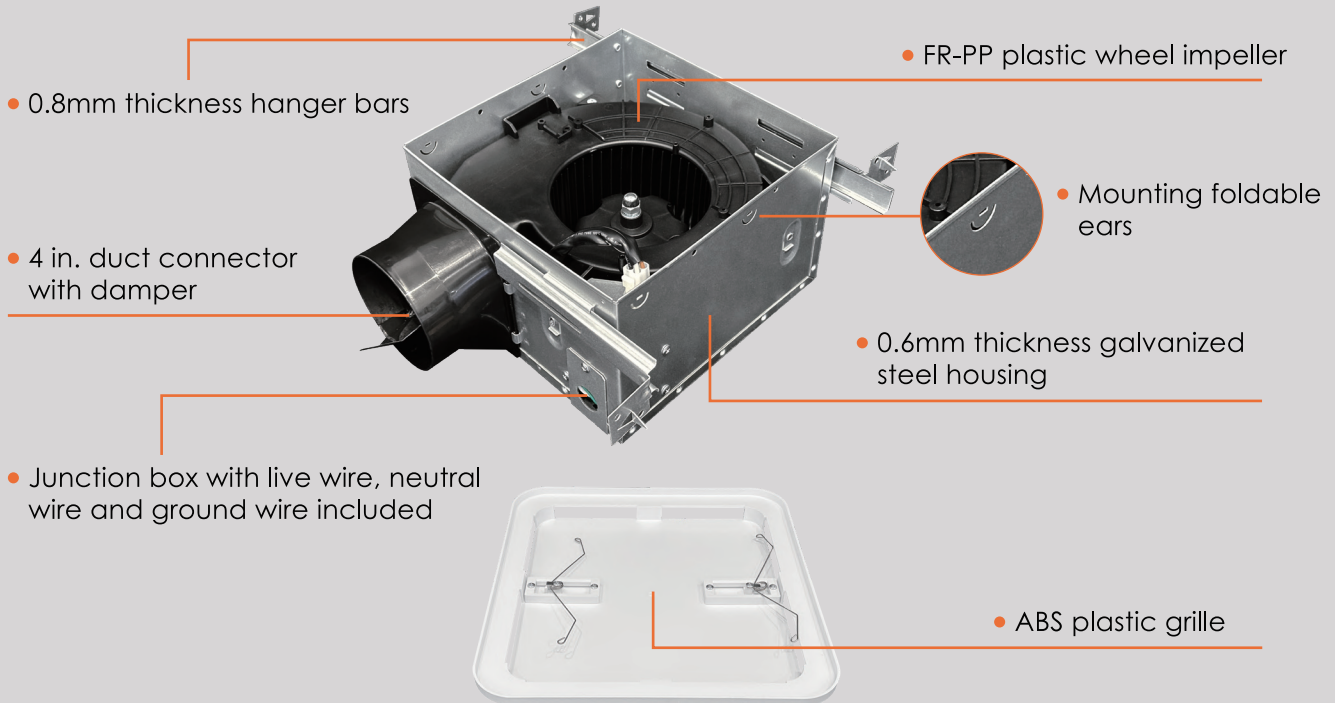
- cETL listed for use in insulated ceilings (type I.C.) and HVI-2100 certified for safety
- cETL listed for use over bathtubs or showers when connected to GFCI-protected branch
- ENERGY STAR® certified for energy efficiency & savings

Dimensions & Weights

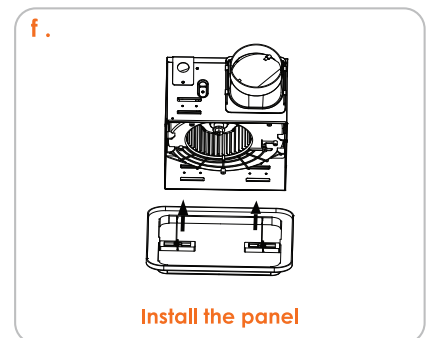
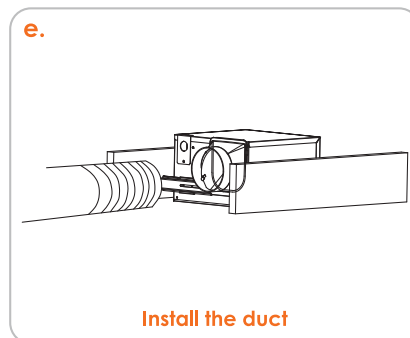
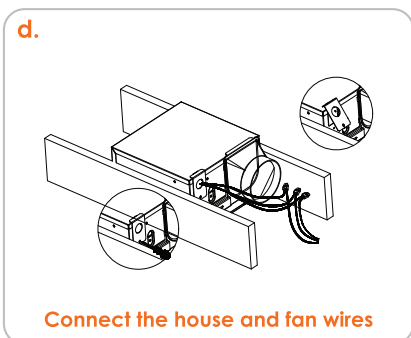
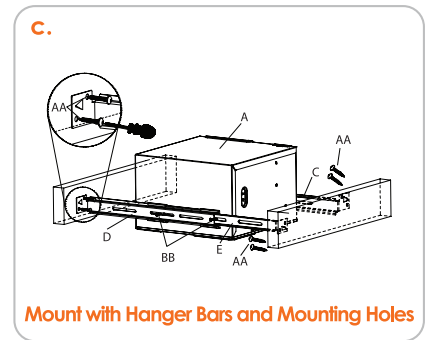
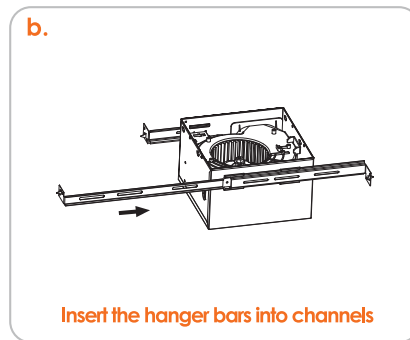
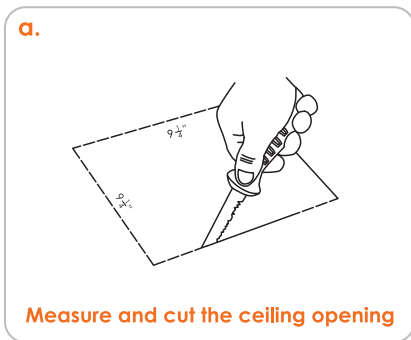
Model	VO-FN4W18-AC-50	VO-FN4W25-AC-80	VO-FN4W26-AC-100
Housing Diameter in.(cm)	9" x 9" x 5 7/8" (23 x 23 x 14.8 cm)	9" x 9" x 5 7/8" (23 x 23 x 14.8 cm)	9" x 9" x 5 7/8" (23 x 23 x 14.8 cm)
Grille Diameter in.(cm)	13" x 13" (33 x 33 cm)	13" x 13" (33 x 33 cm)	13" x 13" (33 x 33 cm)
Net weight kgs(lbs)	3.81 kgs(8.4 lbs)	3.81 kgs(8.4 lbs)	3.81 kgs(8.4 lbs)



Product Details

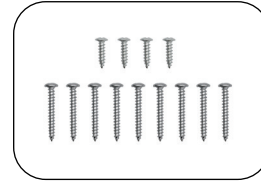


Simple installation manual drawing

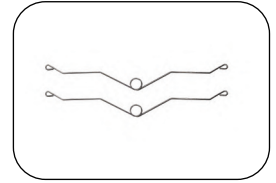


Accessories (packed within box)

Order Code	Compatible with	Order Option
Hanger Bar	VO-FN4W18-AC-50 VO-FN4W25-AC-80 VO-FN4W26-AC-100	Included
Screw ST4X16		Included
Screw ST4X30		Included
Mounting Spring		Included
4 inch Connector		Included
Damper		Included



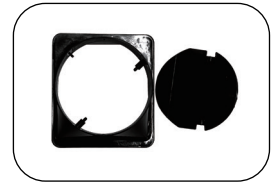
Screw ST4X16
Screw ST4X30



Mounting Spring



Hanger Bar



4 inch Connector
Damper



Data is based upon tests performed in a controlled environment. Actual performance can vary depending on operating conditions. All products are subject to change or may be discontinued any time without notice. Please contact your Votatec customer service representative to confirm inventory levels at time of order

