

Project : _____
 Type : _____
 Drawn by : _____
 Catalogue No. : _____
 Date : _____

15 AMP **20 AMP**

x2 **TR TAMPER RESISTANT** **4.8A USB**

ETL **LED Guide Light** **Self Tests for Safety**
 Intertek



15A
BCG003-U

20A
BCG004-U

Specifications

Model No.		□ BCG003-U	□ BCG004-U
General	Rated Voltage	125V,60Hz	125V,60Hz
	Rated Power	1800W~2400W	1800W~2400W
	Button times	>3000 times	>3000 times
	Mechanical life	6000 times	6000 times
	Dielectric voltage withstand	1500V(AC)	1500V(AC)
	Trip threshold	5mA	5mA
	Trip time	<25ms	<25ms
	Short-circuit current	10KA	10KA
	Wires	14-12AWG	14-12AWG
	Power Supply	Neutral & Live Wire & Grounding	Neutral & Live Wire & Grounding
	Installation Method	In-wall	In-wall
	Application	Indoor	Indoor
Physical	MOL	4.13in	4.13in
	MOW	1.61in	1.61in
	MOH	1.87in	1.87in
	Material	Plastic+Metal	Plastic+Metal
	Housing Color	White	White
	Weight (Kg)	0.15	0.15
Operating Environment	Operating Temperature	20- C (4-F) TO 45 C (113F)	20- C (4-F) TO 45 C (113F)
Additional Information	Stand	UL943 / UL948 / UL1310	UL943 / UL948 / UL1310
	Warranty	2 years	2 years
Compliance	Safety Listing	ETL-Listed	ETL-Listed
	Location Rating	Damp	Damp
	Energy Star	No	No
	DLC Approved	No	No
	DLC ID	No	No

Features & Specifications

Construction

- Adopting high-quality thermoplastic materials with reasonable structural design, ensuring excellent strength and durability.
- The indicator light provides simple and intuitive feedback on power and protection status. If the indicator light (LED) shows a red light, it indicates that the GFCI socket has been installed correctly. After resetting, the indicator light (LED) shows green, indicating that the socket is working properly. When the service life of the GFCI socket ends, the red indicator light flashes to remind you to replace the socket in a timely manner.
- This GFCI comes with a USB interface, providing a 5V/4.8A power supply. When the GFCI trips, the USB power is turned off, and the USB interface has a ground fault current trip protection function, which prevents the 5V device from being electrocuted.
- Protective door (TR): It can prevent children from using foreign objects to come into contact with the live parts of the socket, and keep children away from the risk of electric shock.
- Provide continuous ground fault protection, which can detect actual ground faults and trip even during self check.

Features

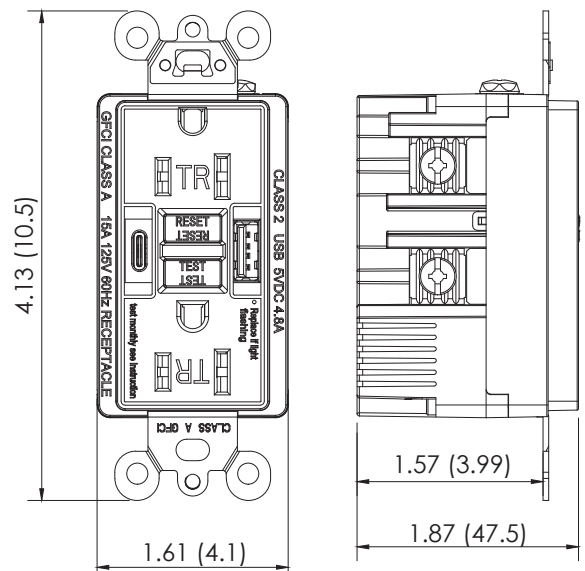
- Ground Fault Circuit Interrupter
- Safe-Test
- USB Chargers
- Compatible with most switch panels

Compliances

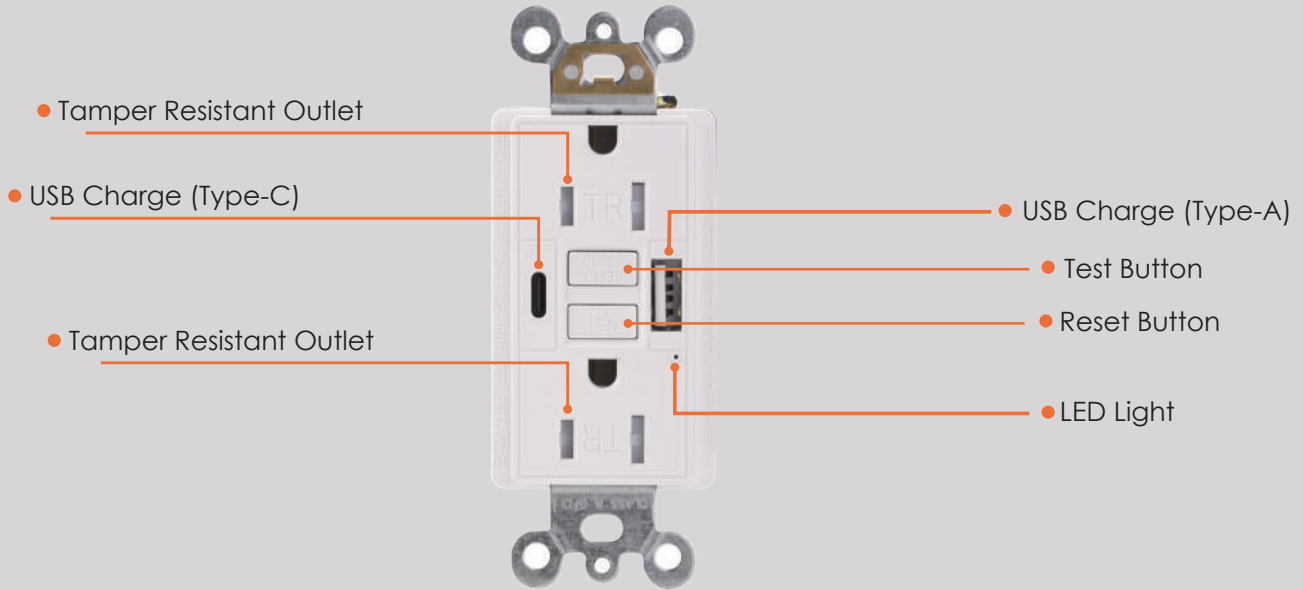
- ETL certified

Dimensions & Weights

Model	BCG-003U/BCG-004U
Length in.(cm)	4.13 (10.5)
Width in. (cm)	1.61 (4.1)
Height in. (cm)	1.87 (3.4)
Net weight (lbs)	0.15

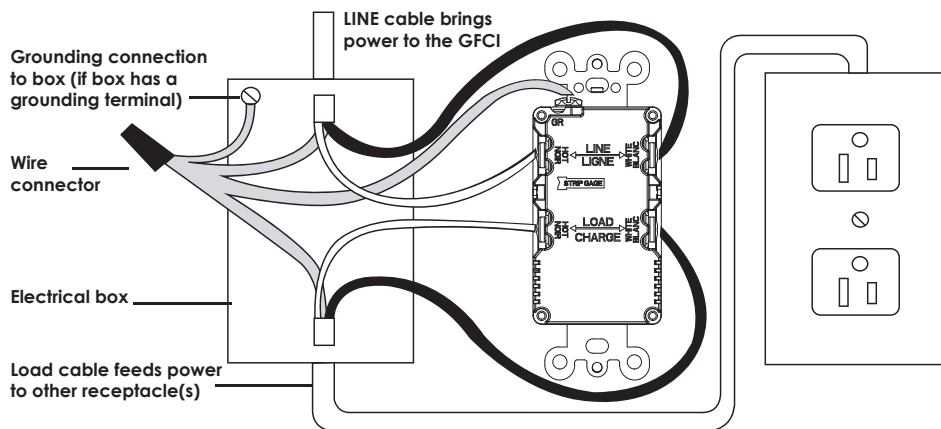
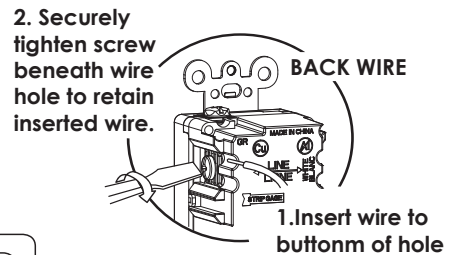


Product Details



Typical Wiring Application

- Turn off power at circuit breaker or fuse and test that power is off before wiring.
- Install according to the wiring diagram above.
- Carefully position all wires inside the wall-box, leaving enough space to insert the receptacle. Secure the receptacle with the provided mounting screws.



ABOUT WIRE CONNECTIONS:
Screw terminal Wire | ← 1 inch → |
Back wire holes Wire | ← .6 inches → |

