

Project : _____
 Type : _____
 Drawn by : _____
 Catalogue No. : _____
 Date : _____



Specifications

Model No.		VO-RCPW80-347-3WAY-S
General	Watts	80W/70W/60W Adjustable
	Lumen	9600lm/8400lm/7200lm
	CCT	3000K/4000K/5000K ADJ
	Volts	AC 120-347V
	CRI	>80
	Optics	5
	Hours Rated	50000 hrs
	Dimension	φ 285x86mm / φ 11.2x3.38"
Electrical	Operating Frequency	50-60 Hz
	Power Factor	>0.9
	Surge Protection (Built-in)	L-N/L&N-PE:6+6KV
	Operating Temperature	-40°F - 113°F (-40°C - 45°C)
Physical	Lens Material	PC
	Housing Color	Bronze
	Weight (Kg)	1.9
Additional Information	Additional Info	CCT + Power Adjustable
	Rated For Enclosed Fixture	Yes
	Warranty	5 years
Compliance	Safety Listing	UL
	Location Rating	Wet (IP65)
	Energy Star	No
	DLC Approved	DLC 5.1 Premium
	DLC ID	S-VYKV15

Features & Specifications

Construction

- Fins design, advective grooves between fins are good for heat dissipation
- High output efficiency up to 120lm/W
- CCT & Power adjustable switches reduce SKU
- PIR Sensor is optional to save energy cost
- Professional light distribution technique ,high light reflectivity reflectors,150° beam angle available; Light transmission rate of lens is over 90%

Mounting

- Ceiling Mounting

Performance Data

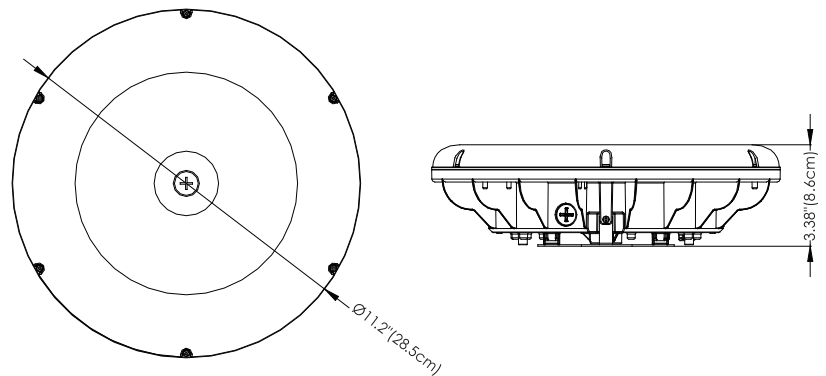
- Available in 3000K/4000K/5000K adjustable color temperature
- 80+CRI
- Electrical ratings: 120-347 VAC
- Estimated LED lifespan of over 50000 hours @ L70
- 0-10V dimming driver. Dimming cables included with this luminaire
- 6kV(L-N), 6kV(L&N-PE) surge protection(standard)
- Operating temperature: -40°F to 113°F(-40°C to 45°C)

Compliances

- UL certified for wet locations
- IP65
- DLC 5.1 Premium

Dimensions & Weights

Model	VO-RCPW80-347
Diameter in.(cm)	11.2(28.5)
Height in. (cm)	3.38(8.6)
Net weight (lbs)	1.9



Product Details



Occupancy Sensors

Part Number	Position	Volt (V)	Technology	Height (ft)	Sensitivity Setting (%)	Hold Time	Stand-by Period	IP rating	Temperature (°C)
ANT-6-4T (PIR Sensor)	External	12V-24V DC	PIR	40 (max)	0/25%/50%/75%	3min/5min/10min/15min	1min/30min/60min /infinite	IP65	-20°C~+60°C (-4°F~+140°F)

NOTE : Warm up time is 40 seconds. After that fixture would be flickering, and remote control could be configured.

DEFAULT SETTING :

Brightness : 100%

Hold Time : 3 Mins

Stand-by Dim Level :25%

Stand-by Time: 30min

Sensitivity :100%

Daylight Threshold : disable



Accessories (Order Separately)

Order Code	Compatible With
ANT-6-4T(PIR Sensor)	VO-RCPW80-347-3WAY-S
RC-100 (Remote Control)	



Lumen Details

Model No.:	Watts (W)	3000K		4000K		5000K	
		Lumen Output (LM)	Efficiency (LM/W)	Lumen Output (LM)	Efficiency (LM/W)	Lumen Output (LM)	Efficiency (LM/W)
VO-RCPW80-347 -3WAY-S	60W	7200LM	120	7200LM	120	7200LM	120
	70W	8400LM	120	8400LM	120	8400LM	120
	80W	9600LM	120	9600LM	120	9600LM	120



Data is based upon tests performed in a controlled environment. Actual performance can vary depending on operating conditions. All products are subject to change or may be discontinued any time without notice. Please contact your Votatec customer service representative to confirm inventory levels at time of order

