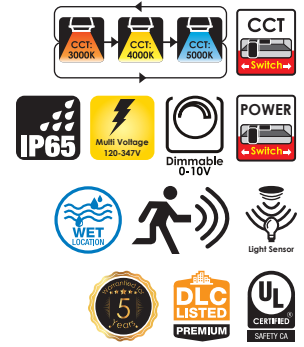


Project : _____
Type : _____
Drawn by: _____
Catalogue No. : _____
Date : _____



Specifications

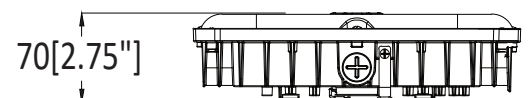
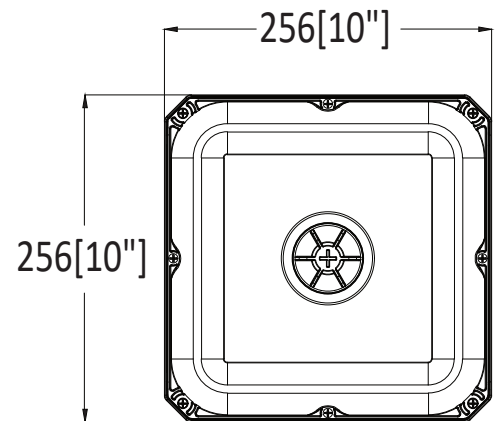
Model No.		<input type="checkbox"/> VO-SCPW75-347-3WAY/BZ	<input type="checkbox"/> VO-SCPW75-347-3WAY/WH
General	Watts	75W/60W/40W Adjustable	75W/60W/40W Adjustable
	Lumen	5400-10125LM	5400-10125LM
	CCT	3000K/4000K/5000K ADJ	3000K/4000K/5000K ADJ
	Volts	120-347V	120-347V
	CRI	>80	>80
	Beam Angel	145°	145°
	Hours Rated	50,000 hours	50,000 hours
Electrical	Operating Frequency	50-60Hz	50-60Hz
	Power Factor	≥0.9	≥0.9
	Surge Protection	Built-in surge protection-4KV/5KV	Built-in surge protection-4KV/5KV
	Operating Temperature	-30°C t(-22°F) TO 50°C(122°F)	-30°C t(-22°F) TO 50°C(122°F)
Physical	LED Type	2835	2835
	LED QTY	70PCS	70PCS
	Housing	Die Casting Aluminum	Die Casting Aluminum
	Lens Material	Plastic	Plastic
	Housing Color	Bronze	White
	Weight (Kg)	2.3	2.3
	Ik rating	IK08	IK08
Additional Information	Function	PIR Sensor	PIR Sensor
	Additional Info	CCT+Power adjustable	CCT+Power adjustable
	Rated For Enclosed Fixture	Yes	Yes
	Warranty	5 years	5 years
Compliance	Safety Listing	cUL	cUL
	Location Rating	Wet	Wet
	DLC Approved	Yes, Premium 6.0	Yes, Premium 6.0
	DLC ID	S-GXB9KL	S-GXB9KL

Features & Specifications

Construction	<ul style="list-style-type: none"> • Die-casting aluminum material provides optimal heat dissipation . • Standard 145° wide beam angle • CCT and Power adjustable
Mounting	<ul style="list-style-type: none"> • Default surface mount
Performance Data	<ul style="list-style-type: none"> • Available in 3000K/4000K/5000K selectable 80+ CRI • Electrical ratings: 120-347 VAC • Estimated life of over 500 000 hours to L70 • 0-10 V dimming driver.
Compliances	<ul style="list-style-type: none"> • cULus certified for wet locations • IP65 • DLC Premium 6.0

Dimensions & Weights

Model No.	VO-SCPW75-347-3WAY
Length in.(cm)	10 inch (25.6)
Width in.(cm)	10 inch (25.6)
Height in.(cm)	2.75 inch (7)
Net weight Kgs.(lbs)	2.3 kgs (5.07)



Product Details



Occupancy Sensors

Part Number	Position	Volt(V)	Technology	Height (Ft)	Sensitivity Setting (%)	Hold Time	Stand-by period	IP rating	Temperature (°C)
HD07VR-PH (PIR Sensor)	External	12V-24V DC	PIR	39 (max)	100%/75%/50%/25%	5s/30s/1 min/3min/5min/10min/20min/30min	0s/10s/30s/1 min/5min/10min/30min/60min infinite	IP65	-20°C~+60°C (-4°F~+140°F)

NOTE: Warm up time is 45 seconds. After that fixture would be flickering, and remote control could be configured.

DEFAULT SETTING:

- Detection Area - 100%
- Holdtime - 5S
- Daylight Threshold - disable
- Standby Period - 0S
- Standby Dimming Level - 10%



Accessories (Order Separately)

Order Code	Compatible With
HD07VR-PH 12VDC PIR	VO-SCPW75-347-3WAY
HD06R (Remote Control)	VO-SCPW75-347-3WAY

Lumen Details

Model No.	Watt	3000K	4000K	5000K
VO-SCPW75-347-3WAY	75W	9900LM	10746LM	10768LM
	60W	8157LM	9230LM	9240LM
	40W	4980LM	5464LM	5422LM



Data is based upon tests performed in a controlled environment. Actual performance can vary depending on operating conditions. All products are subject to change or may be discontinued any time without notice. Please contact your Votatec customer service representative to confirm inventory levels at time of order

