

Project : _____
 Type : _____
 Drawn by : _____
 Catalogue No. : _____
 Date : _____



Specifications

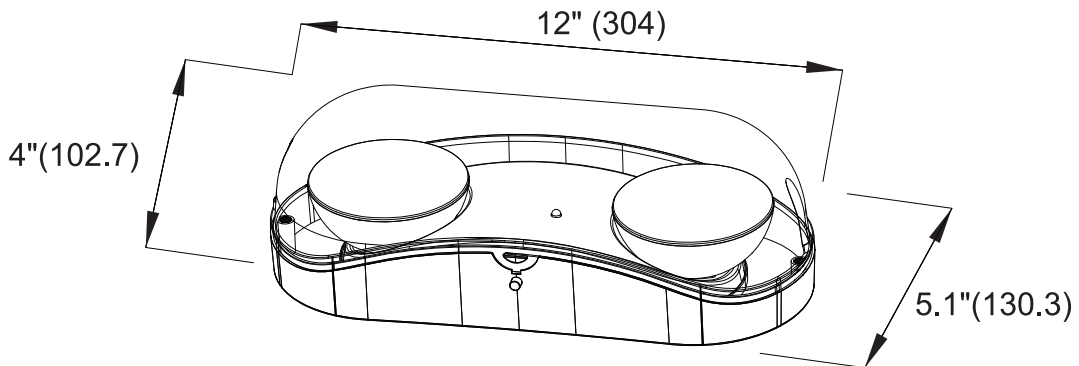
Model No.		<input type="checkbox"/> CR-7112
General	Input Power	2W
	Output Power	2.4W
	Lumen	175LM
	CCT	6500K
	Volts	AC120-347V
	CRI	>80
	Beam Angle	103.9 degree
	Hours Rated	50000 hours
Dimension		12"X5.1"X4"
Electrical	Operating Frequency	50/60Hz
	Power Factor	>0.9
	Operating Temperature	-20°C / -4°F To 40°C/104°F
Physical	Material	Thermoplastic ABS housing
	Weight (Kg)	0.6
Additional Information	Backup Time	120 minutes
	MAX. remote LOAD	No
	Warranty	5 years
Compliance	Safety Listing	CUL - Listed
	Location Rating	WET
	Energy Star	No
	DLC Approved	No
DLC ID		No

Features & Specifications

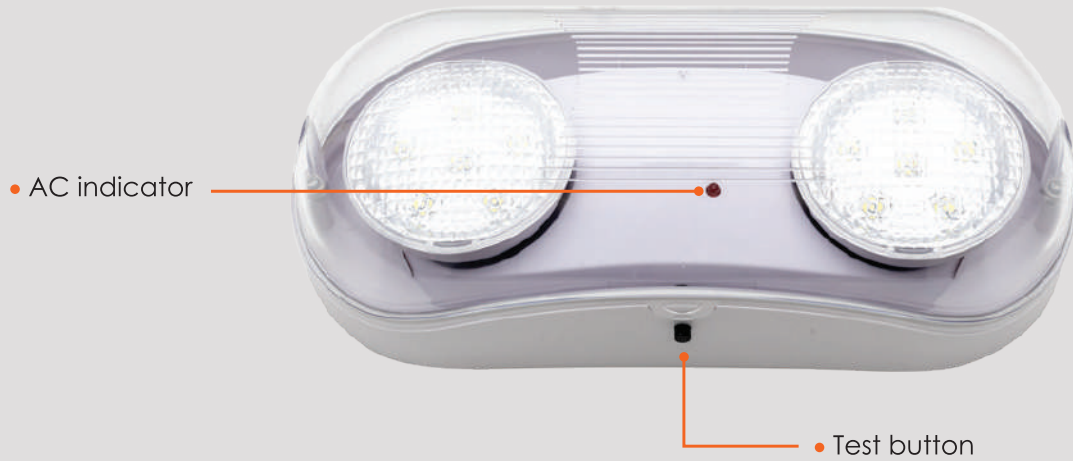
Construction	<ul style="list-style-type: none">• Thermoplastic ABS housing• High efficiency LED
Mounting	<ul style="list-style-type: none">• Wall or ceiling mounting
Performance Data	<ul style="list-style-type: none">• 120-347VAC Input• 3.6V 1Ah Ni-cd Battery• Diagnostic/pilot LED for AC ON and Charge• Push button test switch• Charging time: 24 hours
Compliances	<ul style="list-style-type: none">• CUL certified for wet locations

Dimensions & Weights

Model	CR-7112
Length in.(mm)	12 (304)
Width in.(mm)	5.1 (130.3)
Height in.(mm)	4 (102.7)
Weight(kg)	0.6

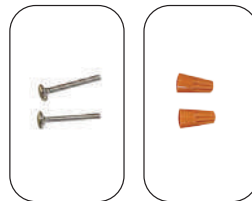


Product Details



Accessories (Included)

Screw	2
Wiring Cap	2



Battery Back Up Details

Wattage	Battery Backup Time
2.4W	120 min

Rating Table

Model No.	Input Ratings				Emergency Output Ratings		Emergency Run Time	Recharge Time
	Vac	Hz	Amps (mA)	Watts	Integral	Remote	Minutes	Hours
CR-7112	120-347V	50/60	25	2	2.4W	NA	120	24



Data is based upon tests performed in a controlled environment. Actual performance can vary depending on operating conditions. All products are subject to change or may be discontinued any time without notice. Please contact your Votatec customer service representative to confirm inventory levels at time of order

