

Project : _____
 Type : _____
 Drawn by : _____
 Catalogue No. : _____
 Date : _____



Specifications

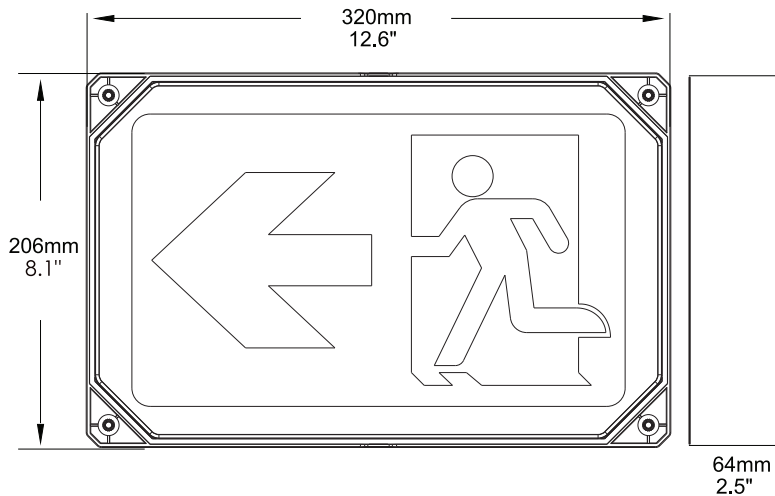
Model No.		<input type="checkbox"/> CR-7124
General	Input Power	4.5
	Output Power	1W
	Lumen	20LM
	CCT	6500K
	Volts	AC120-347V
	CRI	>80
	Beam Angle	33 degree
	Hours Rated	50000 hours
	Dimension	12.6"X8.1"X2.5"
Electrical	Operating Frequency	50/60Hz
	Power Factor	>0.9
	Operating Temperature	-20°C / -4°F To 40°C/104°F
Physical	Material	Thermoplastic and PC diffuser
	Weight (Kg)	1.8
Additional Information	Backup Time	120 minutes
	MAX. remote LOAD	No
	Warranty	5 years
Compliance	Safety Listing	CUL - Listed
	Location Rating	WET
	Energy Star	No
	DLC Approved	No
	DLC ID	No

Features & Specifications

Construction	<ul style="list-style-type: none"> • Thermoplastic Housing and PC Diffuser • High efficiency LED
Mounting	<ul style="list-style-type: none"> • Universal wall mount
Performance Data	<ul style="list-style-type: none"> • 120-347VAC Input • 3.6V 1Ah Ni-cd Battery • Diagnostic/pilot LED for AC ON and Charge • Push button test switch • Charging time: 24 hours
Compliances	<ul style="list-style-type: none"> • CUL certified for wet locations

Dimensions & Weights

Model	CR-7124
Length in.(mm)	12 .6(320)
Width in.(mm)	2.5 (64)
Height in.(mm)	8.1 (206)
Weight(kg)	1.8



Product Details



• Three pictograms



• AC indicator and Test button

Accessories (Included)

Accessories	Quantity
Hardware Kit	1 Pack



Battery Back Up Details

Wattage	Battery Backup Time
1W	120 min

Rating Table

Model No.	Input Ratings				Emergency Output Ratings		Emergency Run Time	Recharge Time
	Vac	Hz	Amps (mA)	Watts	Integral	Remote	Minutes	Hours
CR-7124	120-347V	50/60	55	4.5	1W	NA	120	24



Data is based upon tests performed in a controlled environment. Actual performance can vary depending on operating conditions. All products are subject to change or may be discontinued any time without notice. Please contact your Votatec customer service representative to confirm inventory levels at time of order

