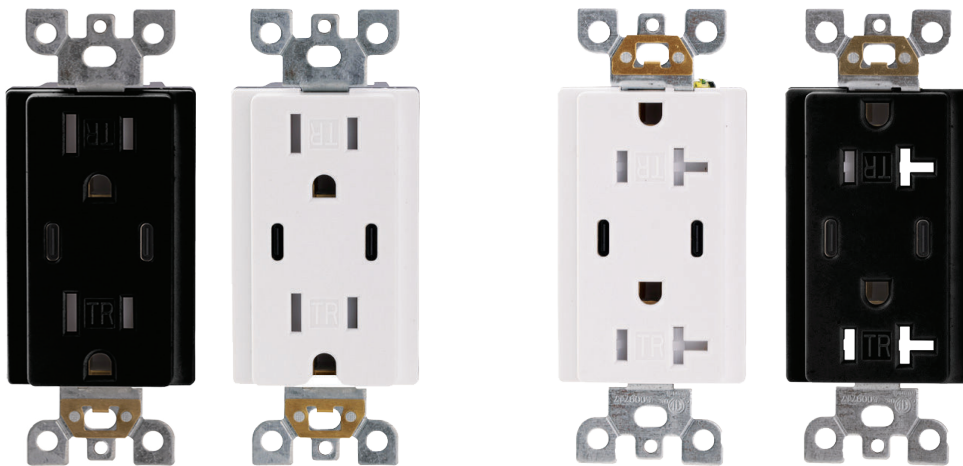


Project : _____
 Type : _____
 Drawn by : _____
 Catalogue No. : _____
 Date : _____



15A
BAA-025

20A
BAA-025D

Specifications

Model No.		<input type="checkbox"/> BAA-025/BK <input type="checkbox"/> BAA-025/WH	<input type="checkbox"/> BAA-025D/BK <input type="checkbox"/> BAA-025D/WH
General	Rated Voltage	120V,60Hz	120V,60Hz
	Rated Power	24W	24W
	Rated Current	15A	20A
	Power Supply	Neutral & Live Wire & Grounding	Neutral & Live Wire & Grounding
	Installation Method	In-wall	In-wall
	Application	Indoor	Indoor
	USB Rating	4.8A(total)	4.8A(total)
	Wires	12-14AWG	12-14AWG
	USB Compatibility	USB 3.0 / 2.0 / 1.1 devices, including Apple products	USB 3.0 / 2.0 / 1.1 devices, including Apple products
Physical	MOL	4.13in	4.13in
	MOW	1.69in	1.69in
	MOH	1.77in	1.77in
	Material	Plastic+Aluminum	Plastic+Aluminum
	Housing Color	White/Black	White/Black
	Weight (Kg)	0.11	0.11
Operating Environment	Operating Temperature	-20 °C (-4F) TO 60°C (140F)	-20 °C (-4F) TO 60°C (140F)
Additional Information	Stand	UL 498&CSA C22.2 No. 42-10	UL 498&CSA C22.2 No. 42-10
	Warranty	2 years	2 years
Compliance	Safety Listing	UL-Listed	UL-Listed
	Energy Star	No	No
	DLC Approved	No	No
	DLC ID	No	No

Features & Specifications

Construction

- Smart System: Built-in smart chip recognizes the individual device's charging requirement to optimize the charge.
- Safety: Fireproof housing and high-quality components for long service life.
- Unique 2 USB Ports: Charges two USB devices without adapters.
- Tamper resistant (TR): TR design increases the electrical safety level by preventing the attempting to insert objects in to the outlet or open the plate.
- A standard duplex receptacle
- Back and side wire for easy installation

Features

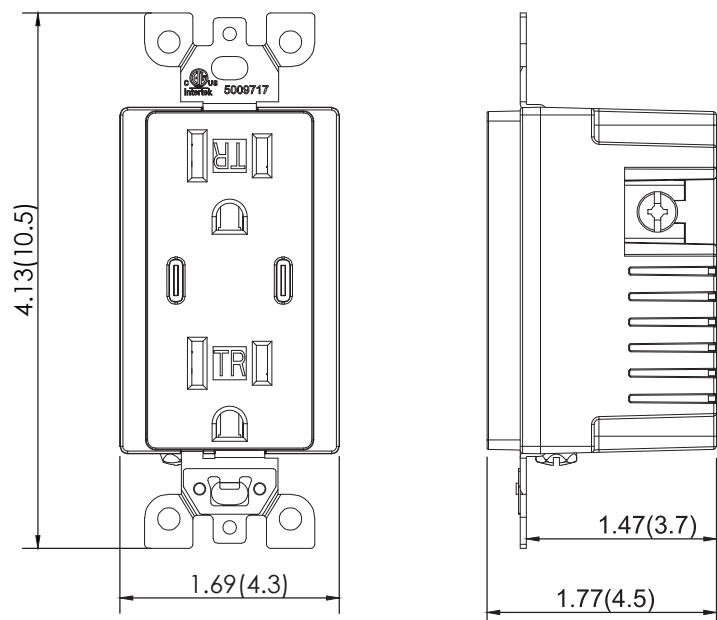
- 2 USB ports with a super high-current power of 4.8Amp, 5vdc
- Charge most compatible electrical device directly without an adapter
- Tamper-Resistant shutters provide compliance with 2011 NEC code

Compliances

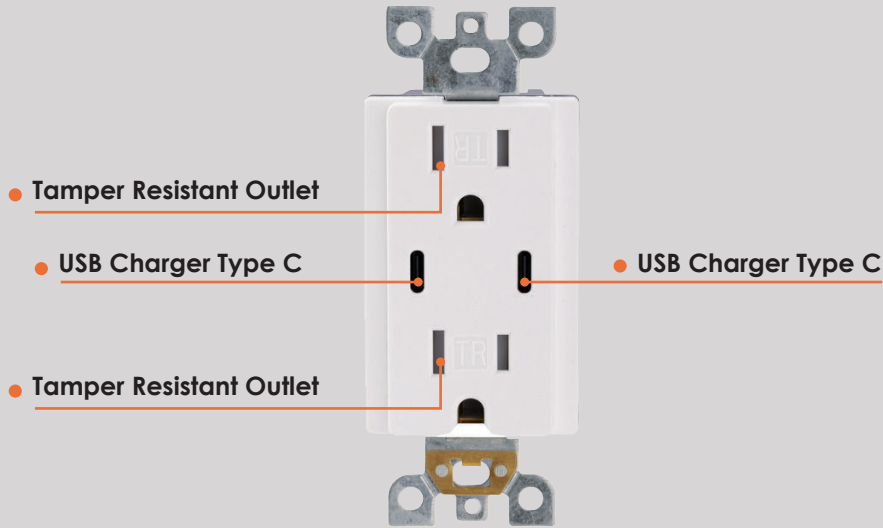
- UL certified

Dimensions & Weights

Model	BAA-025/BAA-025D
Length in.(cm)	4.13 (10.5)
Width in. (cm)	1.69 (4.3)
Height in. (cm)	1.77 (4.5)
Net weight (lbs)	0.11



Product Details



Typical Wiring Application

Turn off power at circuit breaker or fuse and test that power is off before wiring.

Install according to the wiring diagram above.

Carefully position all wires inside the wall-box, leaving enough space to insert the dimmer. Secure the dimmer with the provided mounting screws.

