



Project : \_\_\_\_\_  
 Type : \_\_\_\_\_  
 Drawn by : \_\_\_\_\_  
 Catalogue No. : \_\_\_\_\_  
 Date : \_\_\_\_\_



## Specifications

Model No.		□ MNLED-2202 -5K/BK	□ MNLED-2202 -5K/WH	□ MNLED-2202S -5K/BN	□ MNLED-2202S -5K/BK	□ MNLED-2202S -5K/WH	□ MNLED-2202S -5K/BN
General	Shape	Round	Round	Round	Square	Square	Square
	Size	2"	2"	2"	2"	2"	2"
	Watts	1W	1W	1W	1W	1W	1W
	HID Equivalent	10W	10W	10W	10W	10W	10W
	Lumen	20lm	20lm	20lm	20lm	20lm	20lm
	CCT	5000K	5000K	5000K	5000K	5000K	5000K
	Volts	DC12V	DC12V	DC12V	DC12V	DC12V	DC12V
	CRI	>80	>80	>80	>80	>80	>80
	Beam Angel	60°	60°	60°	60°	60°	60°
	Hours Rated	50000 hours	50000 hours	50000 hours	50000 hours	50000 hours	50000 hours
	Min Compartment Size	1-5/16"	1-5/16"	1-5/16"	1-5/16"	1-5/16"	1-5/16"
Electrical	Operating Frequency	60Hz	60Hz	60Hz	60Hz	60Hz	60Hz
	Power Factor	>0.9	>0.9	>0.9	>0.9	>0.9	>0.9
	Operating temperature	-20°C /-4°F to 40°C/104°F	-20°C /-4°F to 40°C/104°F	-20°C /-4°F to 40°C/104°F	-20°C /-4°F to 40°C/104°F	-20°C /-4°F to 40°C/104°F	-20°C /-4°F to 40°C/104°F
Physical	Housing Color	Black	White	Brushed Nickel	Black	White	Brushed Nickel
	Weight (kg)	0.044	0.044	0.044	0.05	0.05	0.05
Additional Information	Additional Info	1CCT	1CCT	1CCT	1CCT	1CCT	1CCT
	Rated For Enclosed Fixture	Yes	Yes	Yes	Yes	Yes	Yes
	Warranty	3 years	3 years	3 years	3 years	3 years	3 years
Compliance	Safety Listing	CETLus-Listed	CETLus-Listed	CETLus-Listed	CETLus-Listed	CETLus-Listed	CETLus-Listed
	Location Rating	DAMP	DAMP	DAMP	DAMP	DAMP	DAMP
	Energy Star	No	No	No	No	No	No
	DLC Approved	No	No	No	No	No	No
	DLC ID	No	No	No	No	No	No

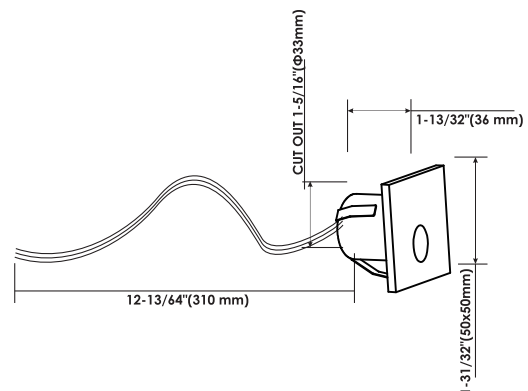
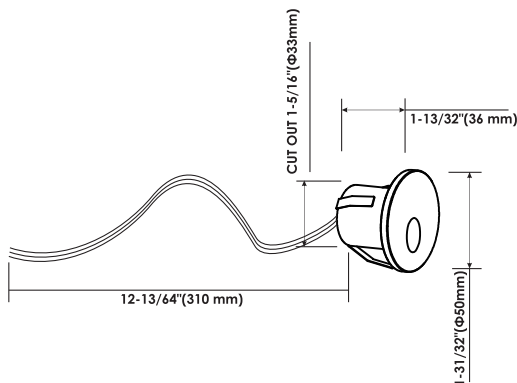


## Features & Specifications

<b>Construction</b>	<ul style="list-style-type: none"> <li>• Construction: One-piece die cast aluminum trim and heat sink construction</li> <li>• Precise optical lens, deep set for anti-glare and make light more soft for eyes</li> <li>• Panel of light is made by high quality die-casting aluminum, which is with light weight and anti-rust features</li> </ul>
<b>Mounting</b>	<ul style="list-style-type: none"> <li>• Recessed mounted by clips</li> </ul>
<b>Performance Data</b>	<ul style="list-style-type: none"> <li>• 1 CCT ( 5000K )</li> <li>• 80+ CRI</li> <li>• Electrical ratings: DC12V</li> <li>• Estimated life of over 50 000 hours</li> <li>• Operating temperature: -20°C /-4°F to 40°C/104°F</li> </ul>
<b>Compliances</b>	<ul style="list-style-type: none"> <li>• cETL certified for damp location</li> <li>• IP20/Indoor use only</li> </ul>

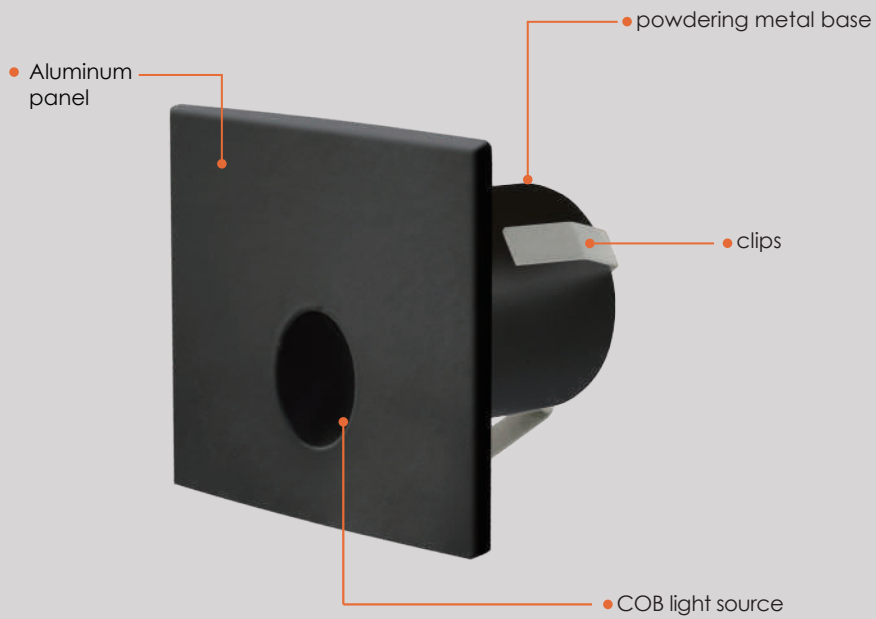
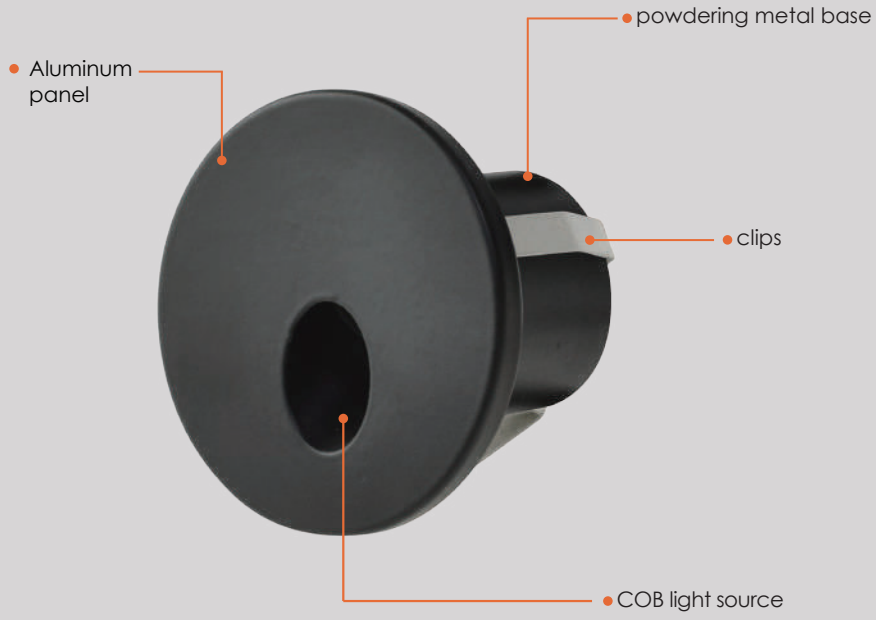
## Dimensions & Weights

Model No.	MNLED-2202-5K	MNLED-2202S-5K
Diameter in.(mm)	1-31/32"(Ø50mm)	/
length/width in.(mm)	/	1-31/32"(50mm)
Height in. (mm)	1-13/32"(36 mm)	1-13/32"(36 mm)
Net weight (lbs)	0.097	1.101





## Product Details





### Lumen Details

Model No.:	Watts (W)	5000K	
		Lumen Output (LM)	Efficiency (LM/W)
MNLED-2202-5K	1W	20LM	20LM/W
MNLED-2202S-5K	1W	20LM	20LM/W



Data is based upon tests performed in a controlled environment. Actual performance can vary depending on operating conditions. All products are subject to change or may be discontinued any time without notice. Please contact your Votatec customer service representative to confirm inventory levels at time of order

