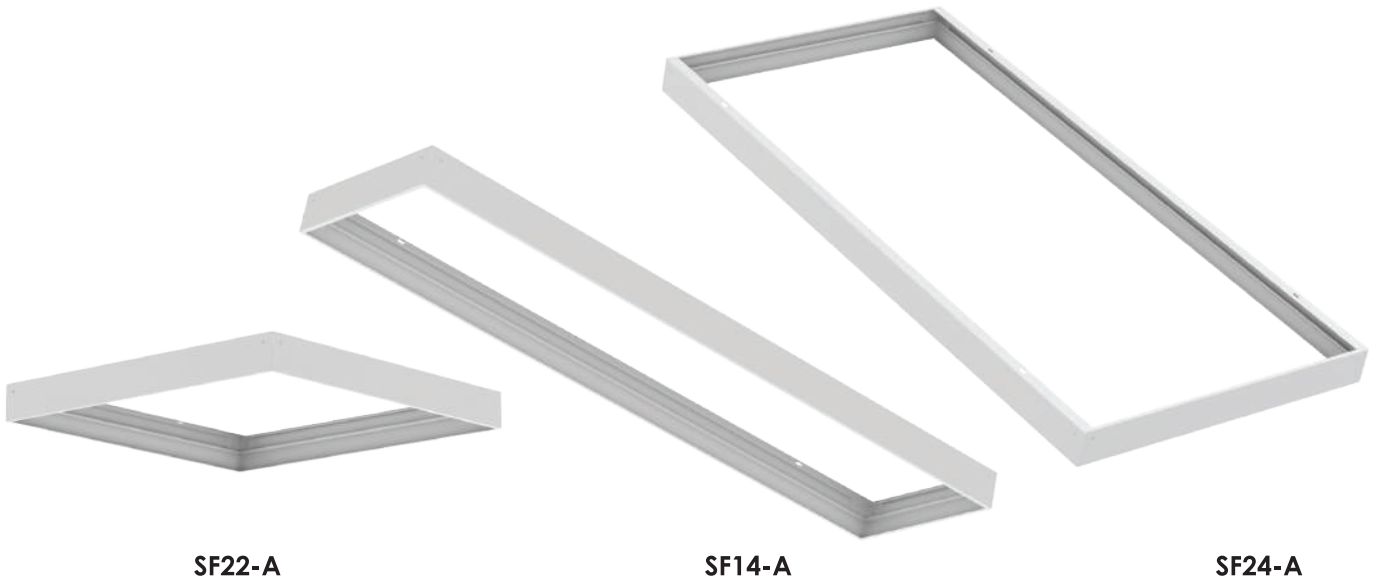


Project : \_\_\_\_\_  
Type : \_\_\_\_\_  
Drawn by : \_\_\_\_\_  
Catalogue No. : \_\_\_\_\_  
Date : \_\_\_\_\_



## Specifications

Model No.	Description
<input type="checkbox"/> SF14-A	Surface Mount Kit for 1'x4' panel
<input type="checkbox"/> SF22-A	Surface Mount Kit for 2'x2' panel
<input type="checkbox"/> SF24-A	Surface Mount Kit for 2'x4' panel

## Features & Specifications

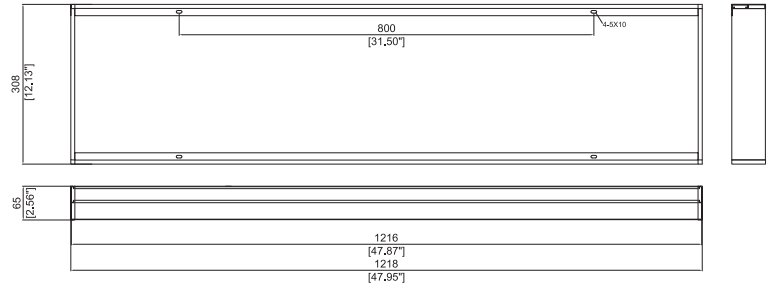
### Construction

- Aluminum Alloy & PC Material
- Easy Installation & Maintenance
- 5 years warranty

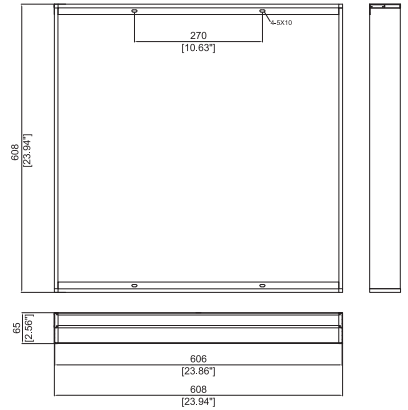
## Dimensions & Weights

Model	SF14-A	SF22-A	SF24-A
Length in.(mm)	47.95" ( 1218 mm )	23.94" ( 608 mm )	47.95" ( 1218 mm )
Wide in.(mm)	12.13" ( 308 mm )	23.94" ( 608 mm )	23.94" ( 608 mm )
Height in.(mm)	2.56" ( 65 mm )	2.56" ( 65 mm )	2.56" ( 65 mm )
Net Weight(Kg)	0.85 KG	0.62 KG	0.98 KG

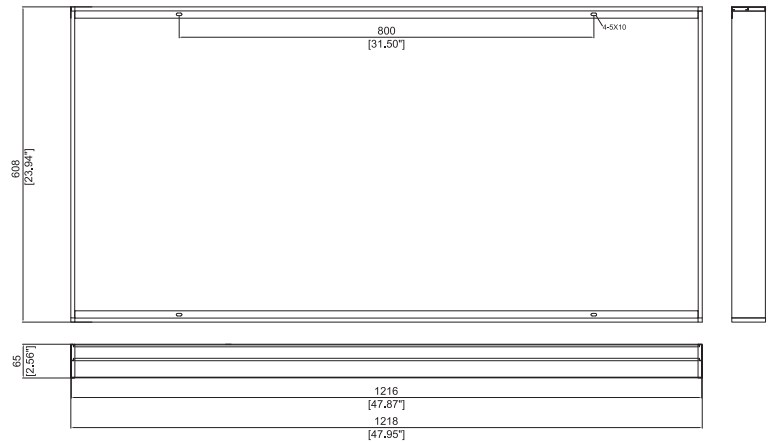
**1'X4'**



**2'X2'**

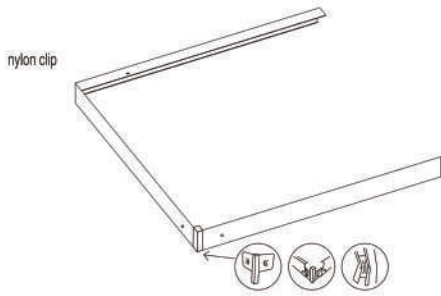


**2'X4'**

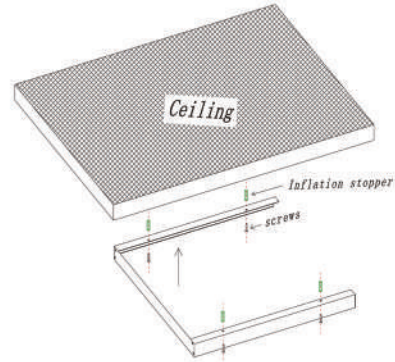


### Installation Instructions

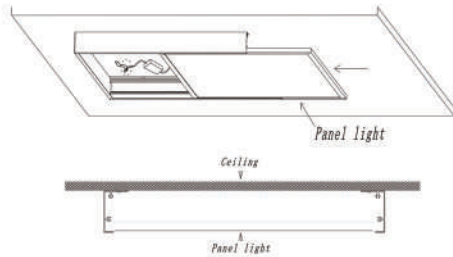
Ceiling Mounted Type: 1'X4' / 2'X2' / 2'X4'



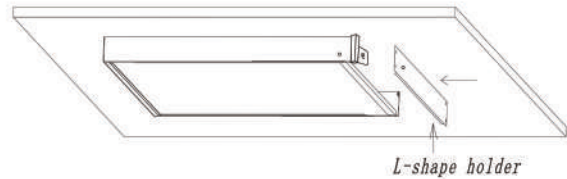
- 1 Install and fix the 3 pieces of Aluminium profile into together nylon clip



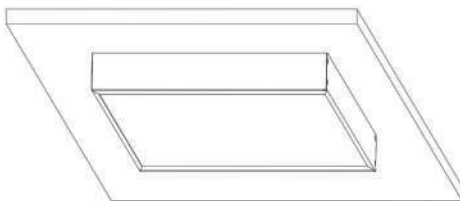
- 2 Install the fixed fixture with 3 sides on the ceiling



- 3 Place the LED panel into the fixture



- 4 Install the last shape Aluminium profile to the fixed fixtures with 3 sides



- 5 Turn on the power and light the luminair, finish the installation

