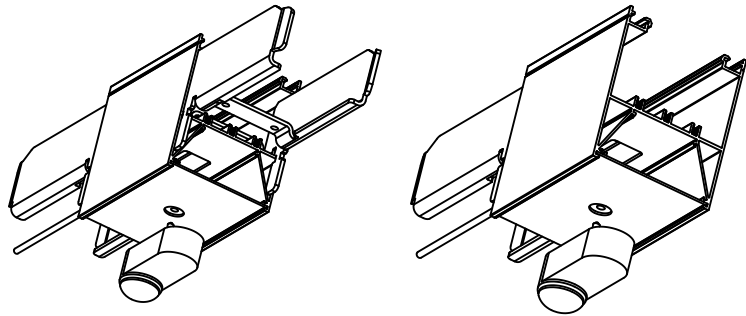




votatec
Innovation & Quality
www.votatec.ca

Base + Sensor For Linear Architectural Light User Manual



All the pictures are just for references.

Size

- Select the suitable luminous module according to the size of linear light.
- One sensor can control only 10pcs of 2FT/4FT AR linear; 5pcs only of 8FT linear.

SIZE	LINEAR LIGHT	Sensor Part
2FT	600 mm	Single End / Double End
4FT	1200 mm	Single End / Double End
8FT	2400 mm	Single End / Double End

Safety Information

CAUTION! Risk Of Electrical Shock

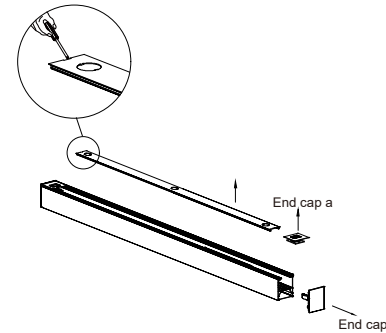
Turn off all power prior to installation by switching off circuit breaker or removing fuse at fuse box.

- This product should be installed by a certified electrician in accordance with relevant federal, state and local building and electrical codes

Common Failures & Solutions

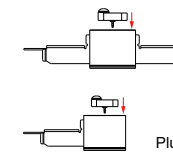
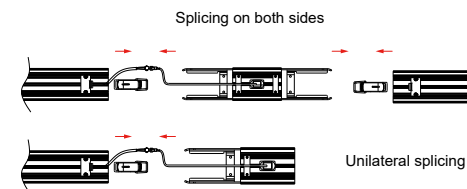
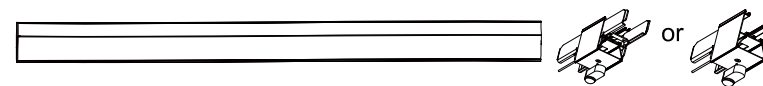
Common Failures	Solutions
Light is out	Ensure the lamp is well connected.
	Ensure the switch is turned on.
Flashing	Ensure the voltage is stable.
	Ensure the dimmer is compatible.

Sensor Part Joint Installation



1. Use a screwdriver to lift the top cover; Remove the magnetic end cap a and the spring end cap b by hand, as shown the left Figure.

2. Insert the splicing corners to one side of fixture, connect its electrical wire Sensor Part to the one from PCB ensure the PCB parts connected and power on.



Plug sensor in sensor base