

# Votatec

Innovation & Quality

www.votatec.ca

## INSTALLATION INSTRUCTION

### Notes

1. Do not use an electric generator to test the LED lamp.
2. Please comply with all applicable national, regional, and local laws and regulations when installing this fixture.
3. To avoid electric shock or damage, do not install the light during rainy conditions.

### Safety Warnings

1. To prevent electric shock or fire risk, installation must be performed by a qualified electrician or personnel with professional electrical knowledge.
2. Please wear gloves before installation to avoid injury.
3. During or after installation, if smoke, fire, or abnormal conditions occur in the wiring or lamp, immediately turn off the power and notify qualified personnel for inspection and repair.
4. This light is suitable for outdoor installation.

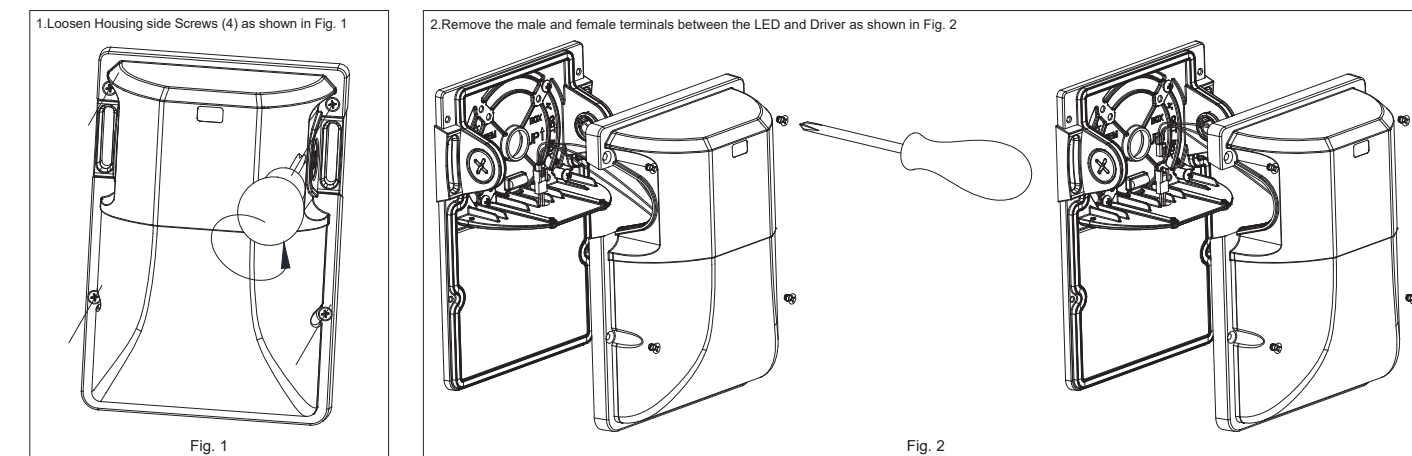
### Dimming Information

This product is available with 0-10V DC constant current dimming

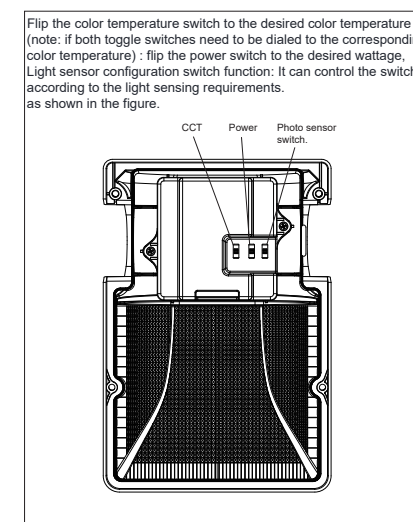
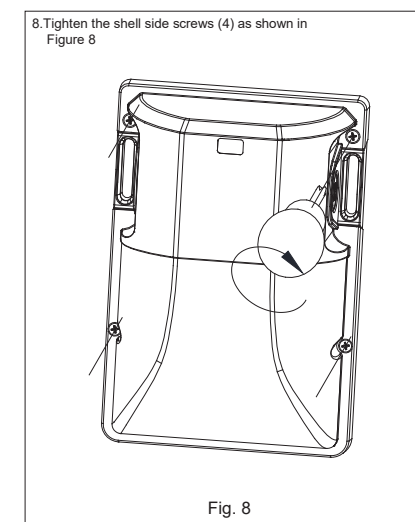
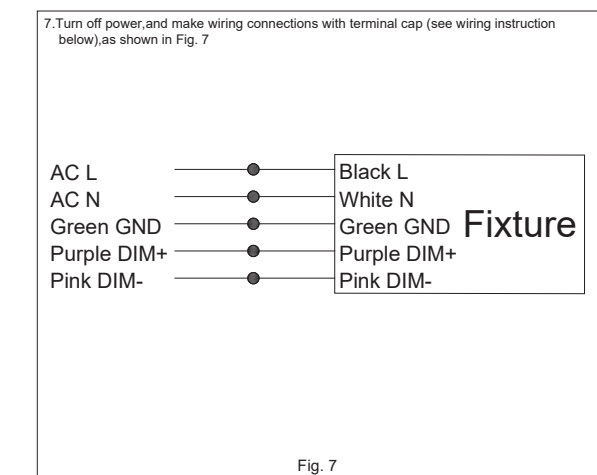
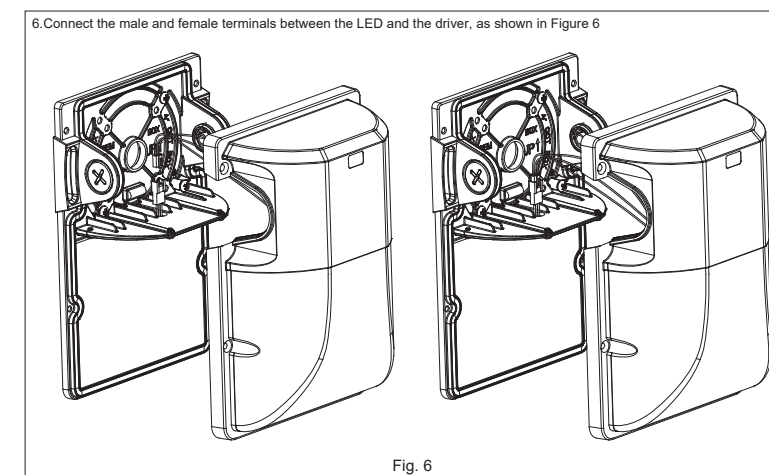
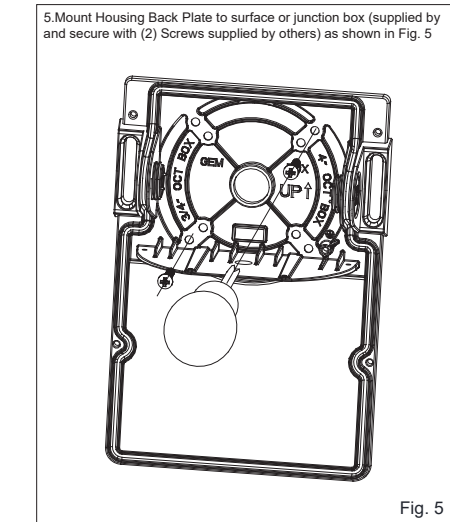
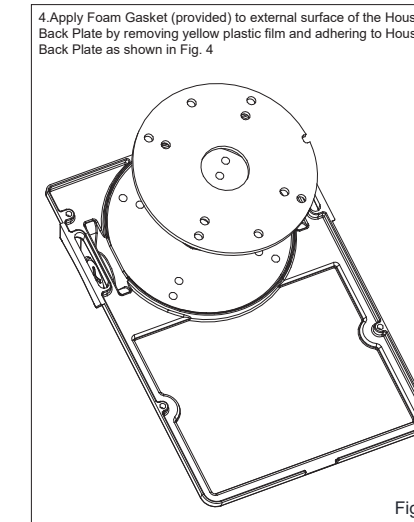
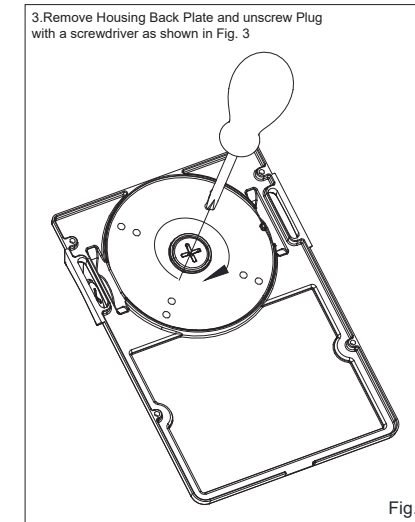
### General Instructions

1. Installation and maintenance must be carried out by qualified electricians or professionals.
2. Always disconnect the power supply before installation or maintenance.
3. Thermally insulating materials must not cover the fixture.
4. Keep the fixture away from corrosive substances and maintain it in a clean and dry condition.
5. Operating temperature: -40°F to 113°F
6. Storage temperature: -40°F to 176°F

### Preparation before installation



## Mini Wall Pack



### Mini Photocell

Part Number	Test Environment	Start-up delay(S)	Off delay(S)	Startup illuminance value(Lux)	Off illuminance value(Lux)	Environment Temperature	Humidity	Precautions
Mini Photocell	Natural light	N/A	N/A	≤30	≥80	-40°C~+45°C	99%RH	During installation and operation, ensure the sensor head is unobstructed and light transmission is unimpaired.

- THIS PRODUCT MUST BE INSTALLED IN ACCORDANCE WITH THE APPLICABLE INSTALLATION CODE BY A PERSON FAMILIAR WITH THE CONSTRUCTION AND OPERATION OF THE PRODUCT AND THE HAZARDS INVOLVED