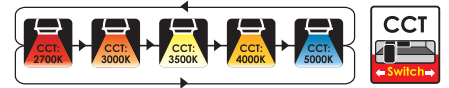


Project : _____
 Type : _____
 Drawn by : _____
 Catalogue No. : _____
 Date : _____



Specifications

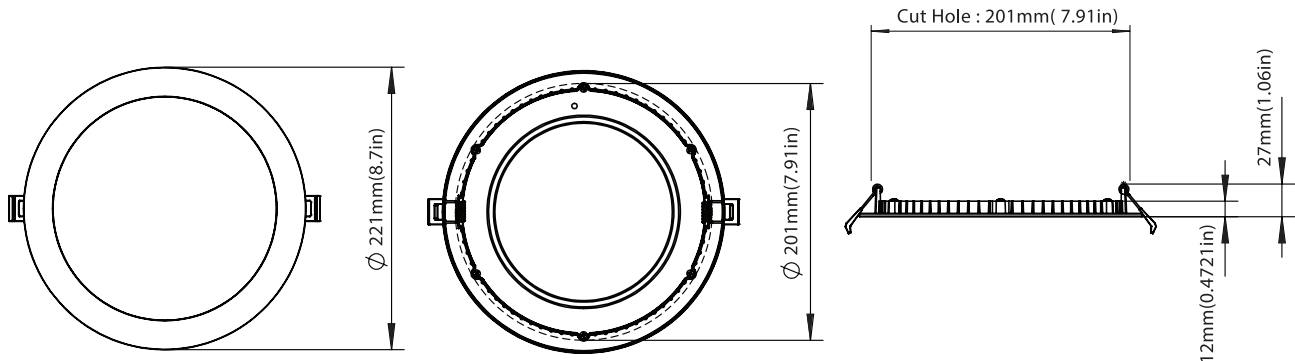
Model No.		VO-RP8W18-347-DD-5WAY
General	Watts	18W
	HID Equivalent	100W
	Lumen	1700LM
	CCT	2700K/3000K/3500K/4000K/5000K
	Volts	100-347V
	CRI	>80
	Beam Angle	110°
	Hours Rated	50000 hours
	Min Compartment Size	Ø8.7"x1.06"
Electrical	Operating Frequency	50-60Hz
	Power Factor	>0.9
	Operating Position	Recessed In Ceiling
	Surge Protection	Built-in surge protection-2.5KV
	Operating Temperature	-20°C /-4°F to 40°C/104°F
Physical	Lens Material	PS
	Housing Color	White
	Weight (Kg)	0.471
Additional Information	Additional Info	5Way CCT , Double dimmable
	Rated For Enclosed Fixture	Yes
	Warranty	5 years
Compliance	Safety Listing	CETLus-Listed
	Location Rating	Damp Location
	Energy Star	Yes
	DLC Approved	No

Features & Specifications

Construction	<ul style="list-style-type: none"> • Construction: Aluminum trim with PS diffuser • Multiple LED array for uniform illumination • CCT switches are placed discretely outside the driver housing
Mounting	<ul style="list-style-type: none"> • Easy installation for remodel or new construction applications
Performance Data	<ul style="list-style-type: none"> • Available in 2700k/3000k/3500k/4000k/5000k selectable color temperature • 80+ CRI • Electrical ratings: 120-347V • Estimated life of over 100 000 hours to L70 • 0-10V&Triac Dimming • 2.5kV surge protection (standard) • Operating temperature: -20°C /-4°F to 40°C/104°F
Compliances	<ul style="list-style-type: none"> • cETL certified for damp location • IP20 • ES listed

Dimensions & Weights

Model	RP8W18
Diameter in.(mm)	8.7(221)
Height in. (mm)	1.06(27)
Net weight (lbs)	1.285



Product Details



Compatible TRIAC Dimmers

BRAND	MODEL
HILUTRON	DVCL-153PLH
LUTRON	S600-P
LUTRON	DV600-P15
LUTRON	MACL-153M
LUTRON	CTCL-153P
LUTRON	MS-OPS2
LUTRON	CTCL-153P
LUTRON	PD-6WCL
LEVITON	6674
LEVITON	6681

Dimming range : 10%-100%

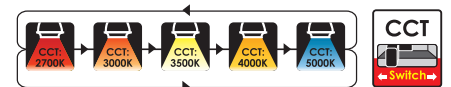
This table shows dimmers that have been tested and have demonstrated proper operation under normal conditions. Each installation being unique, various factors such as load, common neutrals or other electrical products on the circuit can, in certain instances, cause variance in system performance. Read and comply to the dimmer installation instructions. Some dimmers may require more than one product for stable operation.

Recommends to use dimmers designed to work with LED products. Older dimmers designed for incandescent products may cause erratic operation.

The fixture supports a wide voltage range of 120-347V and is designed for both 0-10V dimming and standard 120V TRIAC dimming.

Lumen Details

Model No.:	Watts (W)	2700K		3000K		3500K		4000K		5000K	
		Lumen Output (LM)	Efficiency (LM/W)	Lumen Output (LM)	Efficiency (LM/W)	Lumen Output (LM)	Efficiency (LM/W)	Lumen Output (LM)	Efficiency (LM/W)	Lumen Output (LM)	Efficiency (LM/W)
VO-RP8W18-347-DD-5WAY	18W	1709LM	94.94	1722LM	95.67	1729LM	96.06	1736LM	96.44	1738LM	96.56



Data is based upon tests performed in a controlled environment. Actual performance can vary depending on operating conditions. All products are subject to change or may be discontinued any time without notice. Please contact your Votatec customer service representative to confirm inventory levels at time of order

