

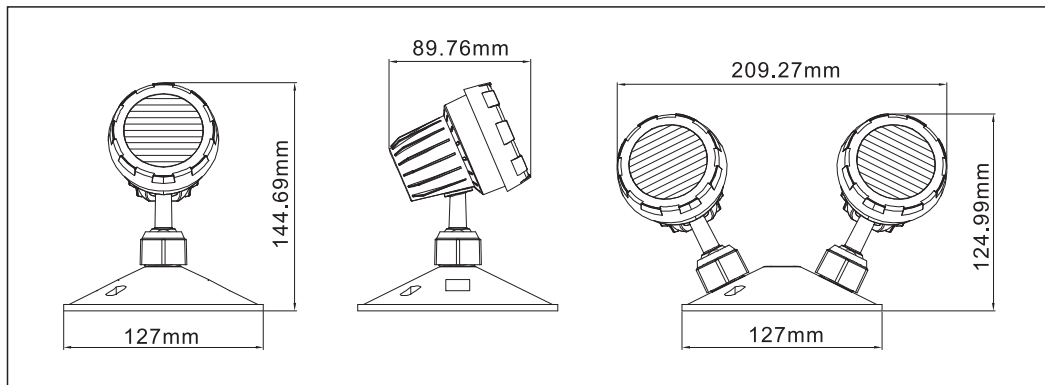
1.EXTERNAL

This series is constructed of high impact thermoplastic. Clear PC lens and aluminum reflector provide bright illumination. Adjustable swivel locks the head in position. Standard canopy is designed to mount directly to typical electrical junction boxes.

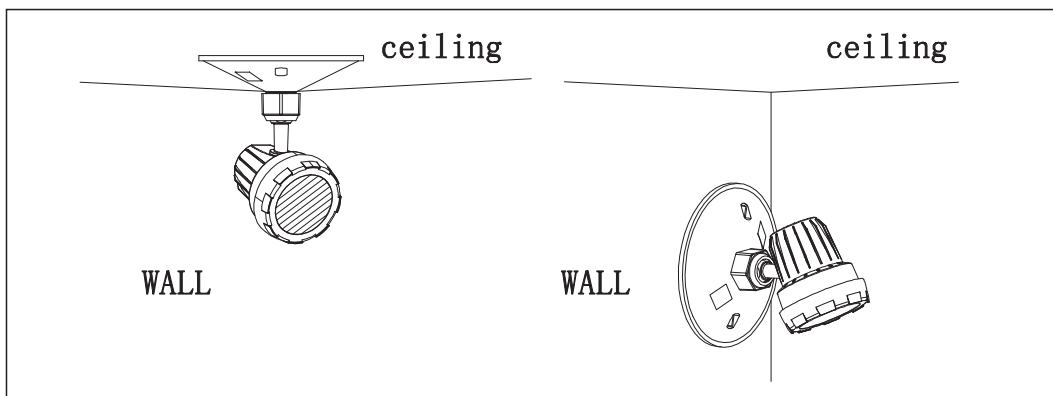
2.MECHANICAL

Model Number	Input Ratings		
	Vdc	A	W
CM-201F-5W	6-24V	0.95-0.22A	5W
CM-202F-10W	6-24V	1.89-0.43A	10W

3.SIZE



4.INSTALLATION LOCATION



5.ATTENTION

IMPORTANT SAFEGUARDS

When using electrical equipment, basic safety precautions should always be followed, including the following:

- Read and follow all safety instructions.
- Do not let power cords touch hot surfaces.
- Do not install near gas or electric heaters.

- The use of accessory equipment not recommended by manufacturer, may cause an unsafe condition, and will void the unit's warranty.
- Do not use this equipment for other than its intended purpose.
- Servicing of this equipment should be performed by qualified service personnel.
- Save these instructions for future reference.
- Do not use outdoors.

• OPERATION INSTRUCTIONS

• INSTALLATION (Fig. 1)

- Make wires connections. Observe polarity (if required); connect the lamp to the DC supply wires; positive and negative are identified with labels on each wire (when indicated).
- Install the canopy to the Junction Box with the Mounting Screws (not included).
- Install the lamp(s) gently to avoid breaking the pins.
- Apply power.

• HEADS ADJUSTMENT (Fig. 2)

Rotation- To rotate the heads, unscrew the nut of the base attach under the canopy, enough to let you rotate the heads to the desired position. Tighten the nut gently to fix the position of the heads.

WARNING! Tightening the set nut too hard can break the head's feet and alter the efficiency of the product.

Tilt- To tilt the heads, hold and tilt up or down to the desired position.

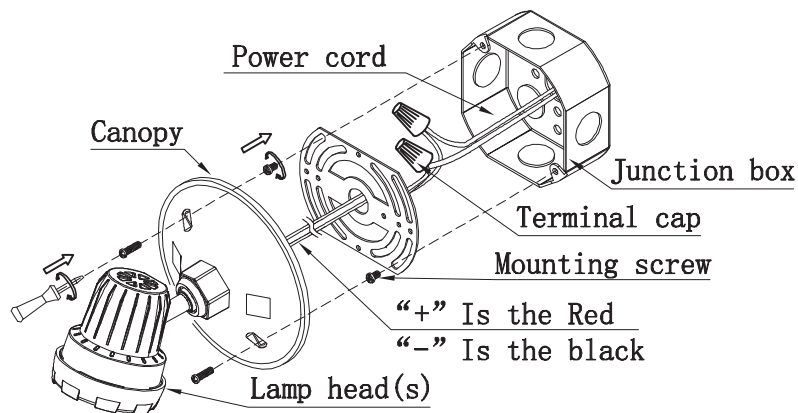


Fig. 1

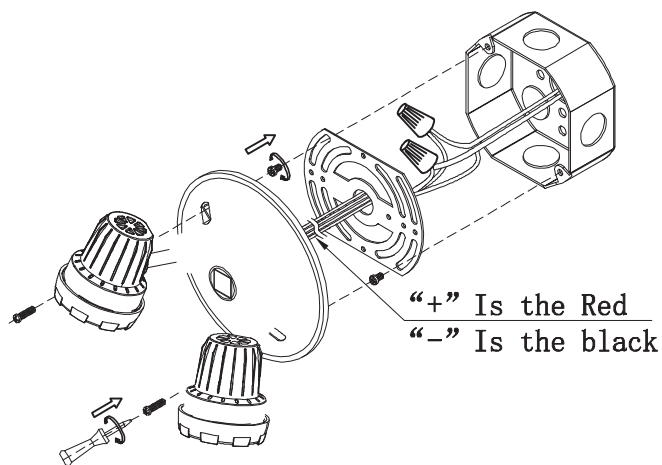


Fig. 1

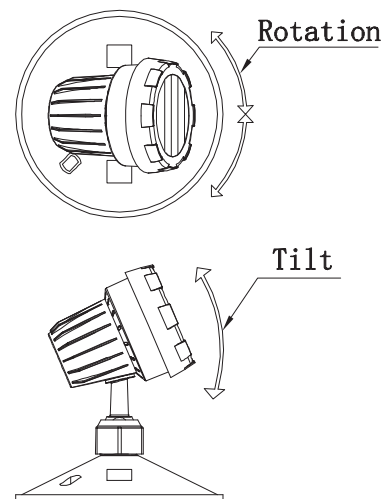


Fig. 2