

Project : _____
 Type : _____
 Drawn by : _____
 Catalogue No. : _____
 Date : _____



Specifications

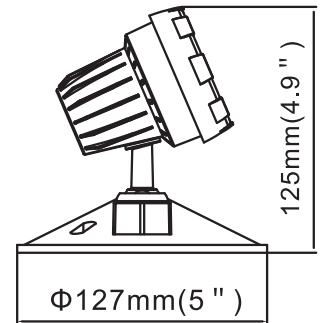
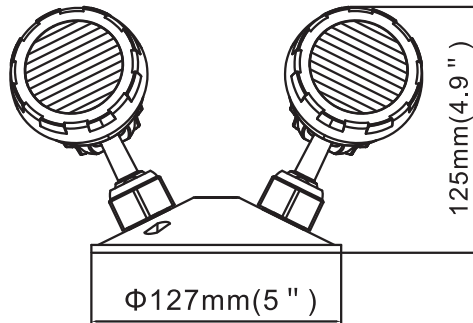
Model No.		CM-202F-10W
General	Input Watt	10W
	Lumen	940 Lm
	CCT	6000-6500K
	Volts	DC6V-24V
	CRI	>80
	Beam Angle	30 Degree
	Hours Rated	50000 hours
	Dimension	Ø5" X 4.9"
Electrical	Operating Frequency	50/60 Hz
	Power Factor	>0.5
	Operating Temperature	0°C (32°F) - 30°C (86°F)
Physical	Lens Material	PC
	Housing Color	White
	Weight(Kg)	0.4
Additional Information	Warranty	5 Years
	MAX. Remote LOAD	No
Compliance	Safety Listing	CSA
	Location Rating	Damp
	Energy Star	No
	DLC Approved	No

Features & Specifications

Construction	<ul style="list-style-type: none"> • Thermal plastic heads • High efficiency LED
Mounting	<ul style="list-style-type: none"> • Universal wall mount
Performance Data	<ul style="list-style-type: none"> • 6-24VDC input • Two 5W LED heads
Compliances	<ul style="list-style-type: none"> • Damp locations • CSA meets all requirement in C22.2 No.141 -15, Suitable for Canada market

Dimensions & Weights

Model	CM-202F-10W
Length in.(cm)	5 (12.7)
Width in.(cm)	5 (12.7)
Height in.(cm)	4.9 (12.5)
Weight(kg)	0.4



Product Details

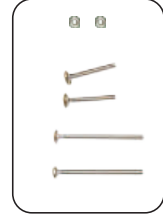


Accessories

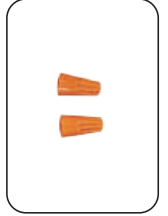
Order Code	Order Option
Spider Plate	Included
Screws & Bushing	Included
Wire Nut	Included



Spider Plate



Screws & Bushing



Wire Nut

Rating Table

Model No.	Input Ratings				Emergency Output Ratings		Emergency Run Time	Recharge Time
	Vdc	Hz	Amps (ma)	watts	Integral	Remote	Minutes	Hours
CM-202F-10W	6V-24V	/	1890-430	10W	10W	/	/	/

