

Project : \_\_\_\_\_  
 Type : \_\_\_\_\_  
 Drawn by : \_\_\_\_\_  
 Catalogue No. : \_\_\_\_\_  
 Date : \_\_\_\_\_



## Specifications

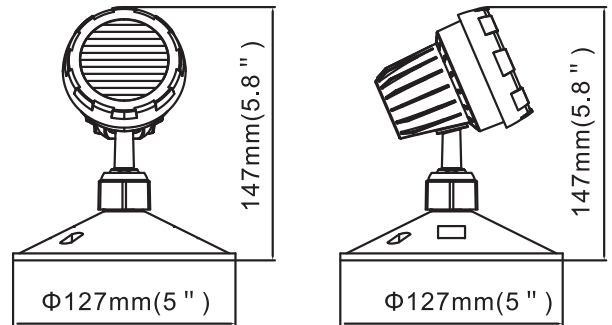
Model No.		CM-201F-5W
General	Input Watt	5W
	Lumen	460 Lm
	CCT	6000-6500K
	Volts	DC6V-24V
	CRI	>80
	Beam Angle	30 Degree
	Hours Rated	50000 hours
	Dimension	Ø5" X 5.8"
Electrical	Operating Frequency	50/60 Hz
	Power Factor	>0.5
	Operating Temperature	0°C (32°F) - 30°C (86°F)
Physical	Lens Material	PC
	Housing Color	White
	Weight(Kg)	0.26
Additional Information	Warranty	5 Years
	MAX. Remote LOAD	No
Compliance	Safety Listing	CSA
	Location Rating	Damp
	Energy Star	No
	DLC Approved	No

### Features & Specifications

<b>Construction</b>	<ul style="list-style-type: none"> <li>• Thermal plastic heads</li> <li>• High efficiency LED</li> </ul>
<b>Mounting</b>	<ul style="list-style-type: none"> <li>• Universal wall mount</li> </ul>
<b>Performance Data</b>	<ul style="list-style-type: none"> <li>• 6-24VDC input</li> <li>• 5W LED heads</li> </ul>
<b>Compliances</b>	<ul style="list-style-type: none"> <li>• Damp locations</li> <li>• CSA meets all requirement in C22.2 No.141 -15, Suitable for Canada market</li> </ul>

### Dimensions & Weights

Model	CM-201F-5W
Length in.(cm)	5 (12.7)
Width in.(cm)	5 (12.7)
Height in.(cm)	5.8 (14.7)
Weight(kg)	0.26



### Product Details

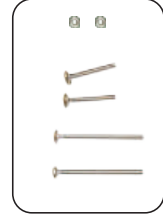


### Accessories

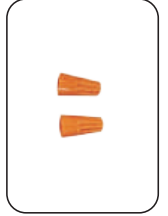
Order Code	Order Option
Spider Plate	Included
Screws & Bushing	Included
Wire Nut	Included



Spider Plate



Screws & Bushing



Wire Nut

### Rating Table

Model No.	Input Ratings				Emergency Output Ratings		Emergency Run Time	Recharge Time
	Vdc	Hz	Amps (ma)	watts	Integral	Remote	Minutes	Hours
CM-201F-5W	6V-24V	/	950-220	5W	5W	/	/	/



Data is based upon tests performed in a controlled environment. Actual performance can vary depending on operating conditions. All products are subject to change or may be discontinued any time without notice. Please contact your Votatec customer service representative to confirm inventory levels at time of order

