

Project : _____
 Type : _____
 Drawn by : _____
 Catalogue No. : _____
 Date : _____



Specifications

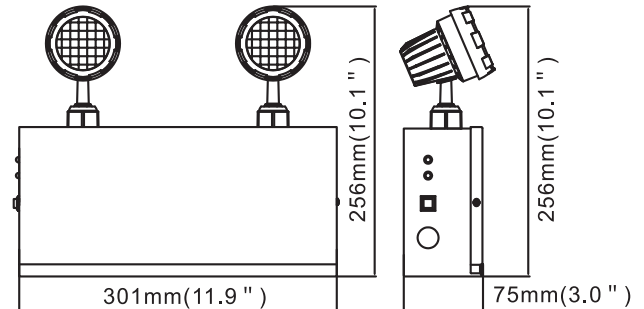
Model No.		CM-212B-RA-F
General	Input Watt	3-6W
	Lumen	230 Lm
	CCT	6000-6500K
	Input Voltage	AC120V-347V
	Output Voltage	6V
	CRI	>80
	Beam Angle	30 Degree
	Hours Rated	50000 hours
Electrical	Dimension	11.9" X 3.0" X 10.1"
	Operating Frequency	50/60 Hz
	Power Factor	>0.5
Physical	Operating Temperature	5°C To 30°C (41°F To 86°F)
	Lens Material	PC
	Housing Color	White
Additional Information	Weight(Kg)	2.6
	Additional Info	Remote Head
	Warranty	5 Years
Compliance	MAX. Remote LOAD	36W
	Safety Listing	CSA
	Location Rating	Damp
	Energy Star	No
	DLC Approved	No

Features & Specifications

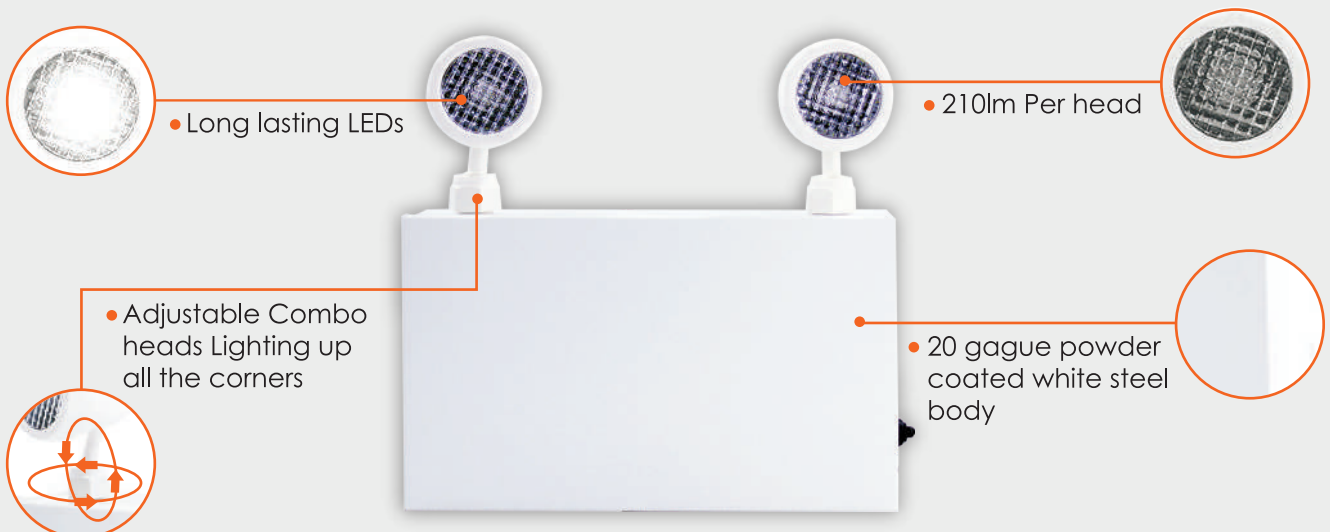
Construction	<ul style="list-style-type: none"> • Steel housing and thermal plastic remote heads • High efficiency LED • Include 3ft power cord
Mounting	<ul style="list-style-type: none"> • Universal wall mount
Performance Data	<ul style="list-style-type: none"> • 120/347VAC input • 6V 6Ah lead acid battery • Two 2W LED heads • Diagnostic/pilot LED for AC ON and Charge • Push button test switch • Charging time: 24 hours
Compliances	<ul style="list-style-type: none"> • Damp locations • CSA meets all requirement in C22.2 No.141 -15, Suitable for Canada market

Dimensions & Weights

Model	CM-212B-RA-F
Length in.(cm)	11.9 (30.1)
Width in.(cm)	3 (7.5)
Height in.(cm)	10.1 (25.6)
Weight(kg)	2.6



Product Details



Accessories

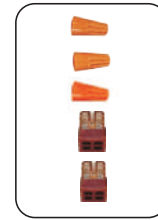
Order Code	Order Option
Spider Plate	Included
Screws & Bushing	Included
Wire Nut	Included
Power Cord	Included



Spider Plate



Screws & Bushing



Wire Nut



Power Cord

Rating Table

Model No.	Input Ratings				Emergency Output Ratings		Emergency Run Time	Recharge Time
	Vac	Hz	Amps (ma)	watts	Integral	Remote	Minutes	Hours
CM-212B-RA-F	120-347V	50/60	190-270	3-6W	2*2W	36W	30	24

Battery Back Up Details

Model	Battery Backup Time
2W	9 Hours
9W	120 mins
12W	90 mins
36W	30 mins



Data is based upon tests performed in a controlled environment. Actual performance can vary depending on operating conditions. All products are subject to change or may be discontinued any time without notice. Please contact your Votatec customer service representative to confirm inventory levels at time of order

